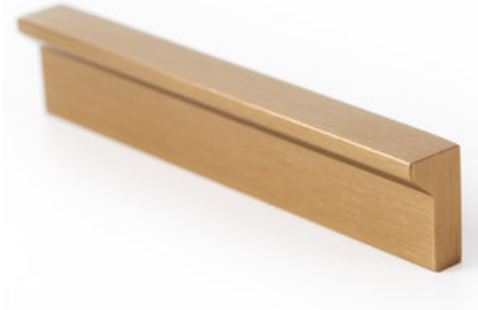


PULL ANGLE 64MM BRUSH DK BRASS

Part Number: V0077064L29



Angle Pull, 64mm, Brushed Dark Brass

Angle is an aluminum pull that complements most modern / contemporary and designer aesthetics.

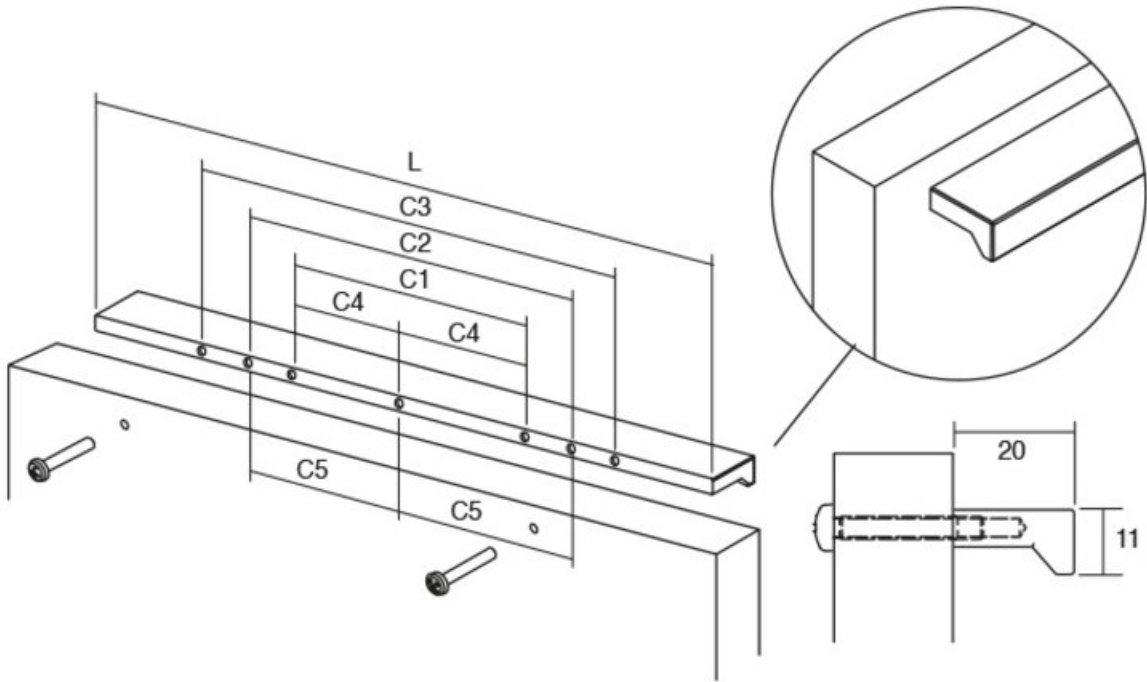
Center to Center Length	64 mm
Colour Group	Gold
Finish Code	Brushed Dark Brass
Mounting Type	M4 Machine Screw
Overall Length	100 mm
Projection (Height)	20 mm

Product Description

There exists a multitude of enduringly successful handle designs, and one such exemplar is the Angle handle. Over the past three catalog releases, we have consistently featured this aluminum masterpiece, as it continues to captivate our customers just as it did from its inception. The Angle handle finds its niche as an ideal choice for bathroom furniture. Its unobtrusive yet functional design, coupled with a subtle front groove that adds an extra touch of elegance, renders it a versatile element capable of seamlessly complementing diverse decorative styles without overwhelming them.

Available in a wide range of sizes, spanning from 100mm to 900mm, the Angle handle effortlessly integrates into furniture pieces of varying widths. It offers versatility in finishes, with options including shiny chrome, stainless steel appearance, black, and white. These finishes harmonize beautifully with wooden or varnished surfaces in black, white, or vivid hues, and even with metal panels. The key lies in exploring the possibilities and discovering the perfect combination that resonates with your unique aesthetic preferences.

Technical Documents



View this product online at <https://marathonhardware.com/pd/V0077064L29>

Technical Documents



View this product online at <https://marathonhardware.com/pd/V0077064L29>

