

## Fusion Rear panel connector

**Part Number: 115-FS-RC**



M-Series Fusion, Rear Panel Connector

Secure the rear drawer panel to the drawer bottom.

Drawer System -----	M-Series Fusion
Drawer Type -----	Standard Drawer
Mounting Type -----	Screw-on

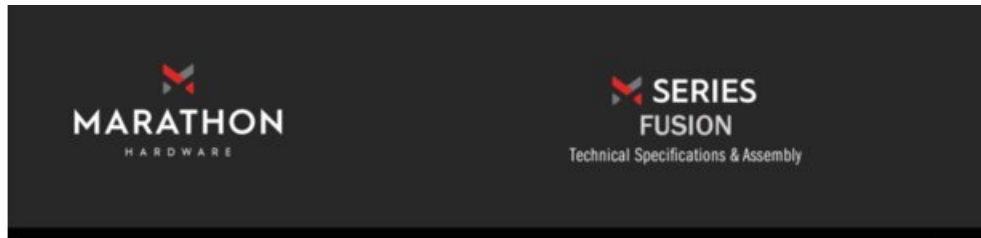
### Product Description

The Fusion Slim Wall is the first drawer system offered as part of our M-Series lineup of quality, cost effective functional hardware.

Fusion is available in multiple heights and lengths, two colours, and features 6-way drawer front adjustment. These features offer the highest level of convenience and selection at one of the lowest price points on the market.

-----

## Technical Documents



### M-Series Fusion



### Product Features

The M-Series Fusion is a cost effective slim wall drawer system. Powered by the M-Series AEON undermount slide, this sleek and stylish system can be featured in new builds, renovations, or retrofits.

- 4 Heights (88mm/126mm/172mm/205mm)
- 7 Lengths available (270mm-550mm)
- Built-in rear bracket
- Depth adjustment +/- 4mm
- Side adjustment +/- 1.5mm
- Height adjustment +/- 1.5mm
- System 32 compliant (AEON slide)
- 2 Colours: Lunar White and Storm Grey
- Limited Lifetime Warranty
- Load capacity: 35kg (77lbs)

### What's In the Box

- Set of left and right side walls
- Front fixing brackets
- Set of two M-Series AEON undermount slides



### Accessory Items - Front Fixing Brackets & Connectors

Height	Part#	Fixing Method	Quantity/Box
88mm	115-FS88FF-IOED	10mm Expansion Dowel	100
88mm	115-FS88FF-W5	Screw-on	100
126mm	115-FS126FF-IOED	10mm Expansion Dowel	100
126mm	115-FS126FF-W5	Screw-on	100
172mm / 205mm	115-FS172FF-FS205FF-IOED	10mm Expansion Dowel	100
172mm / 205mm	115-FS172FF-FS205FF-W5	Screw-on	100
88mm / 126mm / 172mm / 205mm	115-FS-RC	Screw-on	1000

800.840.1228 / MARATHONHARDWARE.COM

View this product online at <https://marathonhardware.com/pd/115-FS-RC>



## Technical Documents



**MARATHON**  
HARDWARE

# M-Series FUSION



800.840.1228 | MARATHONHARDWARE.COM

**M SERIES**

**INTRODUCING** M-Series Fusion

The M-Series Fusion is a cost effective slim wall drawer system. Powered by the Aeon undermount slide (sold as a separate part number), this sleek and stylish system can be featured in new builds, renovations, or retrofits.

**Product Features:**

- 4 Heights (88mm/126mm/172mm/205mm)
- 7 Lengths (270mm-550mm)
- Built-in rear bracket
- 6 Way adjustment
- System 32 compliant (AEON slide)
- 2 Color: Lunar White and Storm Grey
- Limited Lifetime Warranty
- Load capacity: 35kg

View this product online at <https://marathonhardware.com/pd/115-FS-RC>


## Technical Documents



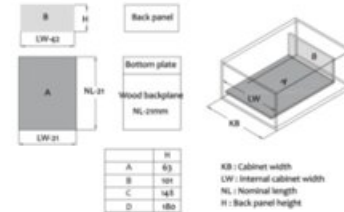
# MARATHON

### FUSION - AEON Full-Extension

#### What's in the Box



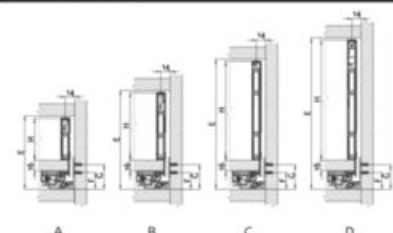
#### Cutting Dimensions of 16mm thick Material




A	83
B	101
C	145
D	180

KB : Cabinet width  
 LW : Internal cabinet width  
 NL : Nominal length  
 H : Back panel height

#### Installation Dimensions

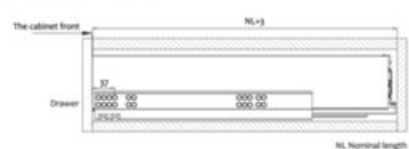


#### Front Panel Drilling Dimensions



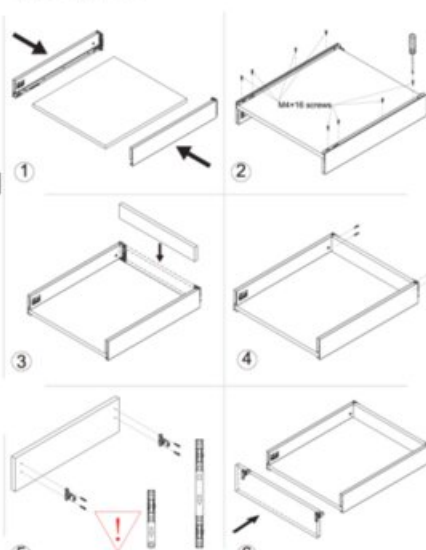
	E (mm)	F (mm)	G (mm)	J (mm)	K (mm)	L (mm)
A	110	145	155	37-5	49	32
B	145	180	190	37-5	49	32
C	180	215	225	37-5	49	32
D	215	250	260	37-5	49	32

#### Installation Dimensions

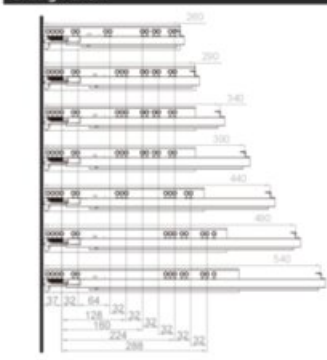


NL: Nominal length

#### Drawer Installation



#### Drilling Pattern



View this product online at <https://marathonhardware.com/pd/115-FS-RC>

