

Fusion Slim wall H172 400mm Storm Grey



Part Number: 115-FS172-SG400

M-Series Fusion Side Wall, 400mm Length, 172mm Height, Storm Grey

Side wall for standard drawers.

Adjustment Description	6-Way
Colour	Storm Grey
Drawer Side Height	172 mm
Drawer System	M-Series Fusion
Drawer Type	Standard Drawer
Length	400mm (16")
Load Capacity	35kg

Product Description

The Fusion Slim Wall is the first drawer system offered as part of our M-Series lineup of quality, cost effective functional hardware.

Fusion is available in multiple heights and lengths, two colours, and features 6-way drawer front adjustment. These features offer the highest level of convenience and selection at one of the lowest price points on the market.

Product Advantages

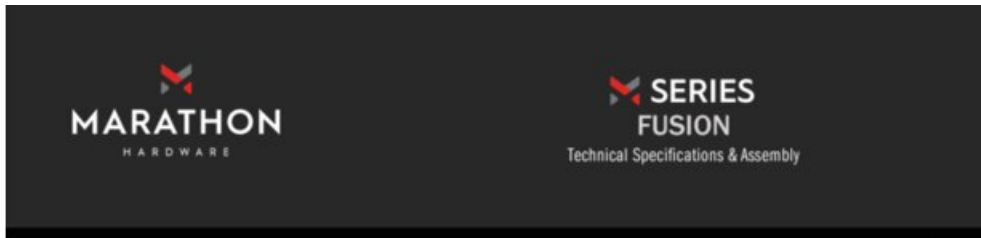
- Height: 172mm
- Length: 400mm
- Built-in rear bracket
- 6 Way adjustment
- System 32 compliant (AEON slide)
- Colour: Storm Grey
- Limited Lifetime Warranty
- Load capacity: 35kg

Important Information

Please Note: This is for side wall only. The AEON20 slide is a requirement for this kit, which is sold as a separate item. Be sure to select the correct slide length for your drawer system.



Technical Documents



M-Series Fusion



Product Features

The M-Series Fusion is a cost effective slim wall drawer system. Powered by the M-Series AEON undermount slide, this sleek and stylish system can be featured in new builds, renovations, or retrofits.

- 4 Heights (88mm/126mm/172mm/205mm)
- 7 Lengths available (270mm-550mm)
- Built-in rear bracket
- Depth adjustment +/- 4mm
- Side adjustment +/- 1.5mm
- Height adjustment +/- 1.5mm
- System 32 compliant (AEON slide)
- 2 Colours: Lunar White and Storm Grey
- Limited Lifetime Warranty
- Load capacity: 35kg (77lbs)

What's In the Box

- Set of left and right side walls
- Front fixing brackets
- Set of two M-Series AEON undermount slides



Accessory Items - Front Fixing Brackets & Connectors

Height	Part#	Fixing Method	Quantity/Box
88mm	115-FS88FF-IOED	10mm Expansion Dowel	100
88mm	115-FS88FF-W5	Screw-on	100
126mm	115-FS126FF-IOED	10mm Expansion Dowel	100
126mm	115-FS126FF-W5	Screw-on	100
172mm / 205mm	115-FS172FF-FS205FF-IOED	10mm Expansion Dowel	100
172mm / 205mm	115-FS172FF-FS205FF-W5	Screw-on	100
88mm / 126mm / 172mm / 205mm	115-FS-RC	Screw-on	1000

800.840.1228 / MARATHONHARDWARE.COM

View this product online at <https://marathonhardware.com/pd/115-FS172-SG400>



Technical Documents



MARATHON
HARDWARE

M-Series FUSION



800.840.1228 | MARATHONHARDWARE.COM

M SERIES

INTRODUCING M-Series Fusion

The M-Series Fusion is a cost effective slim wall drawer system. Powered by the Aeon undermount slide (sold as a separate part number), this sleek and stylish system can be featured in new builds, renovations, or retrofits.

Product Features:

- 4 Heights (88mm/126mm/172mm/205mm)
- 7 Lengths (270mm-550mm)
- Built-in rear bracket
- 6 Way adjustment
- System 32 compliant (AEON slide)
- 2 Color: Lunar White and Storm Grey
- Limited Lifetime Warranty
- Load capacity: 35kg

View this product online at <https://marathonhardware.com/pd/115-FS172-SG400>


Technical Documents



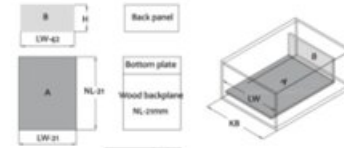
MARATHON

FUSION - AEON Full-Extension

What's in the Box



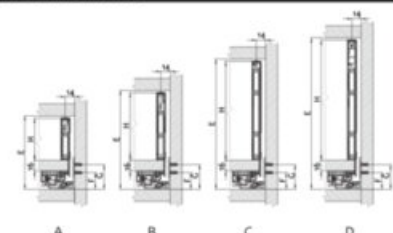
Cutting Dimensions of 16mm thick Material




	H
A	83
B	101
C	145
D	180

KB : Cabinet width
LW : Internal cabinet width
NL : Nominal length
H : Back panel height

Installation Dimensions

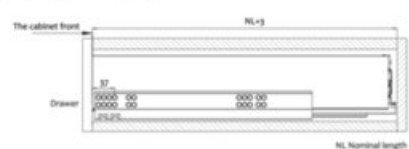


Front Panel Drilling Dimensions



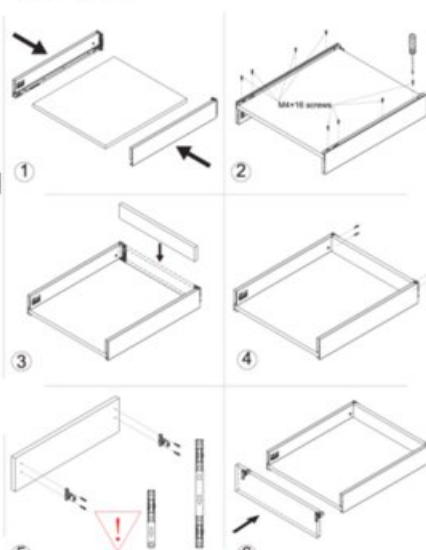
	E (mm)	F (mm)	G (mm)	J (mm)	K	L
A	110				/	/
B	145	25.5	37.5	49	32	/
C	180				54	32
D	222				84	32

Installation Dimensions




NL: Nominal length

Drawer Installation



Drilling Pattern



Length (mm)	128	142	156	170	184	198	212	226	240	254	268	282	296	310	324	338	352	366	380	394	408	422	436	450	464	478	492	506	520	534	548	562	576	590	604	618	632	646	660	674	688	702	716	730	744	758	772	786	800	814	828	842	856	870	884	898	912	926	940	954	968	982	996	1010	1024	1038	1052	1066	1080	1094	1108	1122	1136	1150	1164	1178	1192	1206	1220	1234	1248	1262	1276	1290	1304	1318	1332	1346	1360	1374	1388	1402	1416	1430	1444	1458	1472	1486	1500	1514	1528	1542	1556	1570	1584	1598	1612	1626	1640	1654	1668	1682	1696	1710	1724	1738	1752	1766	1780	1794	1808	1822	1836	1850	1864	1878	1892	1906	1920	1934	1948	1962	1976	1990	2004	2018	2032	2046	2060	2074	2088	2102	2116	2130	2144	2158	2172	2186	2200	2214	2228	2242	2256	2270	2284	2298	2312	2326	2340	2354	2368	2382	2396	2410	2424	2438	2452	2466	2480	2494	2508	2522	2536	2550	2564	2578	2592	2606	2620	2634	2648	2662	2676	2690	2704	2718	2732	2746	2760	2774	2788	2802	2816	2830	2844	2858	2872	2886	2900	2914	2928	2942	2956	2970	2984	2998	3012	3026	3040	3054	3068	3082	3096	3110	3124	3138	3152	3166	3180	3194	3208	3222	3236	3250	3264	3278	3292	3306	3320	3334	3348	3362	3376	3390	3404	3418	3432	3446	3460	3474	3488	3502	3516	3530	3544	3558	3572	3586	3600	3614	3628	3642	3656	3670	3684	3698	3712	3726	3740	3754	3768	3782	3796	3810	3824	3838	3852	3866	3880	3894	3908	3922	3936	3950	3964	3978	3992	4006	4020	4034	4048	4062	4076	4090	4104	4118	4132	4146	4160	4174	4188	4202	4216	4230	4244	4258	4272	4286	4300	4314	4328	4342	4356	4370	4384	4398	4412	4426	4440	4454	4468	4482	4496	4510	4524	4538	4552	4566	4580	4594	4608	4622	4636	4650	4664	4678	4692	4706	4720	4734	4748	4762	4776	4790	4804	4818	4832	4846	4860	4874	4888	4902	4916	4930	4944	4958	4972	4986	5000	5014	5028	5042	5056	5070	5084	5098	5112	5126	5140	5154	5168	5182	5196	5210	5224	5238	5252	5266	5280	5294	5308	5322	5336	5350	5364	5378	5392	5406	5420	5434	5448	5462	5476	5490	5504	5518	5532	5546	5560	5574	5588	5602	5616	5630	5644	5658	5672	5686	5700	5714	5728	5742	5756	5770	5784	5798	5812	5826	5840	5854	5868	5882	5896	5910	5924	5938	5952	5966	5980	5994	6008	6022	6036	6050	6064	6078	6092	6106	6120	6134	6148	6162	6176	6190	6204	6218	6232	6246	6260	6274	6288	6302	6316	6330	6344	6358	6372	6386	6400	6414	6428	6442	6456	6470	6484	6498	6512	6526	6540	6554	6568	6582	6596	6610	6624	6638	6652	6666	6680	6694	6708	6722	6736	6750	6764	6778	6792	6806	6820	6834	6848	6862	6876	6890	6904	6918	6932	6946	6960	6974	6988	7002	7016	7030	7044	7058	7072	7086	7100	7114	7128	7142	7156	7170	7184	7198	7212	7226	7240	7254	7268	7282	7296	7310	7324	7338	7352	7366	7380	7394	7408	7422	7436	7450	7464	7478	7492	7506	7520	7534	7548	7562	7576	7590	7604	7618	7632	7646	7660	7674	7688	7702	7716	7730	7744	7758	7772	7786	7800	7814	7828	7842	7856	7870	7884	7898	7912	7926	7940	7954	7968	7982	7996	8010	8024	8038	8052	8066	8080	8094	8108	8122	8136	8150	8164	8178	8192	8206	8220	8234	8248	8262	8276	8290	8304	8318	8332	8346	8360	8374	8388	8402	8416	8430	8444	8458	8472	8486	8500	8514	8528	8542	8556	8570	8584	8598	8612	8626	8640	8654	8668	8682	8696	8710	8724	8738	8752	8766	8780	8794	8808	8822	8836	8850	8864	8878	8892	8906	8920	8934	8948	8962	8976	8990	9004	9018	9032	9046	9060	9074	9088	9102	9116	9130	9144	9158	9172	9186	9200	9214	9228	9242	9256	9270	9284	9298	9312	9326	9340	9354	9368	9382	9396	9410	9424	9438	9452	9466	9480	9494	9508	9522	9536	9550	9564	9578	9592	9606	9620	9634	9648	9662	9676	9690	9704	9718	9732	9746	9760	9774	9788	9802	9816	9830	9844	9858	9872	9886	9900	9914	9928	9942	9956	9970	9984	10000
-------------	-----	-----	-----	-----	-----	-----	-----	-----	-----	-----	-----	-----	-----	-----	-----	-----	-----	-----	-----	-----	-----	-----	-----	-----	-----	-----	-----	-----	-----	-----	-----	-----	-----	-----	-----	-----	-----	-----	-----	-----	-----	-----	-----	-----	-----	-----	-----	-----	-----	-----	-----	-----	-----	-----	-----	-----	-----	-----	-----	-----	-----	-----	-----	------	------	------	------	------	------	------	------	------	------	------	------	------	------	------	------	------	------	------	------	------	------	------	------	------	------	------	------	------	------	------	------	------	------	------	------	------	------	------	------	------	------	------	------	------	------	------	------	------	------	------	------	------	------	------	------	------	------	------	------	------	------	------	------	------	------	------	------	------	------	------	------	------	------	------	------	------	------	------	------	------	------	------	------	------	------	------	------	------	------	------	------	------	------	------	------	------	------	------	------	------	------	------	------	------	------	------	------	------	------	------	------	------	------	------	------	------	------	------	------	------	------	------	------	------	------	------	------	------	------	------	------	------	------	------	------	------	------	------	------	------	------	------	------	------	------	------	------	------	------	------	------	------	------	------	------	------	------	------	------	------	------	------	------	------	------	------	------	------	------	------	------	------	------	------	------	------	------	------	------	------	------	------	------	------	------	------	------	------	------	------	------	------	------	------	------	------	------	------	------	------	------	------	------	------	------	------	------	------	------	------	------	------	------	------	------	------	------	------	------	------	------	------	------	------	------	------	------	------	------	------	------	------	------	------	------	------	------	------	------	------	------	------	------	------	------	------	------	------	------	------	------	------	------	------	------	------	------	------	------	------	------	------	------	------	------	------	------	------	------	------	------	------	------	------	------	------	------	------	------	------	------	------	------	------	------	------	------	------	------	------	------	------	------	------	------	------	------	------	------	------	------	------	------	------	------	------	------	------	------	------	------	------	------	------	------	------	------	------	------	------	------	------	------	------	------	------	------	------	------	------	------	------	------	------	------	------	------	------	------	------	------	------	------	------	------	------	------	------	------	------	------	------	------	------	------	------	------	------	------	------	------	------	------	------	------	------	------	------	------	------	------	------	------	------	------	------	------	------	------	------	------	------	------	------	------	------	------	------	------	------	------	------	------	------	------	------	------	------	------	------	------	------	------	------	------	------	------	------	------	------	------	------	------	------	------	------	------	------	------	------	------	------	------	------	------	------	------	------	------	------	------	------	------	------	------	------	------	------	------	------	------	------	------	------	------	------	------	------	------	------	------	------	------	------	------	------	------	------	------	------	------	------	------	------	------	------	------	------	------	------	------	------	------	------	------	------	------	------	------	------	------	------	------	------	------	------	------	------	------	------	------	------	------	------	------	------	------	------	------	------	------	------	------	------	------	------	------	------	------	------	------	------	------	------	------	------	------	------	------	------	------	------	------	------	------	------	------	------	------	------	------	------	------	------	------	------	------	------	------	------	------	------	------	------	------	------	------	------	------	------	------	------	------	------	------	------	------	------	------	------	------	------	------	------	------	------	------	------	------	------	------	------	------	------	------	------	------	------	------	------	------	------	------	------	------	------	------	------	------	------	------	------	------	------	------	------	------	------	------	------	------	------	------	------	------	------	------	------	------	------	------	------	------	------	------	------	------	------	------	------	------	------	------	------	------	------	------	------	------	------	------	------	------	------	------	------	------	------	------	------	------	-------

View this product online at <https://marathonhardware.com/pd/115-FS172-SG400>

