

Fusion Slim wall H205 270mm Lunar White



Part Number: 115-FS205-LW270

M-Series Fusion Side Wall, 270mm Length, 205mm Height, Lunar White

Side wall for standard drawers.

Adjustment Description	6-Way
Colour	Lunar White
Drawer Side Height	205 mm
Drawer System	M-Series Fusion
Drawer Type	Standard Drawer
Length	270mm (11")
Load Capacity	35kg

Product Description

The Fusion Slim Wall is the first drawer system offered as part of our M-Series lineup of quality, cost effective functional hardware.

Fusion is available in multiple heights and lengths, two colours, and features 6-way drawer front adjustment. These features offer the highest level of convenience and selection at one of the lowest price points on the market.

Product Advantages

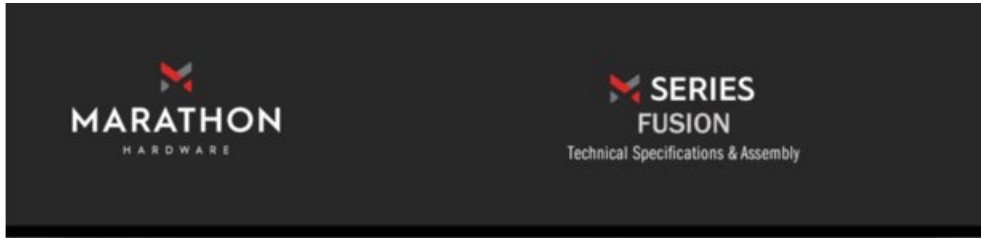
- Height: 205mm
- Length: 270mm
- Built-in rear bracket
- 6 Way adjustment
- System 32 compliant (AEON slide)
- Colour: Lunar White
- Limited Lifetime Warranty
- Load capacity: 35kg

Important Information

Please Note: This is for side wall only. The AEON20 slide is a requirement for this kit, which is sold as a separate item. Be sure to select the correct slide length for your drawer system.



Technical Documents



M-Series Fusion



Product Features

The M-Series Fusion is a cost effective slim wall drawer system. Powered by the M-Series AEON undermount slide, this sleek and stylish system can be featured in new builds, renovations, or retrofits.

- 4 Heights (88mm/126mm/172mm/205mm)
- 7 Lengths available (270mm-550mm)
- Built-in rear bracket
- Depth adjustment +/- 4mm
- Side adjustment +/- 1.5mm
- Height adjustment +/- 1.5mm
- System 32 compliant (AEON slide)
- 2 Colours: Lunar White and Storm Grey
- Limited Lifetime Warranty
- Load capacity: 35kg (77lbs)

What's In the Box

- Set of left and right side walls
- Front fixing brackets
- Set of two M-Series AEON undermount slides



Accessory Items - Front Fixing Brackets & Connectors

Height	Part#	Fixing Method	Quantity/Box
88mm	115-FS88FF-IOED	10mm Expansion Dowel	100
88mm	115-FS88FF-W5	Screw-on	100
126mm	115-FS126FF-IOED	10mm Expansion Dowel	100
126mm	115-FS126FF-W5	Screw-on	100
172mm / 205mm	115-FS172FF-FS205FF-IOED	10mm Expansion Dowel	100
172mm / 205mm	115-FS172FF-FS205FF-W5	Screw-on	100
88mm / 126mm / 172mm / 205mm	115-FS-RC	Screw-on	1000

800.840.1228 / MARATHONHARDWARE.COM

View this product online at <https://marathonhardware.com/pd/115-FS205-LW270>




Technical Documents



MARATHON
HARDWARE

M-Series FUSION



800.840.1228 | MARATHONHARDWARE.COM

SERIES

INTRODUCING M-Series Fusion

The M-Series Fusion is a cost effective slim wall drawer system. Powered by the Aeon undermount slide (sold as a separate part number), this sleek and stylish system can be featured in new builds, renovations, or retrofits.

Product Features:

- 4 Heights (88mm/126mm/172mm/205mm)
- 7 Lengths (270mm-550mm)
- Built-in rear bracket
- 6 Way adjustment
- System 32 compliant (AEON slide)
- 2 Color: Lunar White and Storm Grey
- Limited Lifetime Warranty
- Load capacity: 35kg

View this product online at <https://marathonhardware.com/pd/115-FS205-LW270>


Technical Documents



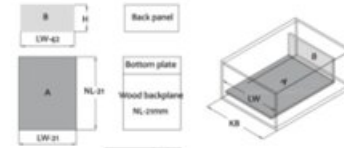
MARATHON

FUSION - AEON Full-Extension

What's in the Box



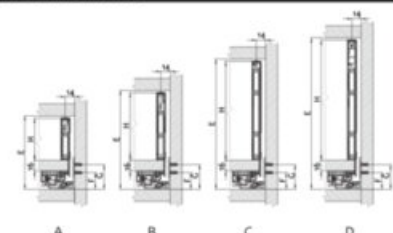
Cutting Dimensions of 16mm thick Material




	H
A	83
B	101
C	145
D	180

KB : Cabinet width
LW : Internal cabinet width
NL : Nominal length
H : Back panel height

Installation Dimensions

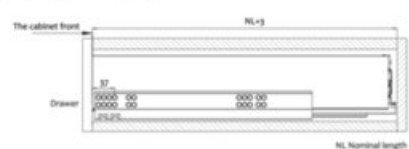


Front Panel Drilling Dimensions



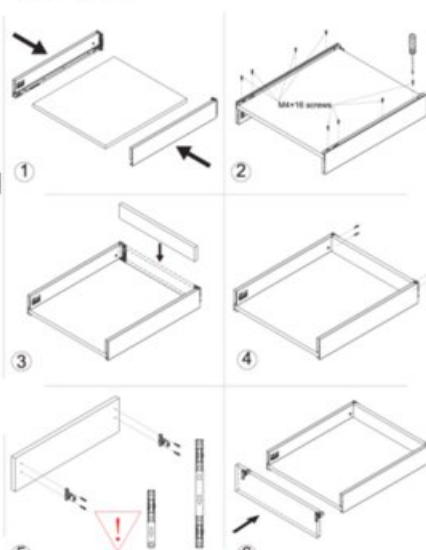
	E (mm)	F (mm)	G (mm)	J (mm)	K	L
A	110				/	/
B	145	25.5	37.5	49	32	/
C	180				144	32
D	222				184	32

Installation Dimensions




NL: Nominal length

Drawer Installation



Drilling Pattern



Length (mm)	Drill Size (mm)	Spacing (mm)	Offset (mm)
1000	3.2	32	0
1000	3.2	32	16
1000	3.2	32	32
1000	3.2	32	48
1000	3.2	32	64
1000	3.2	32	80
1000	3.2	32	96
1000	3.2	32	112
1000	3.2	32	128
1000	3.2	32	144
1000	3.2	32	160
1000	3.2	32	176
1000	3.2	32	192
1000	3.2	32	208
1000	3.2	32	224
1000	3.2	32	240
1000	3.2	32	256
1000	3.2	32	272
1000	3.2	32	288
1000	3.2	32	304
1000	3.2	32	320
1000	3.2	32	336
1000	3.2	32	352
1000	3.2	32	368
1000	3.2	32	384
1000	3.2	32	400
1000	3.2	32	416
1000	3.2	32	432
1000	3.2	32	448
1000	3.2	32	464
1000	3.2	32	480
1000	3.2	32	496
1000	3.2	32	512
1000	3.2	32	528
1000	3.2	32	544
1000	3.2	32	560
1000	3.2	32	576
1000	3.2	32	592
1000	3.2	32	608
1000	3.2	32	624
1000	3.2	32	640
1000	3.2	32	656
1000	3.2	32	672
1000	3.2	32	688
1000	3.2	32	704
1000	3.2	32	720
1000	3.2	32	736
1000	3.2	32	752
1000	3.2	32	768
1000	3.2	32	784
1000	3.2	32	800
1000	3.2	32	816
1000	3.2	32	832
1000	3.2	32	848
1000	3.2	32	864
1000	3.2	32	880
1000	3.2	32	896
1000	3.2	32	912
1000	3.2	32	928
1000	3.2	32	944
1000	3.2	32	960
1000	3.2	32	976
1000	3.2	32	992
1000	3.2	32	1000

View this product online at <https://marathonhardware.com/pd/115-FS205-LW270>

