

# Fusion Slim wall H205 270mm Storm Grey

**Part Number: 115-FS205-SG270**



M-Series Fusion Side Wall, 270mm Length, 205mm Height, Storm Grey

Side wall for standard drawers.

Adjustment Description	6-Way
Colour	Storm Grey
Drawer Side Height	205 mm
Drawer System	M-Series Fusion
Drawer Type	Standard Drawer
Length	270mm (11")
Load Capacity	35kg

## Product Description

The Fusion Slim Wall is the first drawer system offered as part of our M-Series lineup of quality, cost effective functional hardware.

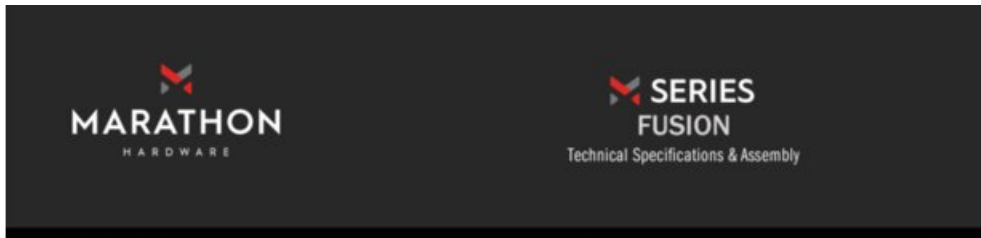
Fusion is available in multiple heights and lengths, two colours, and features 6-way drawer front adjustment. These features offer the highest level of convenience and selection at one of the lowest price points on the market.

## Important Information

Please Note: This is for side wall only. The AEON20 slide is a requirement for this kit, which is sold as a separate item. Be sure to select the correct slide length for your drawer system.



## Technical Documents



### M-Series Fusion



### Product Features

The M-Series Fusion is a cost effective slim wall drawer system. Powered by the M-Series AEON undermount slide, this sleek and stylish system can be featured in new builds, renovations, or retrofits.

- 4 Heights (88mm/126mm/172mm/205mm)
- 7 Lengths available (270mm-550mm)
- Built-in rear bracket
- Depth adjustment +/- 4mm
- Side adjustment +/- 1.5mm
- Height adjustment +/- 1.5mm
- System 32 compliant (AEON slide)
- 2 Colours: Lunar White and Storm Grey
- Limited Lifetime Warranty
- Load capacity: 35kg (77lbs)

### What's In the Box

- Set of left and right side walls
- Front fixing brackets
- Set of two M-Series AEON undermount slides



### Accessory Items - Front Fixing Brackets & Connectors

Height	Part#	Fixing Method	Quantity/Box
88mm	115-FS88FF-IOED	10mm Expansion Dowel	100
88mm	115-FS88FF-W5	Screw-on	100
126mm	115-FS126FF-IOED	10mm Expansion Dowel	100
126mm	115-FS126FF-W5	Screw-on	100
172mm / 205mm	115-FS172FF-FS205FF-IOED	10mm Expansion Dowel	100
172mm / 205mm	115-FS172FF-FS205FF-W5	Screw-on	100
88mm / 126mm / 172mm / 205mm	115-FS-RC	Screw-on	1000

800.840.1228 / MARATHONHARDWARE.COM

View this product online at <https://marathonhardware.com/pd/115-FS205-SG270>



## Technical Documents



**MARATHON**  
HARDWARE

# M-Series FUSION



800.840.1228 | MARATHONHARDWARE.COM

**M SERIES**

**INTRODUCING** M-Series Fusion

The M-Series Fusion is a cost effective slim wall drawer system. Powered by the Aeon undermount slide (sold as a separate part number), this sleek and stylish system can be featured in new builds, renovations, or retrofits.

**Product Features:**

- 4 Heights (88mm/126mm/172mm/205mm)
- 7 Lengths (270mm-550mm)
- Built-in rear bracket
- 6 Way adjustment
- System 32 compliant (AEON slide)
- 2 Color: Lunar White and Storm Grey
- Limited Lifetime Warranty
- Load capacity: 35kg

View this product online at <https://marathonhardware.com/pd/115-FS205-SG270>


## Technical Documents



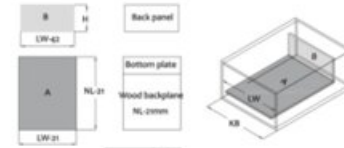
# MARATHON

### FUSION - AEON Full-Extension

#### What's in the Box



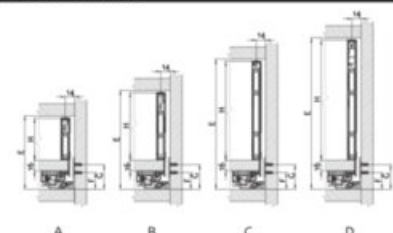
#### Cutting Dimensions of 16mm thick Material



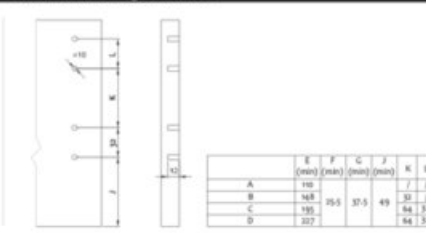
	H
A	83
B	101
C	145
D	180

KB : Cabinet width  
 LW : Internal cabinet width  
 NL : Nominal length  
 H : Back panel height

#### Installation Dimensions

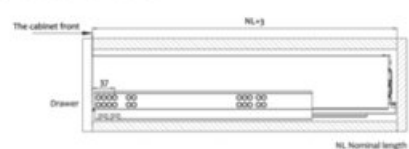


#### Front Panel Drilling Dimensions



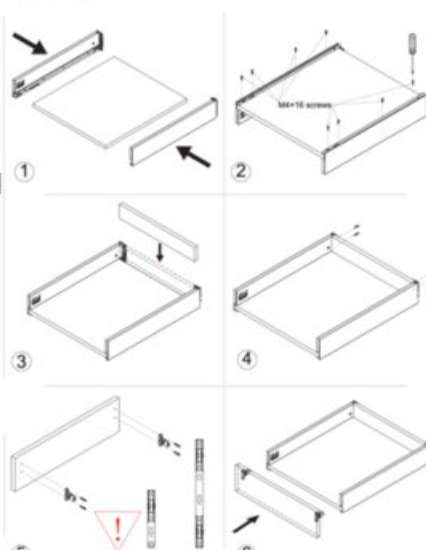
	E (mm)	F (mm)	G (mm)	J (mm)	K (mm)	L (mm)
A	110					
B	145	25.5	37.5	49		
C	180					
D	222					

#### Installation Dimensions




NL, Nominal length

#### Drawer Installation



#### Drilling Pattern



View this product online at <https://marathonhardware.com/pd/115-FS205-SG270>

