

Pull TRIBECA 6" SB

Part Number: E86430US4



EMTEK Tribeca Pull, 6", Satin Brass

The diamond pattern Tribeca pull adds a unique design flare to kitchens ranging from classic to contemporary.

| | |
|-------------------------|--------------|
| Center to Center Length | 6 in |
| Collection | Tribeca |
| Finish Code | Satin Brass |
| Material | Zinc Diecast |
| Overall Length | 8 in |
| Projection (Height) | 1.25 in |
| Style Family | Art Deco |
| Type | Pull |

Product Description

Capturing the trendy essence of Tribeca in lower Manhattan, the Emtex Tribeca Cabinet Pull exudes a hip vibe inspired by the area's industrial roots. Its diamond-shaped and geometrically textured style reflects the unique energy of the neighborhood. This versatile piece is designed for use on paneled kitchen appliances or as a standalone door pull, offering a multi-faceted texture with distinctive light reflection properties.

Available in 7 sizes and 6 finishes, the Tribeca Cabinet Pull allows you to customize your space with a modern touch. Whether you're looking to elevate your cabinets or add a chic design element, this pull embodies the cool spirit of its New York namesake. Explore the possibilities and bring a touch of Tribeca's trendiness to your surroundings.

Product Advantages

- 7 lengths (centre-to-centre): 3-1/2", 4", 5", 6", 8", 10", 12"
- 6 finishes
 - Oil-rubbed bronze
 - Polished Nickel
 - Satin Nickel
 - Flat Black
 - Polished Chrome
 - Stain Brass

Included Products

Industry Standard Fastening Hardware




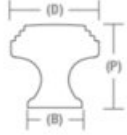
Technical Documents

ART DECO


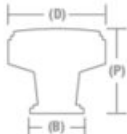
Cabinet Knobs & Pulls Technical Specifications

EMTEK



Art Deco Knob

| | | | | | |
|---|---|--------------|--------------|---------------|-------------------|
|  |  | Product Code | Dimension(C) | Projection(P) | Base Dimension(B) |
| | | 86421 | 1 1/4" | 1 1/4" | 3/4" |



Newport Knob

| | | | | | |
|---|---|--------------|--------------|---------------|-------------------|
|  |  | Product Code | Dimension(C) | Projection(P) | Base Dimension(B) |
| | | 86432 | 1 1/4" | 1 1/4" | 3/4" |
| | | 86433 | 1 3/8" | 1 1/2" | 1" |

Art Deco Pull

| | | | | | | |
|--|--|--------------|------------------|---------|---------------|-------------------|
|  |  | Product Code | Dimension C-to-C | Overall | Projection(P) | Base Dimension(B) |
| | | 86422 | 3 1/2" | 4 3/8" | 1 1/8" | 1/2" |
| | | 86423 | 4" | 4 3/8" | 1 1/8" | 1/2" |

Alexander Pull

| | | | | | | |
|---|---|--------------|------------------|---------|---------------|-------------------|
|  |  | Product Code | Dimension C-to-C | Overall | Projection(P) | Base Dimension(B) |
| | | 86424 | 3 1/2" | 4 3/8" | 1 1/8" | 1/2" |
| | | 86425 | 4" | 4 3/8" | 1 1/8" | 1/2" |
| | | 86484 | 5" | 5 3/8" | 1 1/8" | 1/2" |
| | | 86426 | 6" | 6 3/8" | 1 1/8" | 1/2" |
| | | 86427 | 8" | 8 3/8" | 1 1/8" | 1/2" |
| | | 86485 | 10" | 10 3/8" | 1 1/8" | 1/2" |
| | | 86479 | 12" | 12 3/8" | 1 1/8" | 1/2" |

Emtek Products, Inc. Tel: 800.356.2741 Fax: 800.577.5771 emtek.com

View this product online at <https://marathonhardware.com/pd/E86430US4>

