

Ind Mod Jasper Pull 3-1/2 PB

Part Number: E86686US10B



EMTEK Jasper Pull, 3-1/2", Oil Rubbed Bronze

Edgy and transitional, the Industrial Modern cabinet hardware collection is inspired by industrial brackets and fittings, but versatile enough for everything from farmhouse to traditional-style interiors.

Center to Center Length	3 1/2 in
Collection	Jasper
Finish Code	Oil Rubbed Bronze
Overall Length	4 3/8 in
Projection (Height)	1.375 in
Style Family	Industrial Modern
Type	Pull
Width	0.5 in

Product Description

Emtex's Jasper Pull, a highlight of the Industrial Modern Collection, seamlessly combines industrial flair with modern versatility. With options in six finishes, seven pull sizes, two appliance pull sizes, and a finger pull variant, the Jasper is designed to cater to diverse project requirements and aesthetics. A perfect blend of steampunk influences and classic simplicity, the Jasper Pull adds a dependable touch of sophistication that goes beyond the conventions of traditional hardware design.

Product Advantages

- 7 lengths (centre-to-centre): 3-1/2", 4", 5", 6", 8", 10", 12"
- 6 finishes
 - Oil-rubbed bronze
 - Polished Nickel
 - Satin Nickel
 - Flat Black
 - Polished Chrome
 - Satin Brass

Included Products

Industry Standard Fastening Hardware


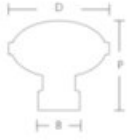




Technical Documents


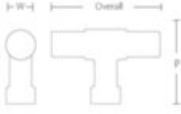
INDUSTRIAL MODERN


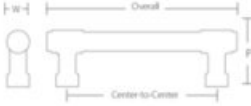
Cabinet Knobs & Pulls Technical Specifications

EMTEK

BRADOT KNOB		Product Code	Dimension(D)	Projection(P)	Base Width(B)
		86695	1 1/4"	1 1/4"	1/2"
		86696	1 3/4"	1 1/2"	3/4"

HAYDON KNOB		Product Code	Dimension(D)	Projection(P)	Base Width(B)
		86697	1 1/4"	1 1/4"	3/4"
		86698	1 3/4"	1 1/2"	3/4"

JASPER FINGER PULL		Product Code	Overall	Projection(P)	Width(W)
		86699	2"	1 3/8"	1/2"

JASPER PULL		Product Code	Overall	C-to-C	Projection(P)	Width(W)
		86686	4 3/8"	3 1/2"	1 3/8"	1/2"
		86687	4 1/2"	4"	1 3/8"	1/2"
		86688	5 1/8"	5"	1 3/8"	1/2"
		86689	6 1/8"	6"	1 3/8"	1/2"
		86690	8 1/8"	8"	1 3/8"	1/2"
		86691	10 3/8"	10"	1 3/8"	1/2"
		86692	12 3/8"	12"	1 3/8"	1/2"

Emtek Products, Inc. Tel: 800.356.2741 Fax: 800.577.5771 emtek.com

View this product online at <https://marathonhardware.com/pd/E86686US10B>

