

Ind Mod Jasper Pull 5 PC

Part Number: E86688US26



EMTEK Jasper Pull, 5", Polished Chrome

Edgy and transitional, the Industrial Modern cabinet hardware collection is inspired by industrial brackets and fittings, but versatile enough for everything from farmhouse to traditional-style interiors.

Center to Center Length	5 in
Collection	Jasper
Finish Code	Polished Chrome
Overall Length	5 7/8 in
Projection (Height)	1.375 in
Style Family	Industrial Modern
Type	Pull
Width	0.5 in

Product Description

Emtex's Jasper Pull, a highlight of the Industrial Modern Collection, seamlessly combines industrial flair with modern versatility. With options in six finishes, seven pull sizes, two appliance pull sizes, and a finger pull variant, the Jasper is designed to cater to diverse project requirements and aesthetics. A perfect blend of steampunk influences and classic simplicity, the Jasper Pull adds a dependable touch of sophistication that goes beyond the conventions of traditional hardware design.

Product Advantages

- 7 lengths (centre-to-centre): 3-1/2", 4", 5", 6", 8", 10", 12"
- 6 finishes
 - Oil-rubbed bronze
 - Polished Nickel
 - Satin Nickel
 - Flat Black
 - Polished Chrome
 - Satin Brass

Included Products

Industry Standard Fastening Hardware


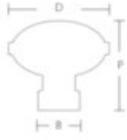




Technical Documents


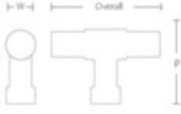
INDUSTRIAL MODERN


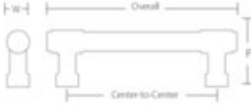
Cabinet Knobs & Pulls Technical Specifications

EMTEK

BRADOT KNOB		Product Code	Dimension(D)	Projection(P)	Base Width(B)
		86695	1 1/4"	1 1/4"	1/2"
		86696	1 3/4"	1 1/2"	3/4"

HAYDON KNOB		Product Code	Dimension(D)	Projection(P)	Base Width(B)
		86697	1 1/4"	1 1/4"	3/4"
		86698	1 3/4"	1 1/2"	3/4"

JASPER FINGER PULL		Product Code	Overall	Projection(P)	Width(W)
		86699	2"	1 3/8"	1/2"

JASPER PULL		Product Code	Overall	C-to-C	Projection(P)	Width(W)
		86686	4 3/8"	3 1/2"	1 3/8"	1/2"
		86687	4 1/2"	4"	1 3/8"	1/2"
		86688	5 1/8"	5"	1 3/8"	1/2"
		86689	6 3/8"	6"	1 3/8"	1/2"
		86690	8 3/8"	8"	1 3/8"	1/2"
		86691	10 3/8"	10"	1 3/8"	1/2"
		86692	12 3/8"	12"	1 3/8"	1/2"

Emtek Products, Inc. Tel: 800.356.2741 Fax: 800.577.5771 emtek.com

View this product online at <https://marathonhardware.com/pd/E86688US26>

