



# Waste/Recycling Bin 450mm 2x13L + 1x28

**Part Number: 04-MAX450-63S-AG**

M-Series Max Bin for 18" (450mm) Cabinet, 63L (2 X 15L + 1 X 33L) Capacity

A high-quality, side-mounted pullout waste management storage system in a popular anthracite grey finish.

Bin Included? .....	Yes
Closing Type .....	Soft-Close
Cover Included? .....	Yes
Finish .....	Anthracite Grey
Interior Depth Required .....	520 mm
Interior Height Required .....	540 mm
Interior Width Required .....	412 to 430 mm
Load Capacity .....	45 kg (99 lbs)
Number of Waste Bins .....	3 Bins
Slide Extension Type .....	Full Extension
Suggested for Cabinet (Door) Width .....	450 mm (18 in)
Volume .....	2 x 15L and 1 x 33L
Waste Type .....	Side-Mount

## Product Description

The M-Series Max Bin is a side mounted waste storage solution with large bins that are easily removable. The rigid construction and multiple sizes and heights to choose from make the Max Bin the perfect choice for any kitchen.

## Product Advantages

- 4 different widths available, unit is adjustable to fit metric and imperial sizes without a conversion kit
- 3 heights available
- Multiple bin configurations
- Full-extension, soft-close, synchronized slides
- Sturdy door mount with full 6-way adjustment
- Modern Anthracite Grey finish
- Roll-out top shelf for additional storage includes removable dark grey anti-slip mat
- Load capacity: 45kg (99lbs)
- Easy to install with full size positioning template (included)
- Limited Lifetime Warranty

## Important Information

Designed for both metric and imperial outside width cabinets. Frame adjustment can compensate for common gables. Short and Medium Heights can fit a 6 inch top drawer. Tall for full height door only.



## Technical Documents



### M-Series Max Bin Waste Storage System

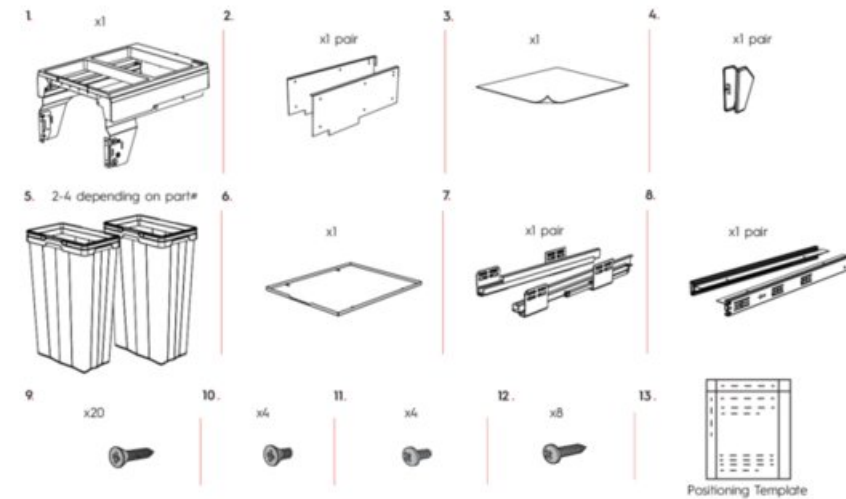


### Product Features

The M-Series Max Bin is a side mounted waste storage solution with large bins that are easily removable. The rigid construction and multiple sizes and heights to choose from make the Max Bin the perfect choice for any kitchen.

- 4 different widths available, unit is adjustable to fit metric and imperial sizes without a conversion kit
- 3 heights available
- Multiple bin configurations
- Full-extension, soft-close, synchronized slides
- Sturdy door mount with full 6-way adjustment
- Modern Anthracite Grey finish
- Roll-out top shelf for additional storage includes removable dark grey anti-slip mat
- Load capacity: 45kg (99lbs)
- Full size positioning template included
- Limited Lifetime Warranty

### What's In the Box



800.840.1228 / MARATHONHARDWARE.COM

View this product online at <https://marathonhardware.com/pd/04-MAX450-63S-AG>



## Technical Documents



# M-Series MAX BIN



800.840.1228 | MARATHONHARDWARE.COM



### SERIES

**INTRODUCING** M-Series Max Bin

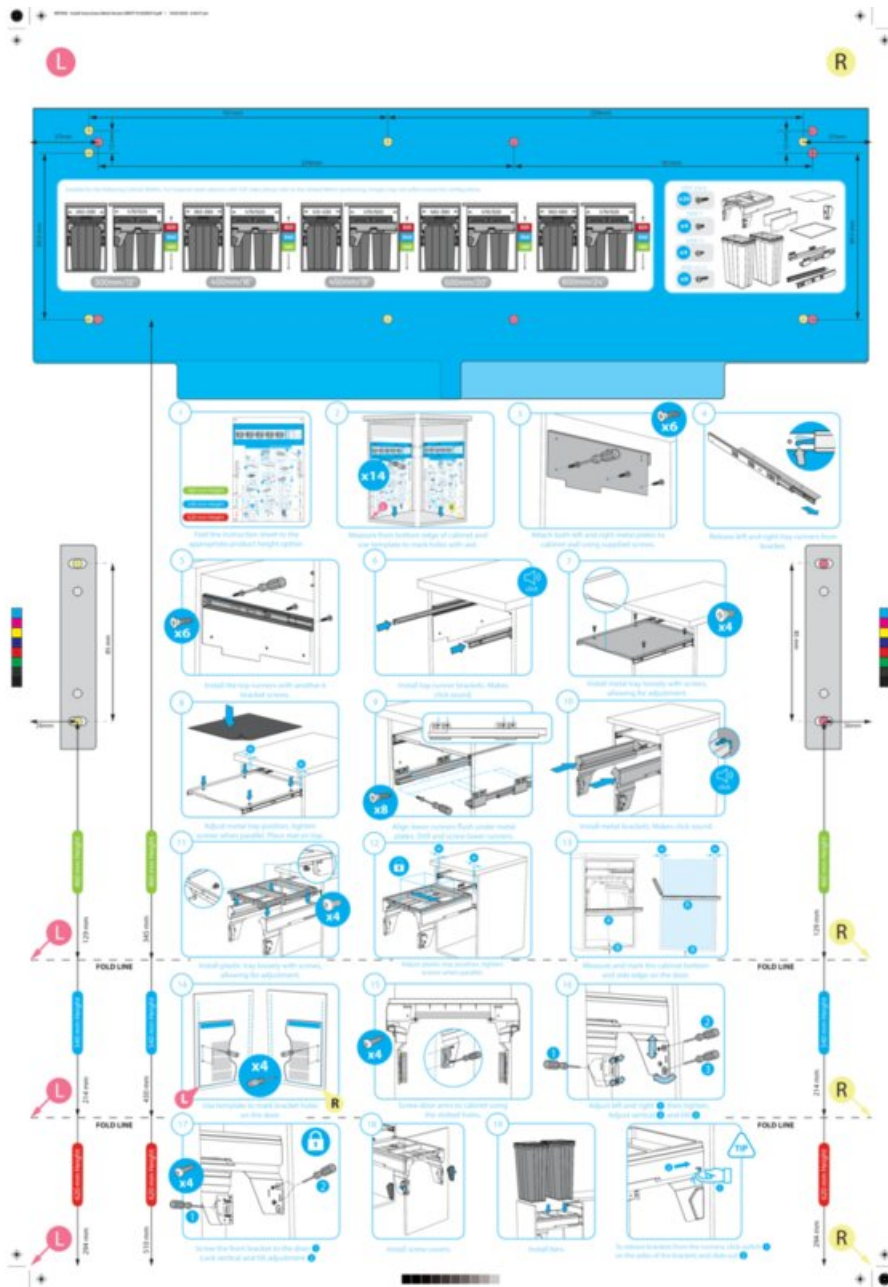
The M-Series Max Bin is a side mounted waste storage solution with large bins that are easily removable. The rigid construction and multiple sizes and heights to choose from make the Max Bin the perfect choice for any kitchen.

**Product Features:**

- 4 different widths available, unit is adjustable to fit metric and imperial sizes without a conversion kit
- 3 heights available
- Multiple bin configurations
- Full-extension, soft-close, synchronized slides
- Sturdy door mount with full 6-way adjustment
- Modern Anthracite Grey finish
- Roll-out top shelf for additional storage includes removable dark grey anti-slip mat
- Load capacity: 45kg (99lbs)
- Full size positioning template included
- Limited Lifetime Warranty

View this product online at <https://marathonhardware.com/pd/04-MAX450-63S-AG>

## Technical Documents



View this product online at <https://marathonhardware.com/pd/04-MAX450-63S-AG>

