



Waste/Recycling Bin 450mm 2x16L + 1x37L

Part Number: 04-MAX450-69S-AG

M-Series Max Bin for 18" (450mm) Cabinet, 69L (2 X 16L + 1 X 37L) Capacity

A high-quality, side-mounted pullout waste management storage system in a popular anthracite grey finish.

Bin Included?	Yes
Closing Type	Soft-Close
Cover Included?	Yes
Finish	Anthracite Grey
Interior Depth Required	520 mm
Interior Height Required	620 mm
Interior Width Required	412 to 430 mm
Load Capacity	45 kg (99 lbs)
Number of Waste Bins	3 Bins
Slide Extension Type	Full Extension
Suggested for Cabinet (Door) Width	450 mm (18 in)
Volume	2 x 16L and 1 x 37L
Waste Type	Side-Mount

Product Description

The M-Series Max Bin is a side mounted waste storage solution with large bins that are easily removable. The rigid construction and multiple sizes and heights to choose from make the Max Bin the perfect choice for any kitchen.

Product Advantages

- 4 different widths available, unit is adjustable to fit metric and imperial sizes without a conversion kit
- 3 heights available
- Multiple bin configurations
- Full-extension, soft-close, synchronized slides
- Sturdy door mount with full 6-way adjustment
- Modern Anthracite Grey finish
- Roll-out top shelf for additional storage includes removable dark grey anti-slip mat
- Load capacity: 45kg (99lbs)
- Easy to install with full size positioning template (included)
- Limited Lifetime Warranty

Important Information

Designed for both metric and imperial outside width cabinets. Frame adjustment can compensate for common gables. Short and Medium Heights can fit a 6 inch top drawer. Tall for full height door only.



Technical Documents



M-Series Max Bin Waste Storage System

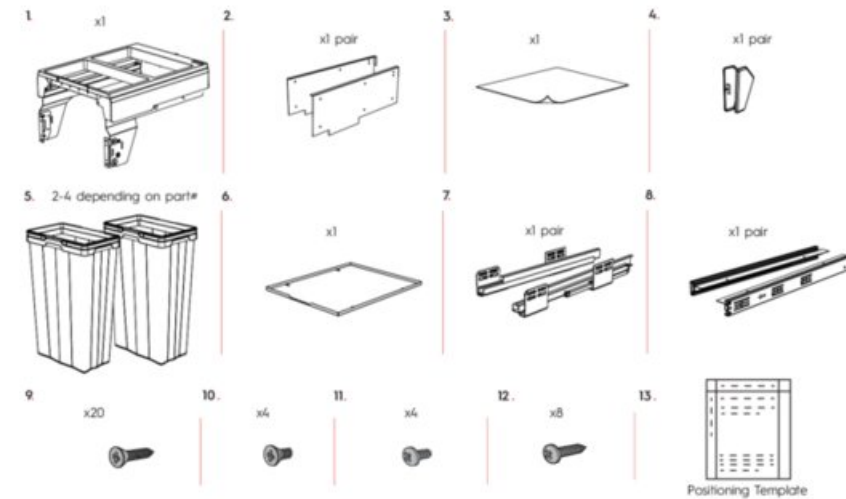


Product Features

The M-Series Max Bin is a side mounted waste storage solution with large bins that are easily removable. The rigid construction and multiple sizes and heights to choose from make the Max Bin the perfect choice for any kitchen.

- 4 different widths available, unit is adjustable to fit metric and imperial sizes without a conversion kit
- 3 heights available
- Multiple bin configurations
- Full-extension, soft-close, synchronized slides
- Sturdy door mount with full 6-way adjustment
- Modern Anthracite Grey finish
- Roll-out top shelf for additional storage includes removable dark grey anti-slip mat
- Load capacity: 45kg (99lbs)
- Full size positioning template included
- Limited Lifetime Warranty

What's In the Box



800.840.1228 / MARATHONHARDWARE.COM

View this product online at <https://marathonhardware.com/pd/04-MAX450-69S-AG>



Technical Documents



MARATHON
HARDWARE

M-Series MAX BIN



800.840.1228 | MARATHONHARDWARE.COM



M SERIES

INTRODUCING M-Series Max Bin

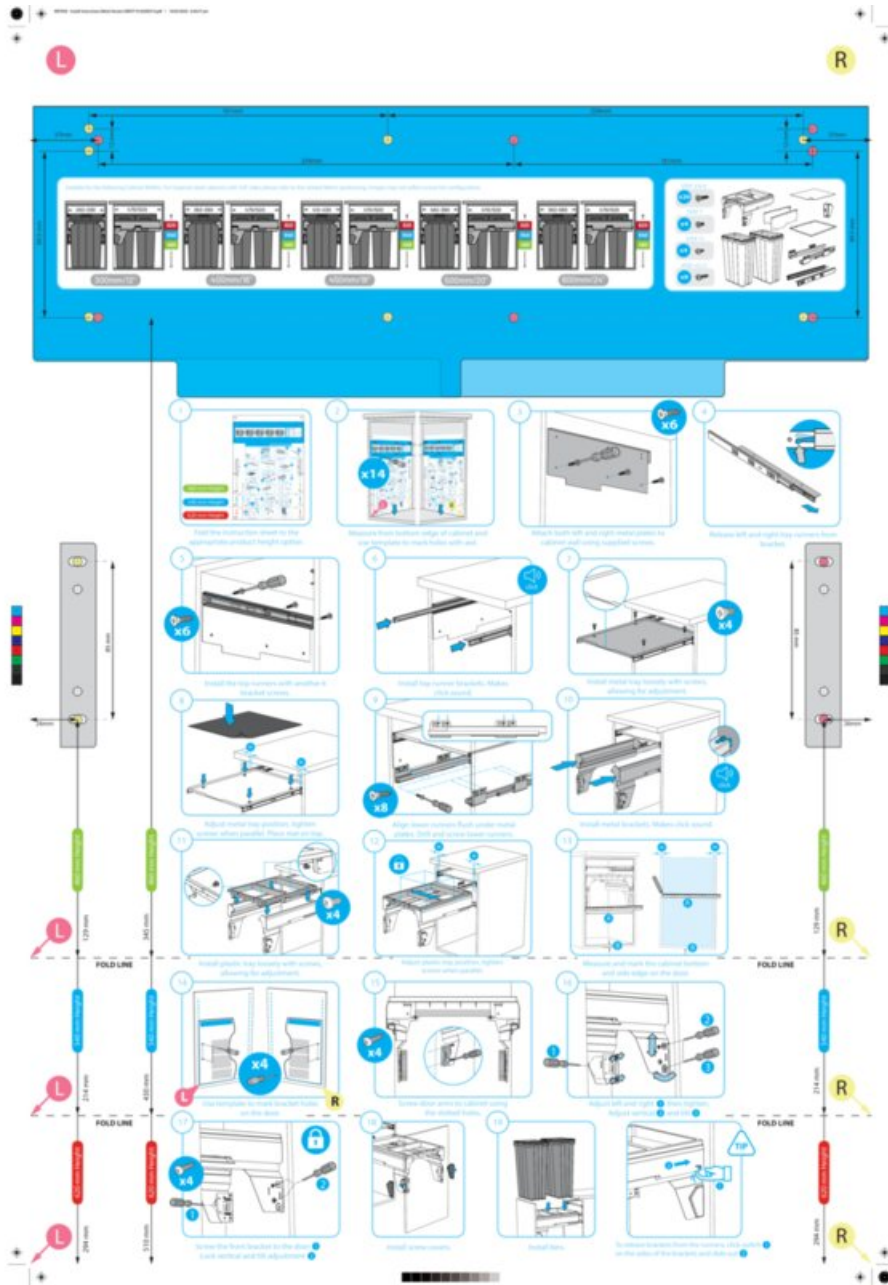
The M-Series Max Bin is a side mounted waste storage solution with large bins that are easily removable. The rigid construction and multiple sizes and heights to choose from make the Max Bin the perfect choice for any kitchen.

Product Features:

- 4 different widths available, unit is adjustable to fit metric and imperial sizes without a conversion kit
- 3 heights available
- Multiple bin configurations
- Full-extension, soft-close, synchronized slides
- Sturdy door mount with full 6-way adjustment
- Modern Anthracite Grey finish
- Roll-out top shelf for additional storage includes removable dark grey anti-slip mat
- Load capacity: 45kg (99lbs)
- Full size positioning template included
- Limited Lifetime Warranty

View this product online at <https://marathonhardware.com/pd/04-MAX450-69S-AG>

Technical Documents



View this product online at <https://marathonhardware.com/pd/04-MAX450-69S-AG>

