

## Insert nut for 10mm length

**Part Number: IF20102010GR**



---

Insert Nut for Target J12 - 10mm Length

Insert nut to secure Target J12 into cabinet gable.

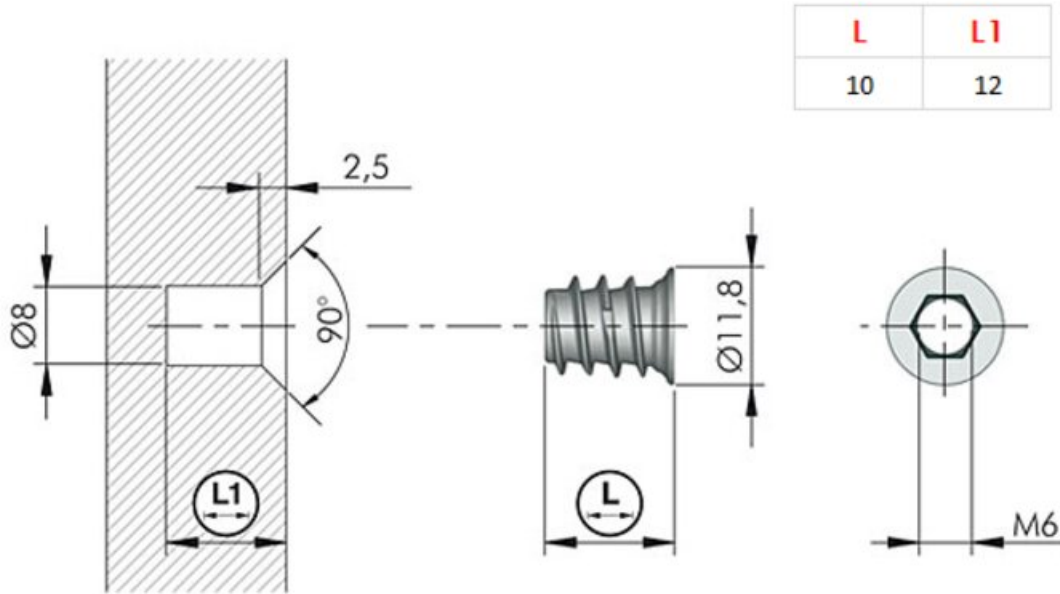
### Product Description

The Target J12 is a versatile, high-capacity structural fitting specifically designed for cabinet installations in tight spaces. Its compact yet robust design allows for seamless pre-assembly without interfering with packaging, making it an ideal choice for efficient production and assembly lines. A key feature is its through-passing hole, which enables easy access for leveler adjustments using an Allen wrench, ensuring precise alignment even after installation. Whether you're working in confined areas or on complex furniture systems, the Target J12 delivers reliability, strength, and ease of use to streamline your project from start to finish.

---



## Technical Documents



View this product online at <https://marathonhardware.com/pd/IF20102010GR>



## Technical Documents



View this product online at <https://marathonhardware.com/pd/IF20102010GR>

