



## Quick Tech female connector

**Part Number: IF2162001000**

Quick Tech Worktop Female Connector

The Quick Tech female connector fits seamlessly with the male connector to unite two worktops or panels with ease and precision.

Application Type ----- Connectors

### Product Description

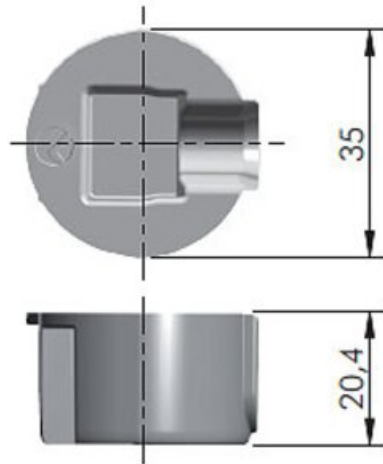
QUICK TECH is designed to join two worktops or panels together, consisting of two components: a main body with tightening dowel M8x64, M8x100 or M8x150 and a round cap to suit the dowel head.

The installation is fast and easy when using an S6mm allen wrench, or cordless driver. It is suitable for worktops and panels that are a minimum of 25mm thick.

### Product Advantages

- Press-fit positioning, reduced risk of parts falling during installation, enhancing efficiency.
- Compatible with S6 mm Allen wrench or cordless driver.
- Suitable for worktops and panels minimum 25 mm thick.

Technical Documents



View this product online at <https://marathonhardware.com/pd/IF2162001000>



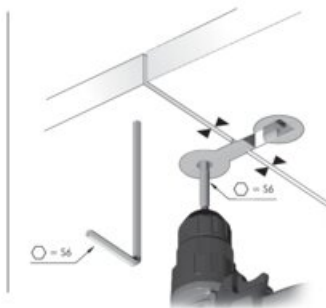
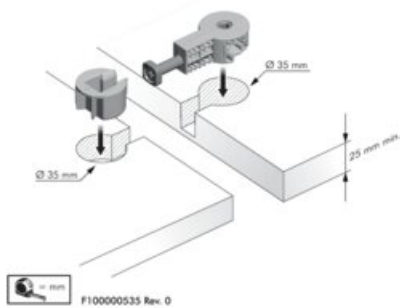
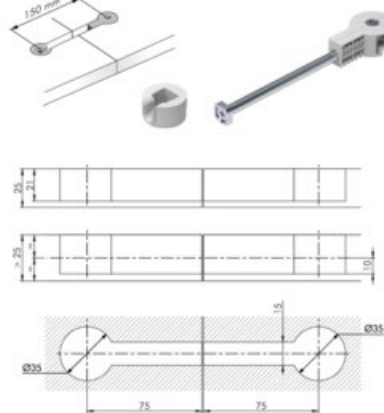
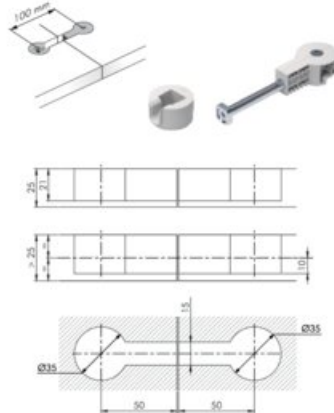
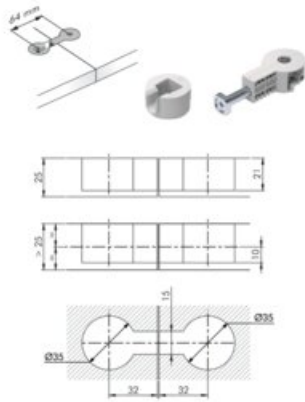
## Technical Documents



View this product online at <https://marathonhardware.com/pd/IF2162001000>

## Technical Documents

### QUICK TECH



 F100000535 Rev. 0

View this product online at <https://marathonhardware.com/pd/IF2162001000>

