



Target J12 Connecting fitting for insert

Part Number: IF21807160ZN

Target J12 Connecting Fitting for M6 Insert

The TARGET J12 is a heavy-duty structural connector, built for maximum fastening strength.

Product Description

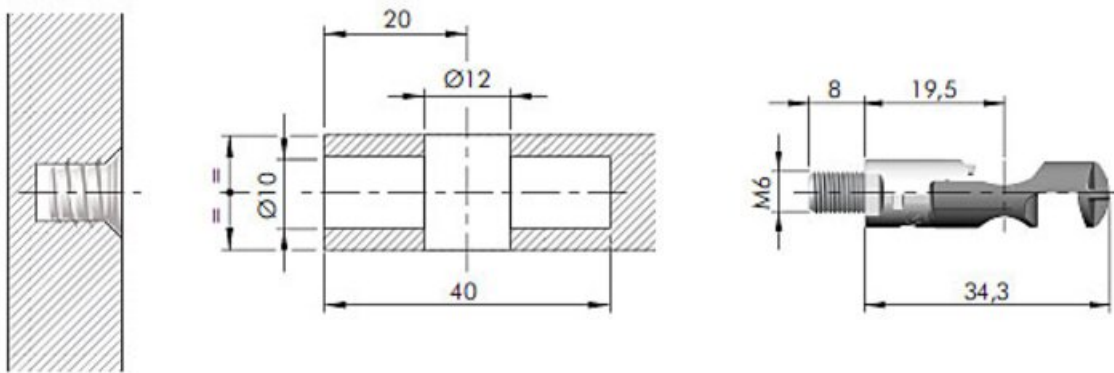
The Target J12 is a versatile, high-capacity structural fitting specifically designed for cabinet installations in tight spaces. Its compact yet robust design allows for seamless pre-assembly without interfering with packaging, making it an ideal choice for efficient production and assembly lines. A key feature is its through-passing hole, which enables easy access for leveler adjustments using an Allen wrench, ensuring precise alignment even after installation. Whether you're working in confined areas or on complex furniture systems, the Target J12 delivers reliability, strength, and ease of use to streamline your project from start to finish.

Product Advantages

- M6 thread. Drilling 10mm x 40mm, 12mm for the pinion.
 - Easy pre-assembling.
 - Flat pack solution for tall units.
 - Suitable for furniture in kit.
 - Factory pre-installed hardware eliminates the need for additional parts, ensuring quick and easy assembly on-site without loose parts.
 - Mounting is extremely fast and efficient thanks to the pre-assembling of the panels.
-



Technical Documents



View this product online at <https://marathonhardware.com/pd/IF21807160ZN>



Technical Documents

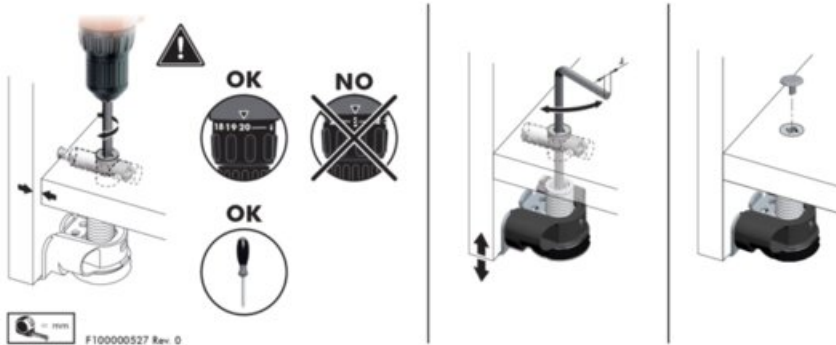
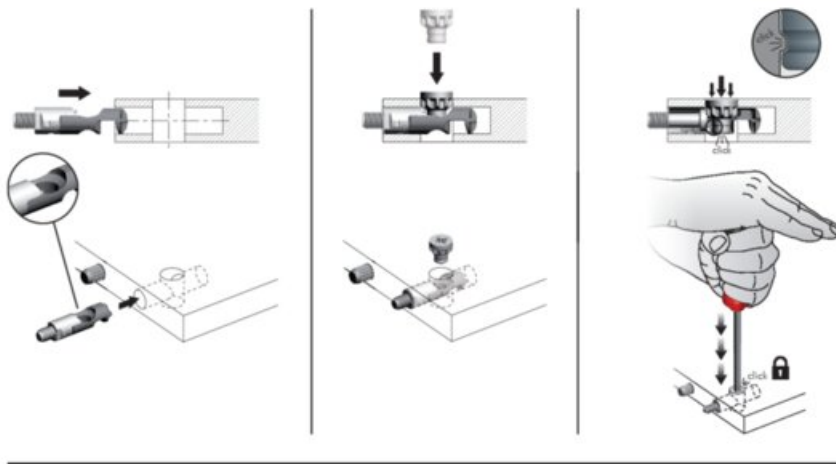
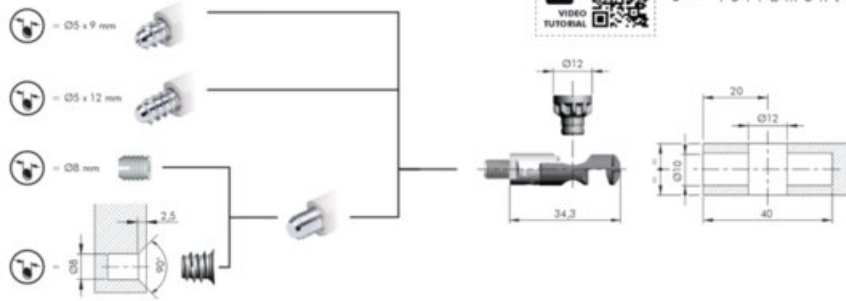


View this product online at <https://marathonhardware.com/pd/IF21807160ZN>



Technical Documents

TARGET J12



View this product online at <https://marathonhardware.com/pd/IF21807160ZN>

