

## Integrato Tech A leveler for Target J12



**Part Number: IF3505002000**

Integrato Tech "A" Levelers, 12mm Adjustment

The INTEGRATO TECH "A" leveler is ideal for heavy cabinets, bookcases, and modular furniture.

Height - - - - -	12 mm
Material - - - - -	Steel and Engineering Plastic

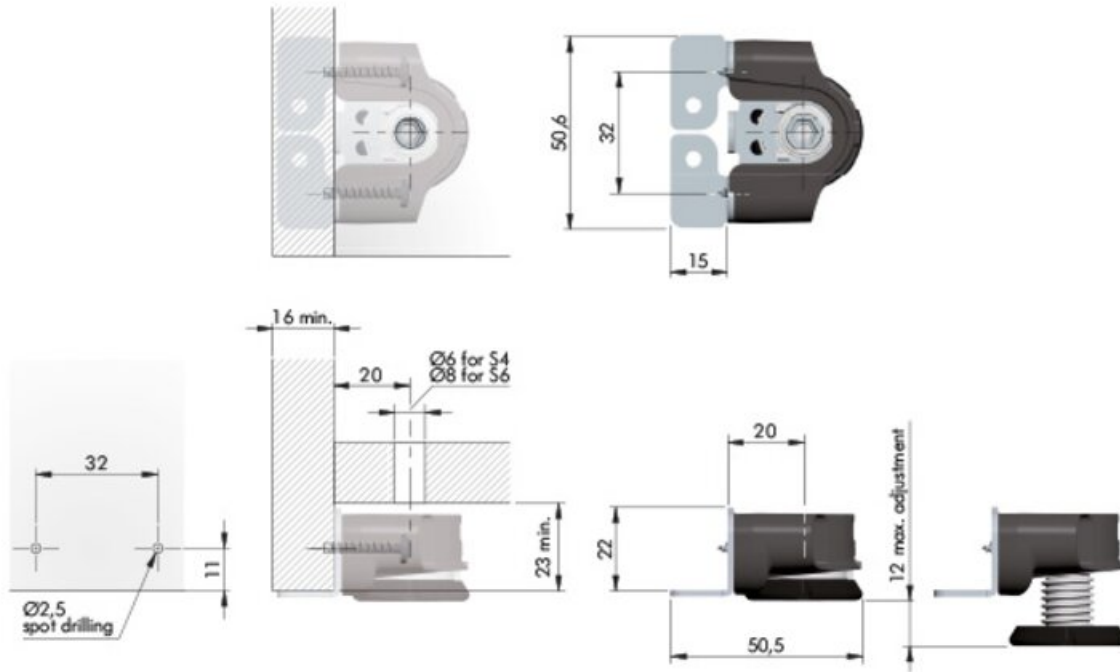
### Product Description

The INTEGRATO TECH "A" leveler is the go-to solution for perfectly aligning heavy-duty cabinets, bookcases, and modular furniture with precision and ease. Designed for convenience, it allows for quick, hassle-free adjustments from above, making it ideal for tight or hard-to-reach spaces. Its sturdy construction, blending steel and durable plastic, guarantees long-lasting support, while the integrated plastic glide protects your floors from unsightly scratches or damage. With two size options to suit various needs and pre-mounted screws for effortless installation, this leveler brings both reliability and simplicity to any furniture setup.

### Product Advantages

- Adjustable from above through Ø6 mm or Ø8 mm holes using S4 or S6 allen wrench in 2 options, 12mm and 20mm.
- 2 adjustment height options. The 12mm requires a minimum space of 23mm under the cabinet bottom while version delivers 20mm and a clearance of 35mm.
- Foot equipped with independent engineering plastic glide for easier adjustment and floor protection. Tall units can be moved without marking surfaces.
- Pre-mounted screws for easier assembly.
- High load capacity, each leveller is capable of supporting 175 kg.
- Mounting is extremely fast and efficient thanks to the pre-assembling of the panels.

Technical Documents



View this product online at <https://marathonhardware.com/pd/IF3505002000>



## Technical Documents



View this product online at <https://marathonhardware.com/pd/IF3505002000>

