



26mm drill bit for Kimana hinge

Part Number: IF6270101000

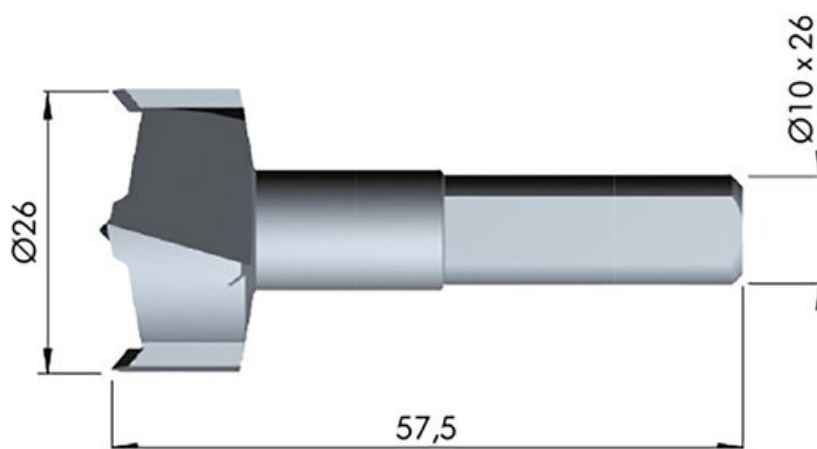


Drill Bit for Kimana Hinge, 26mm

Application Type -----	Drill Bit
------------------------	-----------



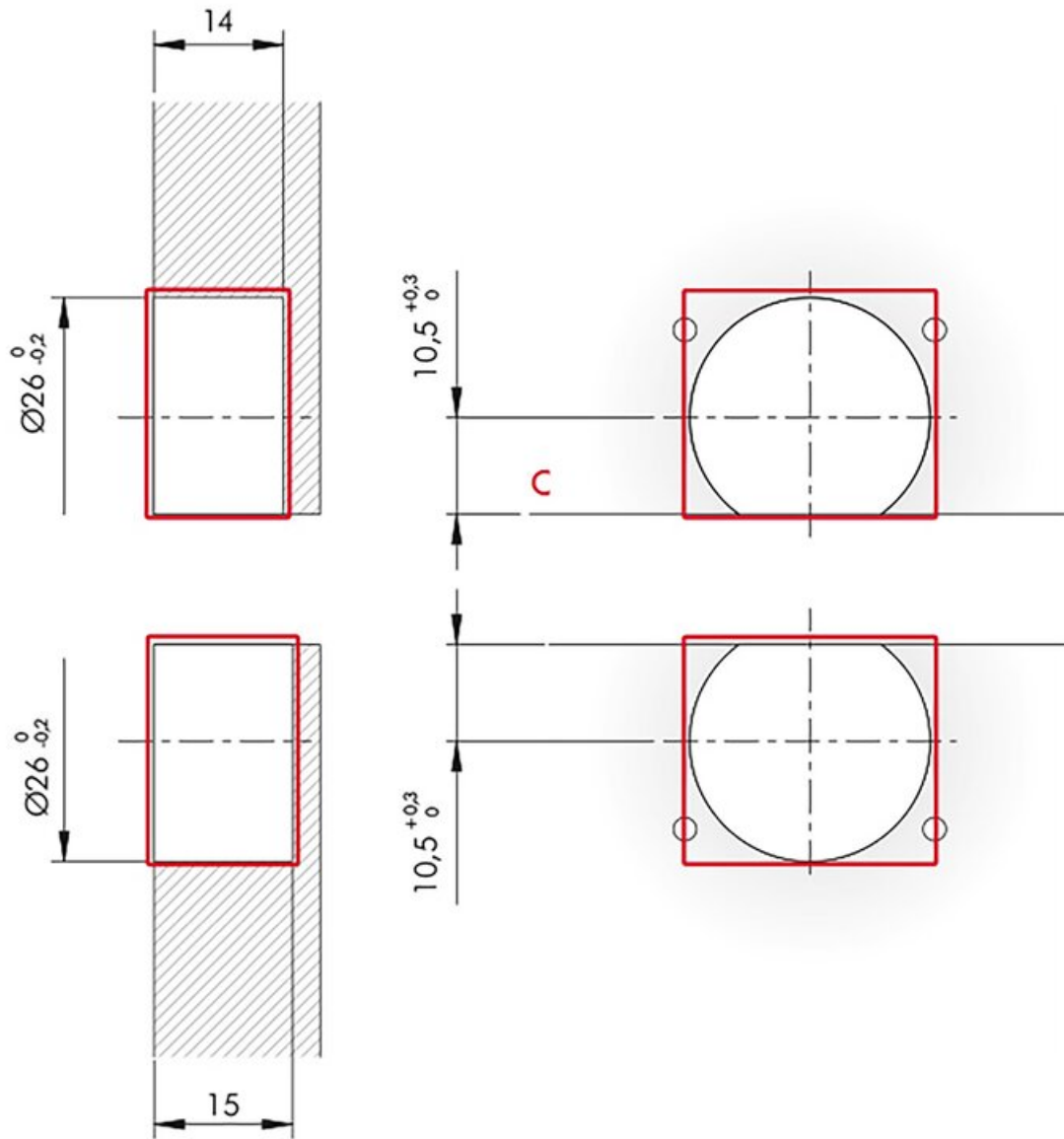
Technical Documents



View this product online at <https://marathonhardware.com/pd/IF6270101000>



Technical Documents



View this product online at <https://marathonhardware.com/pd/IF6270101000>



Technical Documents

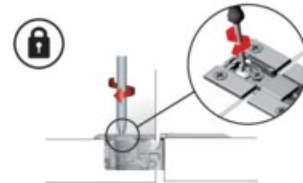
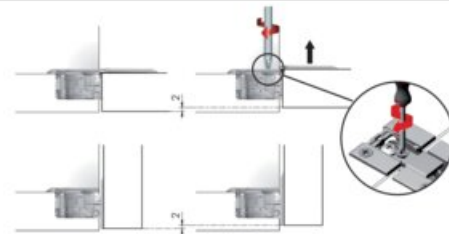
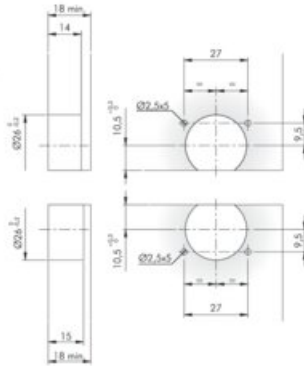
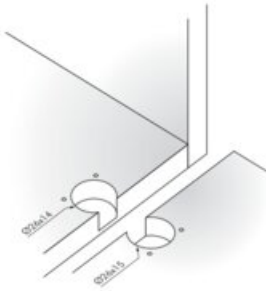
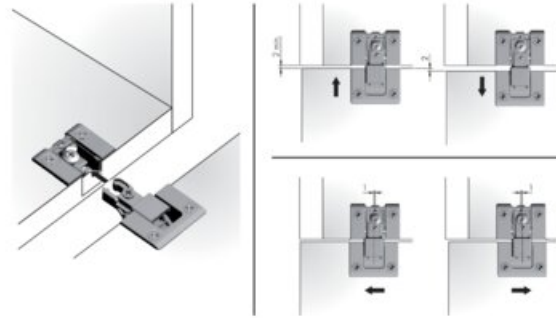


View this product online at <https://marathonhardware.com/pd/IF6270101000>

Technical Documents



KIMANA



 F10000521 Rev. 0

View this product online at <https://marathonhardware.com/pd/IF6270101000>

