

Doublewall Drawer System

Specifications & Ordering Guide

Pots & Pan Drawer, Double Round Lateral Rails



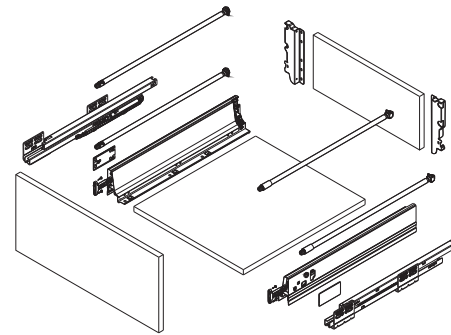
Product Features

- Finishes: Grey, & White
- Tool free assembly and removal of drawer
- Silent system guarantees smooth running
- Full adjustment (up, down, left, right)
- Standard 83mm height sides
- Dynamic load capacity: 40kg (88lbs)

Standard Drawer Kit (packaged as a complete set)

Order Standard Drawer Kit, plus these parts:

- Add a pair of rear double rail fixing brackets
- Add two pairs of internal front fixing brackets for single rail

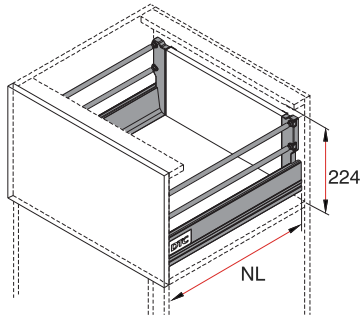


Round Lateral Rails				Rear Fixing Brackets for Single Rail		
Length	Grey	White	Qty.	Finish	Part#	Qty.
270mm	105-M41E270G	105-M41E270W	60	Grey	105-M01033G	20
300mm	105-M41E300G	105-M41E300W	60	White	105-M01033W	20
350mm	105-M41E350G	105-M41E350W	60			
400mm	105-M41E400G	105-M41E400W	60			
450mm	105-M41E450G	105-M41E450W	60			
500mm	105-M41E500G	105-M41E500W	60			
550mm	105-M41E550G	105-M41E550W	60			

Doublewall Drawer System

Specifications & Ordering Guide

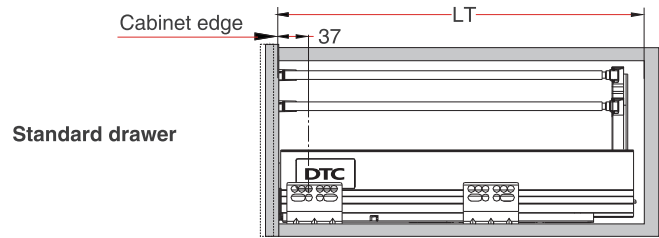
Space Requirements



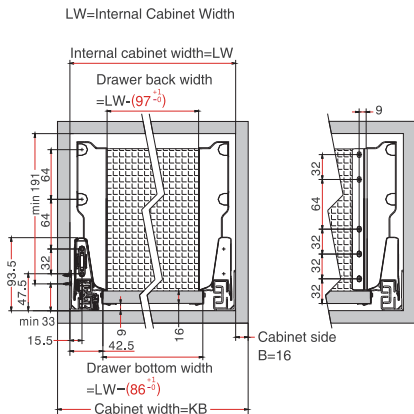
NL:Nominal length

Installation Dimensions

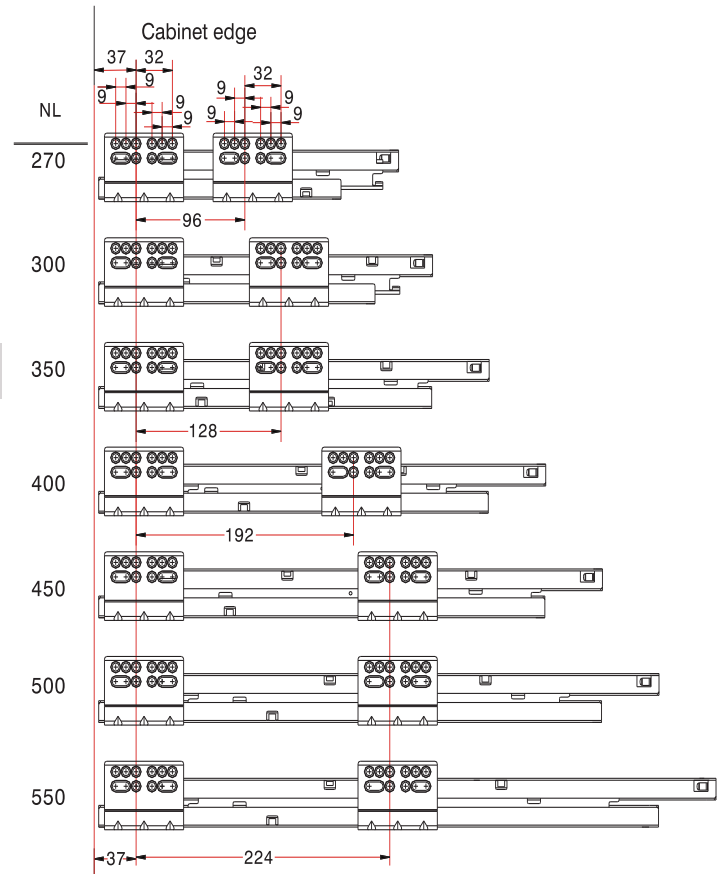
NL=Nominal Slide Length
 LT=Internal Cabinet Depth
 LT=NL+3



Installation Dimensions

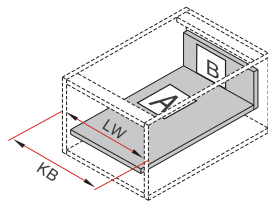
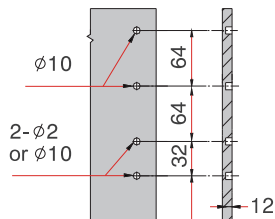


Drilling Pattern



Drawer Front, Back and Bottom Dimension

Drawer Front



KB = Cabinet Width
 LW = Internal Cabinet Width
 NL = Nominal Slide Length

