

LEGACY ENDURA

Technical Specifications & Assembly

Standard Drawer Kit, 126mm Height

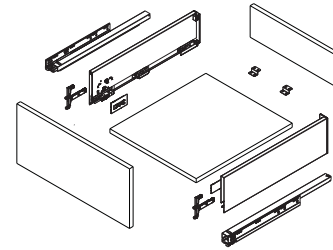


Product Features

- Modern Straight Slim box drawer system
- Silent system guarantees quiet, smooth run
- High dynamic load capacity: 40kg (88lbs)
- Concealed slide with full extension
- Tool free assembly and removal of drawer
- 2 Directional Adjustment

Standard Drawer Kit (packaged as a complete set)

- One pair of Full Extension Soft-Close Slides
- One pair of Endura Drawer Sides
- One set of inner cover caps
- Two universal drawer front connectors (with expansion dowel)
- One set of support brackets for bottom panel



Standard Drawer Kit Ordering Guide

Length (mm)	Length (Inch)	Matte Grey	Silk White
270mm	11"	105-MS126-GM270	105-MS126-SW270
300mm	12"	105-MS126-GM300	105-MS126-SW300
350mm	14"	105-MS126-GM350	105-MS126-SW350
400mm	16"	105-MS126-GM400	105-MS126-SW400
450mm	18"	105-MS126-GM450	105-MS126-SW450
500mm	20"	105-MS126-GM500	105-MS126-SW500
550mm	22"	105-MS126-GM550	105-MS126-SW550

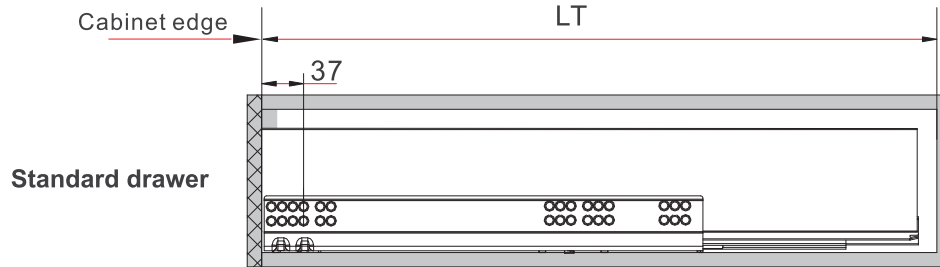
Additional Parts (Optional)

Description	Part#
Press-In Front Fixing Clip 126mm Height	105-HT02016
Expansion Dowel Front Fixing Clip 126mm Height (Included) Extra If Needed	105-HT0201B
Screw-On Front Fixing Clip 126mm Height	105-HT02011
Endura Marking Jig (88mm & 126mm)	105-TB0101A

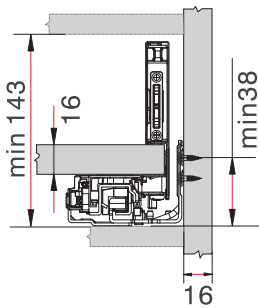


Installation Dimensions Standard

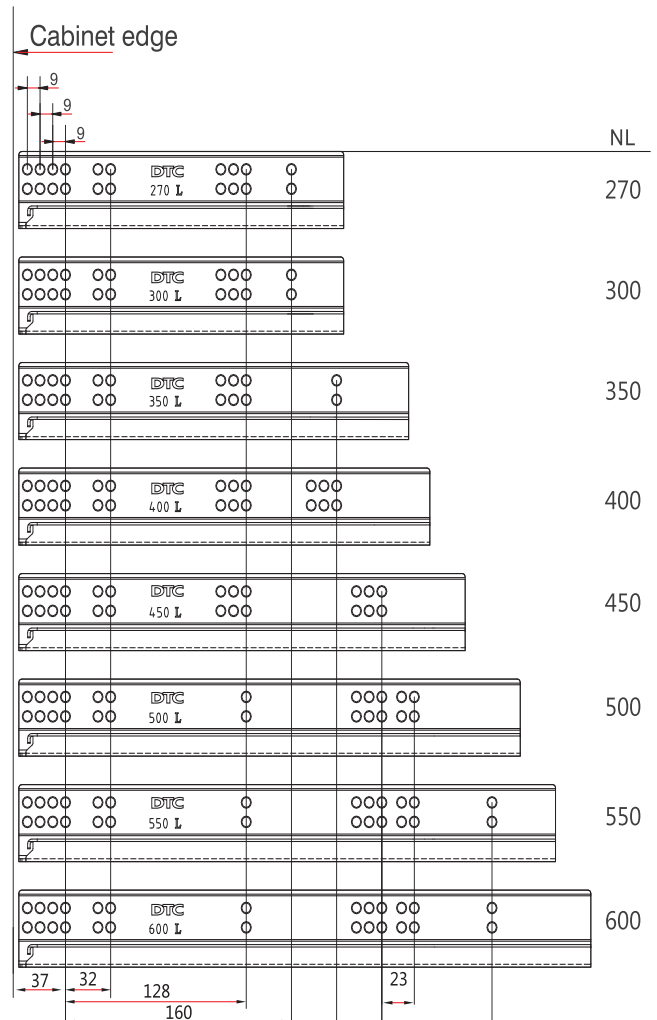
Internal cabinet depth =LT LT=NL+3



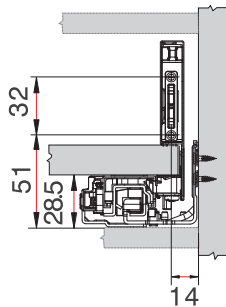
Space Requirements



Drilling Pattern

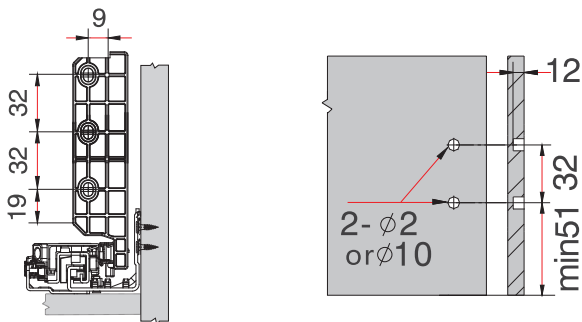


Front Installation



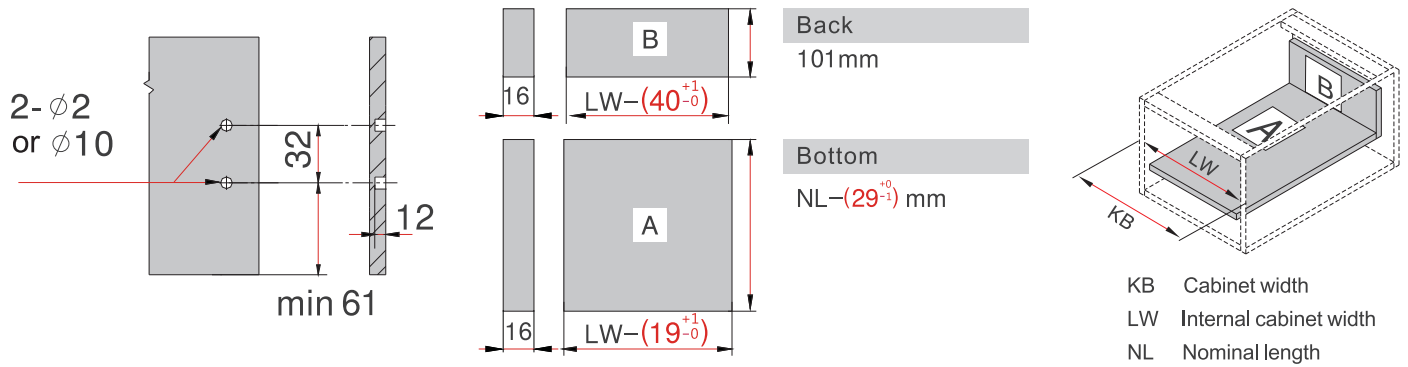
Back Installation

Drawer Front Drilling

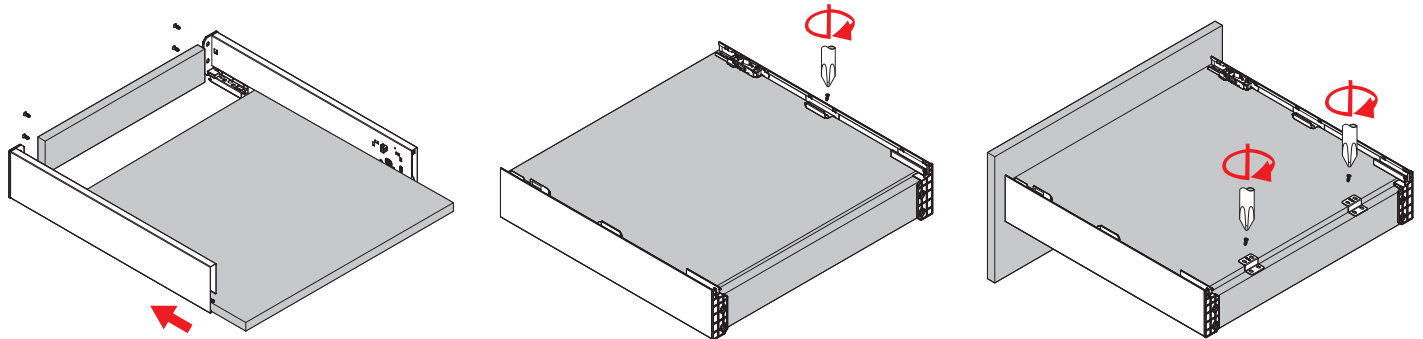




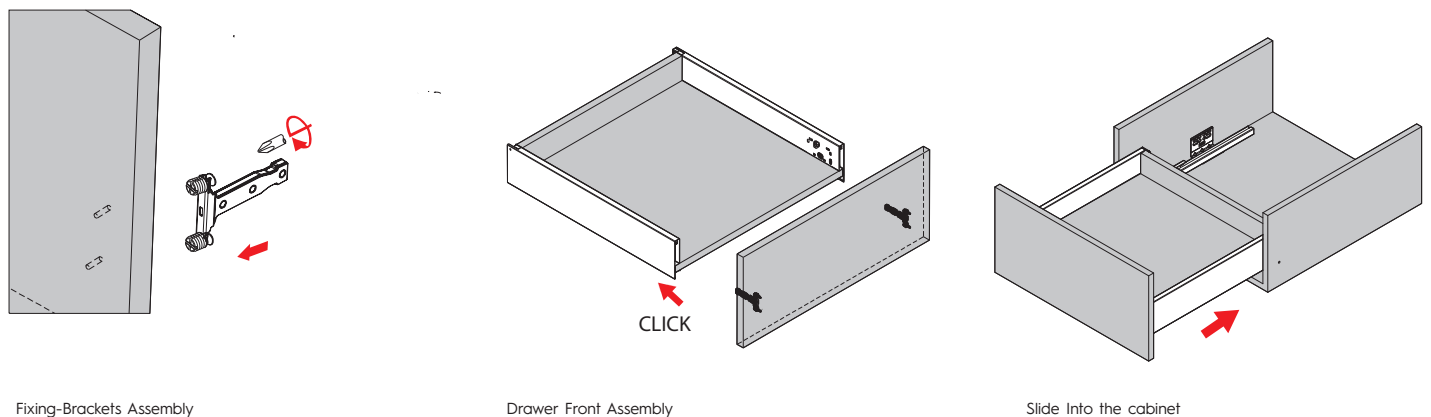
Drawer Front, Back & Bottom Dimensions



Bottom & Back Assembly

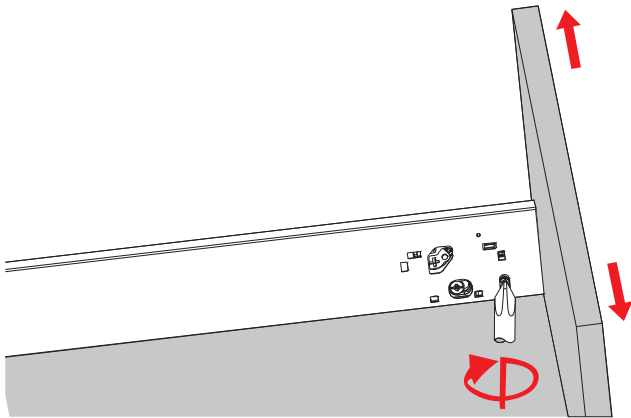


Drawer Front Assembly

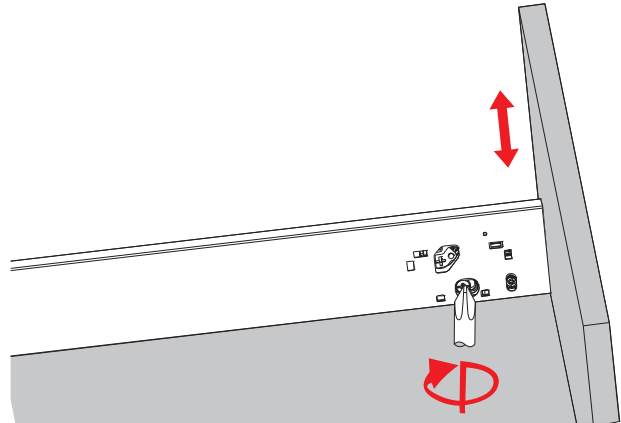




Adjustment

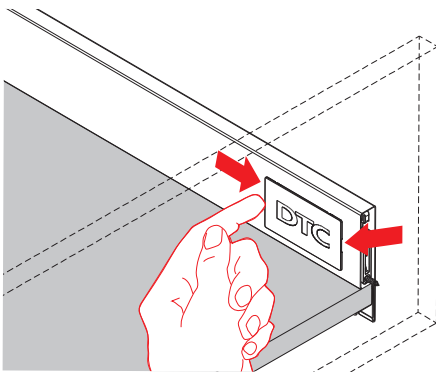


Left & Right Adjustment

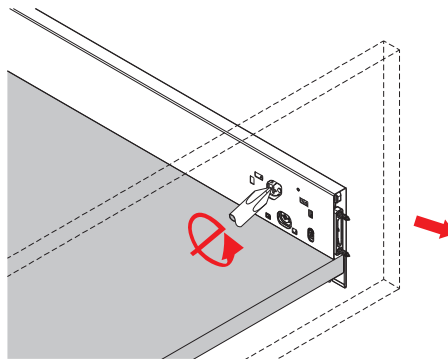


Up & Down Adjustment

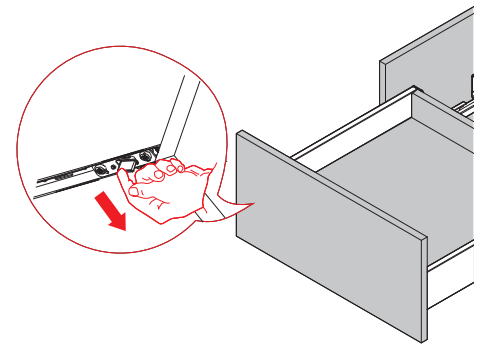
Removal



Remove the cover cap



Turn screw driver to release the drawer front



Press the locking device under the drawer box and pull out the drawer