

Internal Drawer Kit, 172mm Height

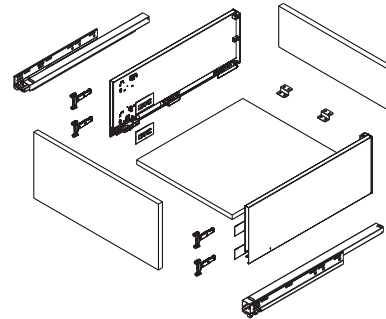


Product Features

- Modern Straight Slim box drawer system
- Silent system guarantees quiet, smooth run
- High dynamic load capacity: 40kg (88lbs)
- Concealed slide with full extension
- Tool free assembly and removal of drawer
- 2 Directional Adjustment

Standard Drawer Kit (packaged as a complete set)

- One pair of Full Extension Soft-Close Slides
- One pair of Endura Drawer Sides
- One set of inner cover caps
- One set of support brackets for bottom panel



Internal Drawer Kit Ordering Guide

Length (mm)	Length (Inch)	Matte Grey	Silk White
270mm	11"	105-MS172-GM270	105-MS172-SW270
300mm	12"	105-MS172-GM300	105-MS172-SW300
350mm	14"	105-MS172-GM350	105-MS172-SW350
400mm	16"	105-MS172-GM400	105-MS172-SW400
450mm	18"	105-MS172-GM450	105-MS172-SW450
500mm	20"	105-MS172-GM500	105-MS172-SW500
550mm	22"	105-MS172-GM550	105-MS172-SW550

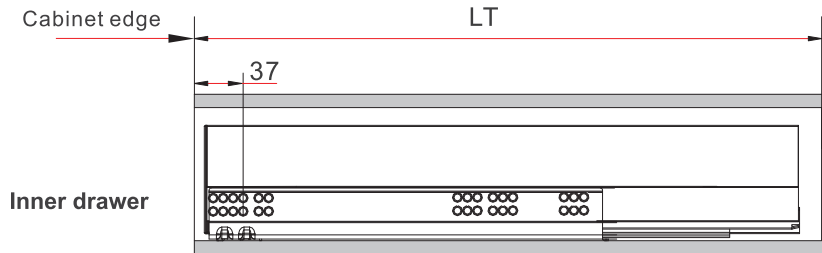
Additional Parts (Required)

Description	Part#
Square Cross Rail Connector "Matte Grey"	105-HT10072-GM
Square Cross Rail Connector "Silk White"	105-HT10072-SW
Rail Divider "Matte Grey"	105-HT10074-GM
Rail Divider "Silk White"	105-HT10074-SW
Front Fixing Plastic Bracket 172mm Height "Grey" for Inner Drawer	105-HE13014-GM
Front Fixing Plastic Bracket 172mm Height "White" for Inner Drawer	105-HE13014-SW



Installation Dimensions Inner Drawer

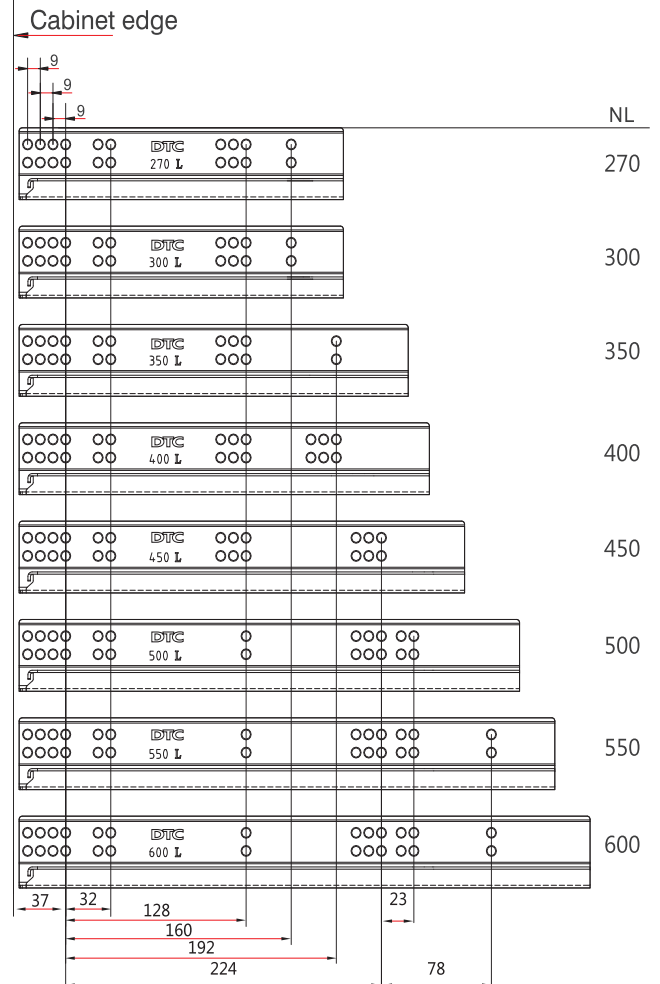
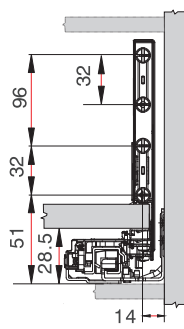
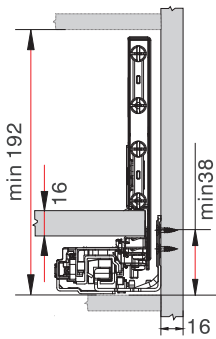
Soft close slides: $LT = NL + 3$



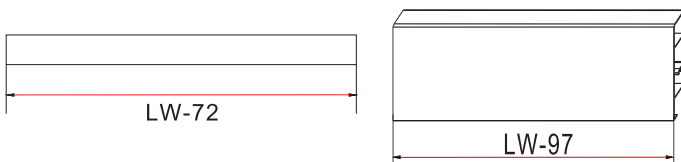
Space Requirements

Front Installation

Drilling Pattern

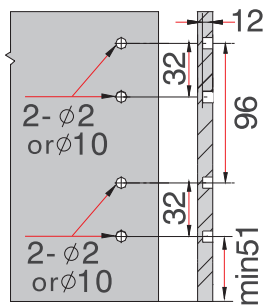
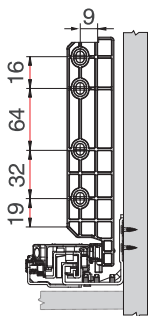


"Cutt to Length" Cross Rail & Internal Front



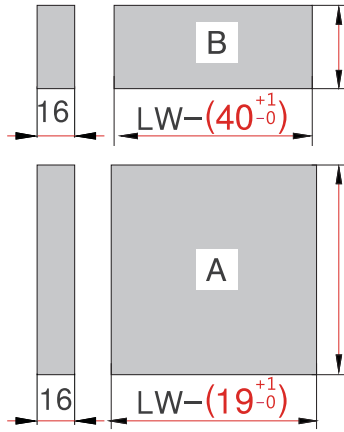
Back Installation

Drawer Front Drilling



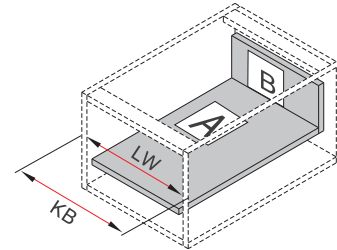


Back & Bottom Dimensions



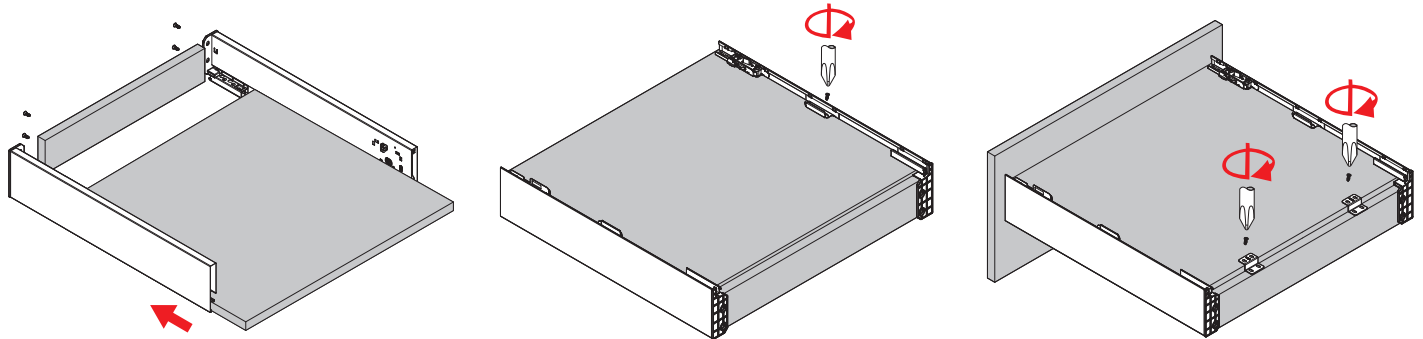
Back
148mm

Bottom
NL - (29 +0/-1) mm

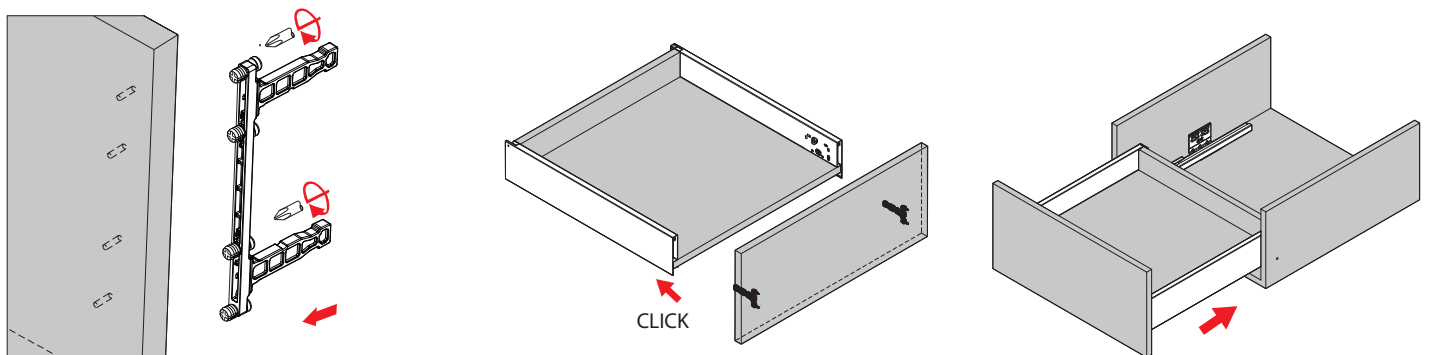


KB Cabinet width
LW Internal cabinet width
NL Nominal length

Bottom & Back Assembly



Drawer Front Assembly



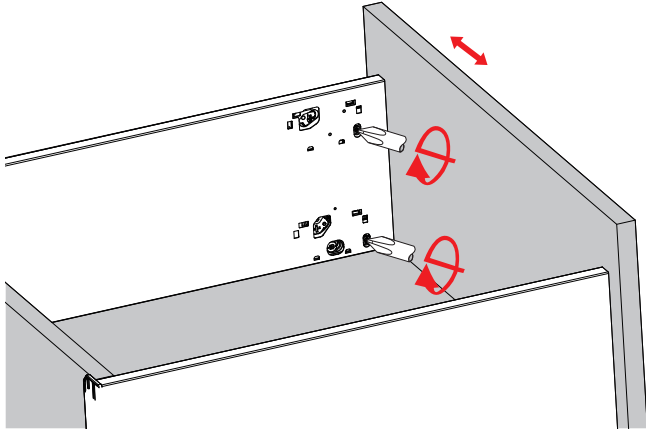
Fixing-Brackets Assembly

Drawer Front Assembly

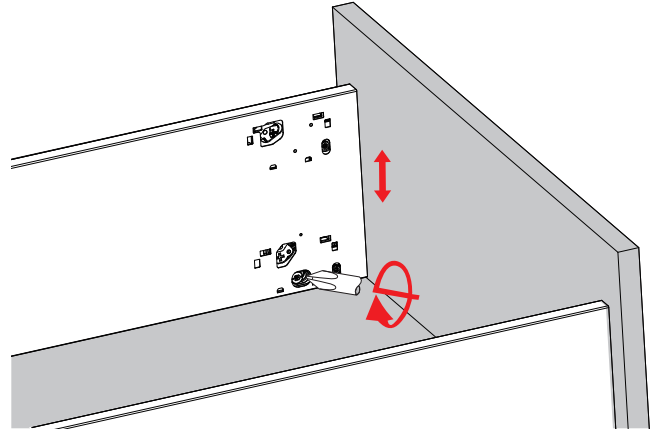
Slide Into the cabinet



Adjustment

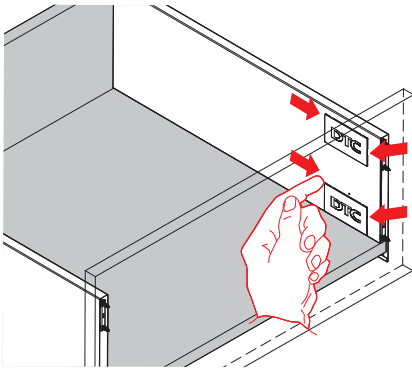


Left & Right Adjustment

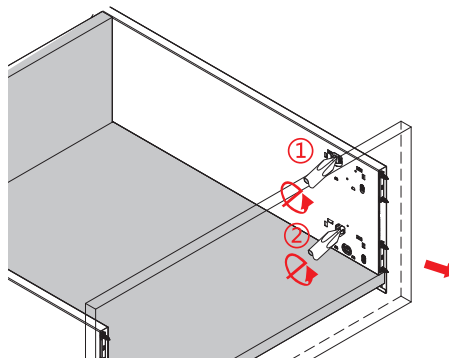


Up & Down Adjustment

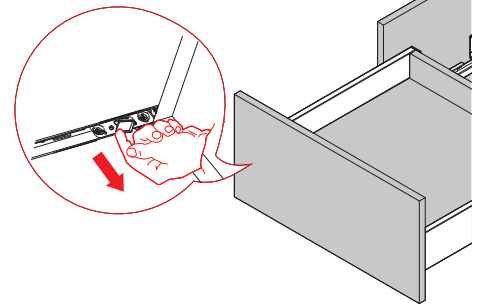
Removal



Remove the cover cap



Turn screw driver to release the drawer front



Press the locking device under the drawer box and pull out the drawer

Internal Drawer Front Assembly

