

Standard Drawer Kit, 238mm Height

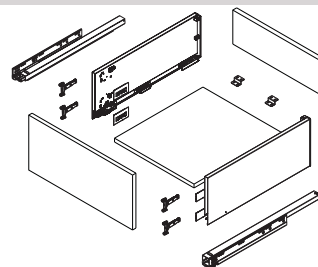
Product Features



- Modern Straight Slim box drawer system
- Two on-trend colours: Matte Grey, Silk White
- Silent system guarantees quiet, smooth run
- Concealed undermount slide with full extension
- Tool-free assembly and removal of drawer
- 6-way adjustment: Height, Lateral, Tilt
- High dynamic load capacity: 40kg (88lbs)

Standard Drawer Kit (packaged as a complete set)

- One pair of Full Extension Soft-Close Slides
- One pair of Endura Drawer Sides
- One set of inner cover caps
- Two universal drawer front connectors (with expansion dowel)
- One set of support brackets for bottom panel



Standard Drawer Kit Ordering Guide

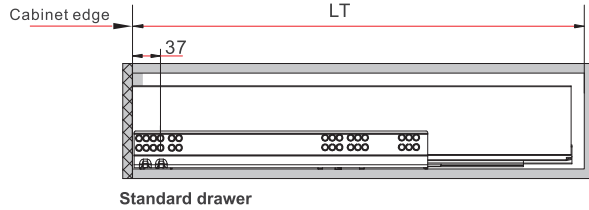
Length (mm)	Length (Inch)	Matte Grey	Silk White
270mm	11"	105-MS238T-GM270	105-MS238T-SW270
300mm	12"	105-MS238T-GM300	105-MS238T-SW300
350mm	14"	105-MS238T-GM350	105-MS238T-SW350
400mm	16"	105-MS238T-GM400	105-MS238T-SW400
450mm	18"	105-MS238T-GM450	105-MS238T-SW450
500mm	20"	105-MS238T-GM500	105-MS238T-SW500
550mm	22"	105-MS238T-GM550	105-MS238T-SW550
600mm	24"	105-MS238T-GM600	105-MS238T-SW600

Additional Parts (Optional)

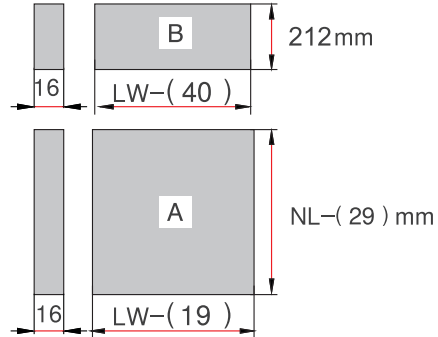
Description	Part#
Press-In Front Fixing Clip 238mm Height	105-HE13016X
Expansion Dowel Front Fixing Clip 238mm Height (Included) Extra If Needed	105-HE1301BX
Screw-On Front Fixing Clip 238mm Height	105-HE13011X
Endura Marking Jig (172/238mm)	105-HE1301A

Space Requirements Standard Drawer

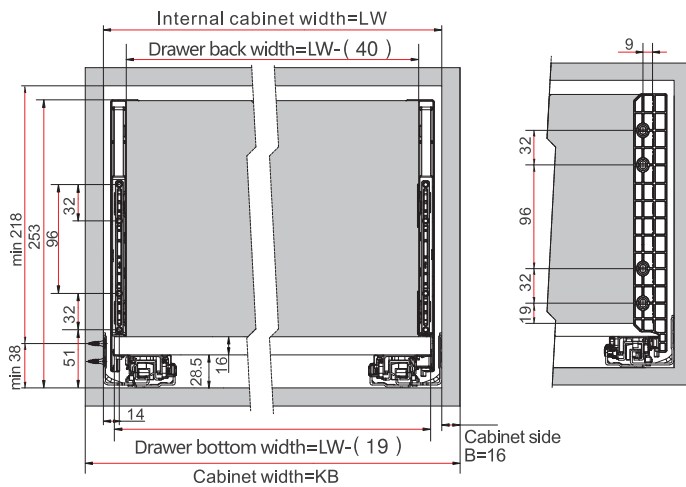
Internal cabinet depth = LT $LT = NL + 3$



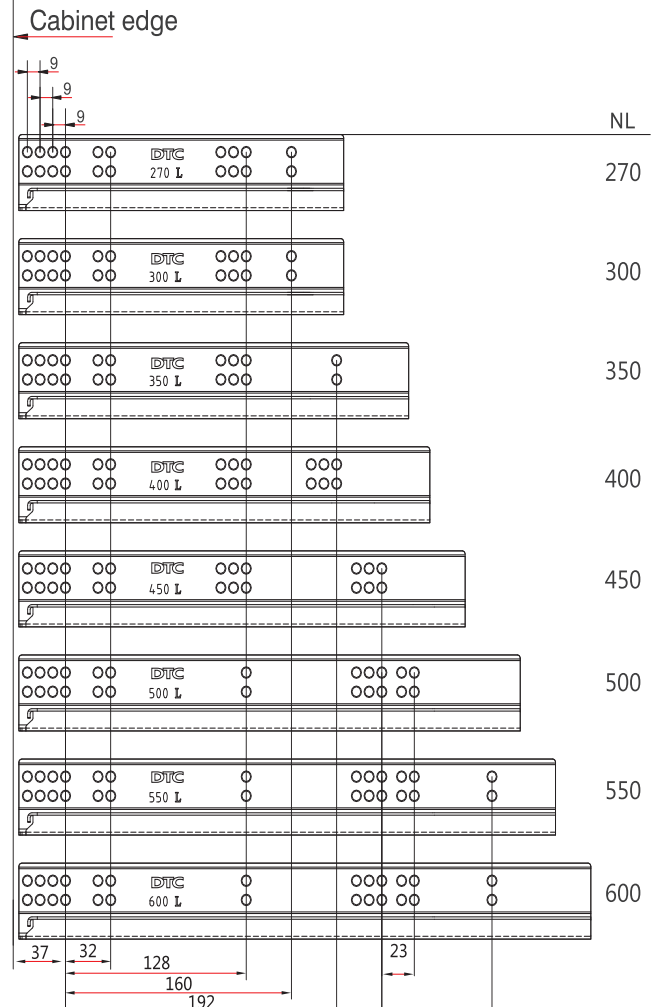
Back and Bottom Dimensions



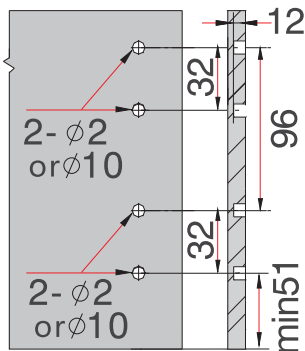
Installation Dimensions (mm)



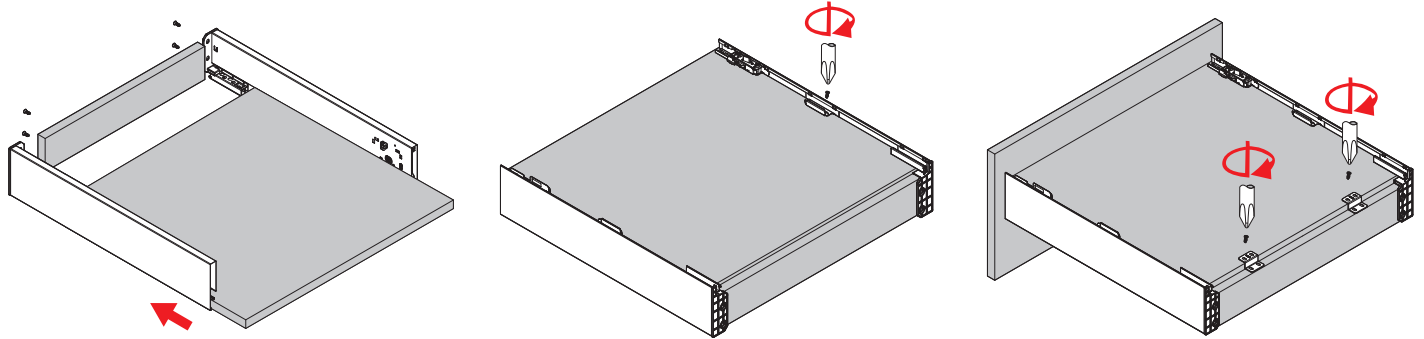
Drilling Pattern



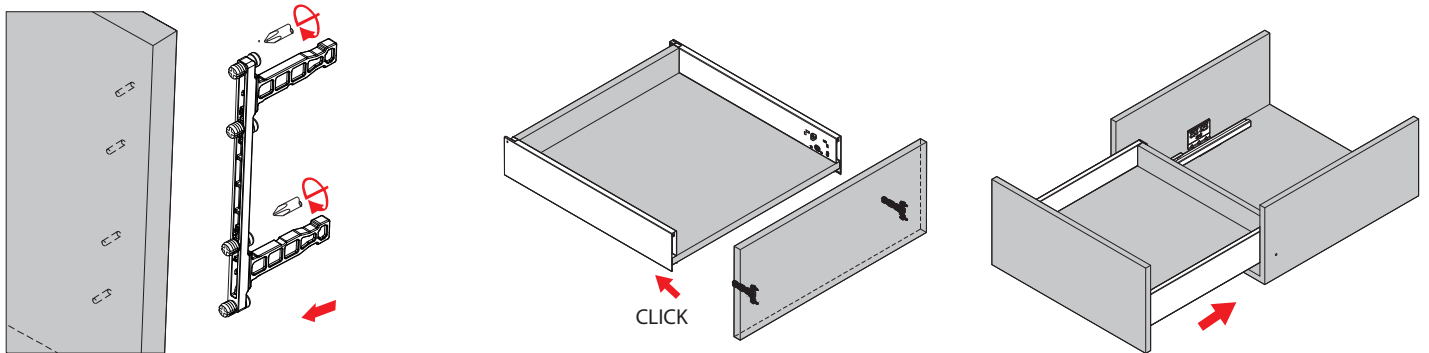
Drawer Front Drilling



Bottom & Back Assembly



Drawer Front Assembly

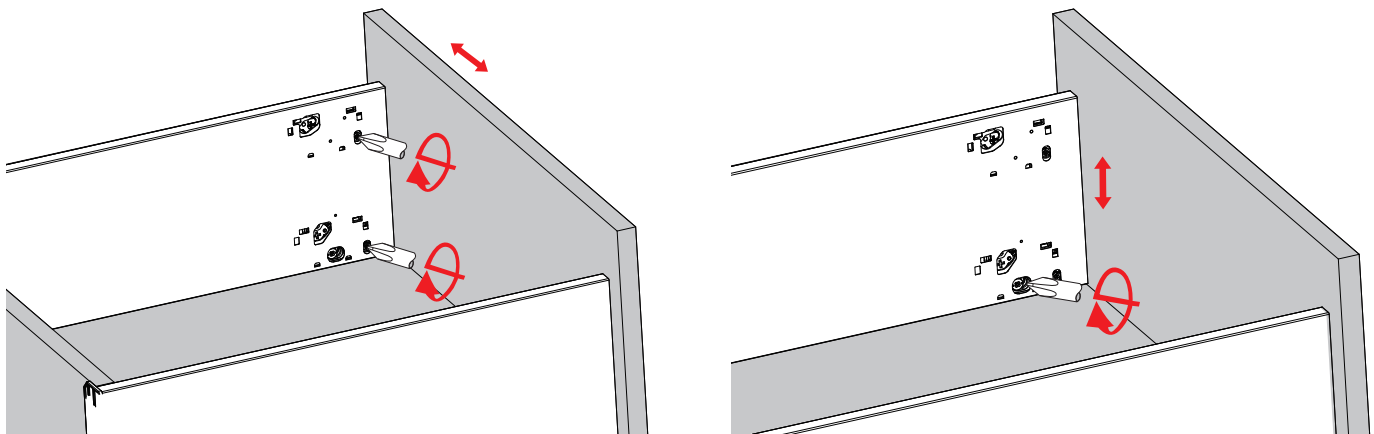


Fixing-Brackets Assembly

Drawer Front Assembly

Slide into the cabinet

Adjustment

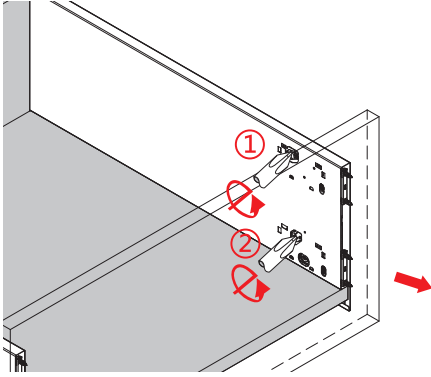


Lateral (Left & Right) Adjustment

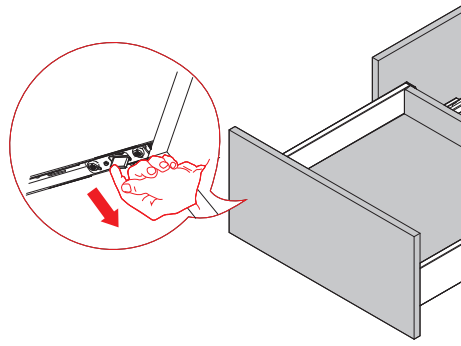
Height Adjustment



Removal



Turn screw driver to release the drawer front



Press the locking device under the drawer box and pull out the drawer