

Standard Drawer Kit, 88mm Height

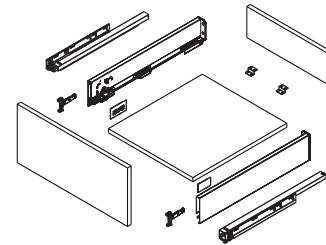


Product Features

- Modern Straight Slim box drawer system
- Silent system guarantees quiet, smooth run
- Dynamic load capacity: 40kg (88lbs)
- Concealed slide with full extension
- Tool free assembly and removal of drawer
- 2 Directional Adjustment

Standard Drawer Kit (packaged as a complete set)

- One pair of Full Extension Soft-Close Slides
- One pair of Endura Drawer Sides
- One set of inner cover caps
- Two universal drawer front connectors (with expansion dowel)
- One set of support brackets for bottom panel



Standard Drawer Kit Ordering Guide

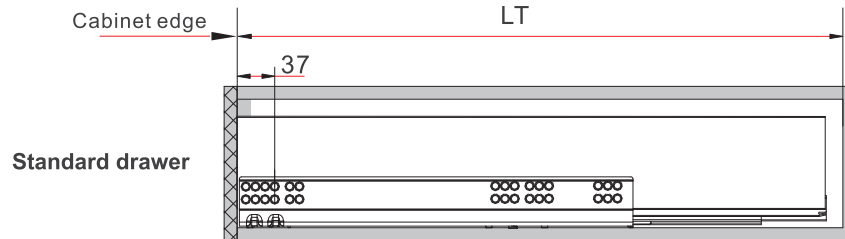
Length (mm)	Length (Inch)	Matte Grey	Silk White
270mm	11"	105-MS88-GM270	105-MS88-SW270
300mm	12"	105-MS88-GM300	105-MS88-SW300
350mm	14"	105-MS88-GM350	105-MS88-SW350
400mm	16"	105-MS88-GM400	105-MS88-SW400
450mm	18"	105-MS88-GM450	105-MS88-SW450
500mm	20"	105-MS88-GM500	105-MS88-SW500
550mm	22"	105-MS88-GM550	105-MS88-SW550

Additional Parts (Optional)

Description	Part#
Press-In Front Fixing Clip 88mm Height	105-HE11016
Expansion Dowel Front Fixing Clip 88mm Height (Included) Extra If Needed	105-HE1101B
Screw-On Front Fixing Clip 88mm Height	105-HE11011
Endura Marking Jig (88mm & 126mm)	105-TB0101A

Installation Dimensions Standard

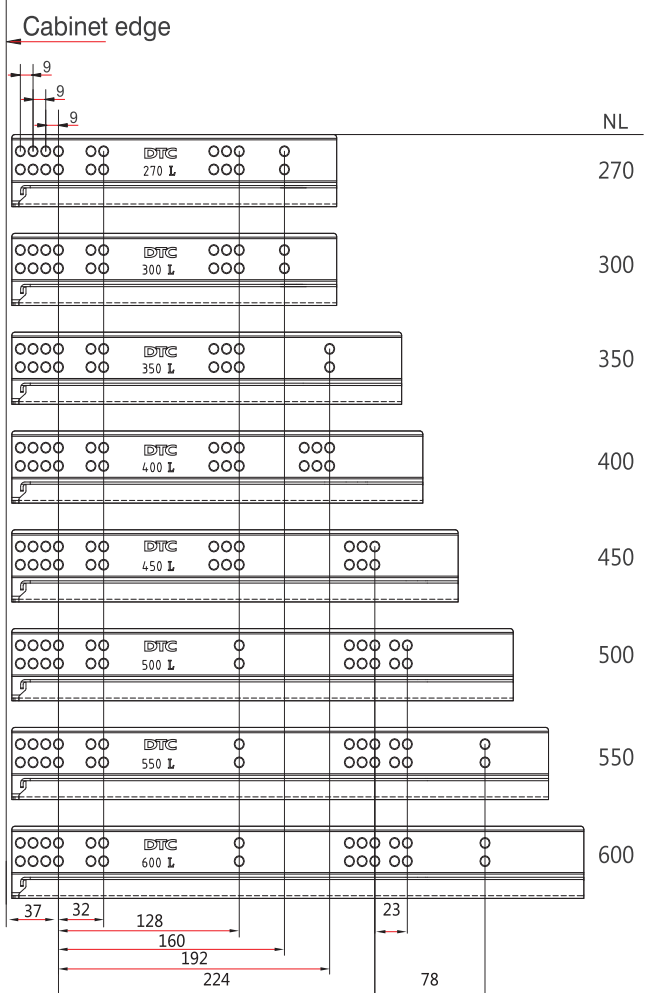
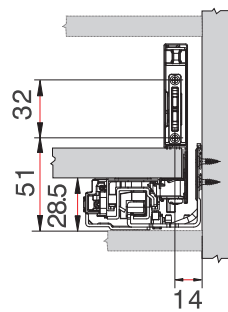
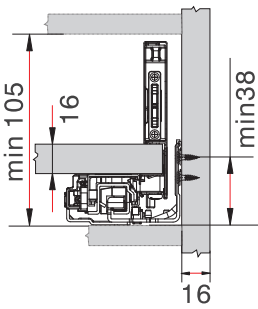
Internal cabinet depth =LT LT=NL+3



Space Requirements

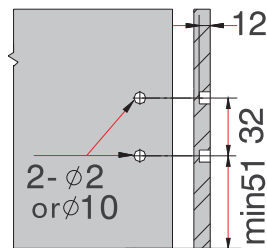
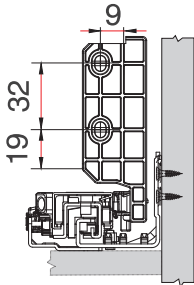
Front Installation

Drilling Pattern



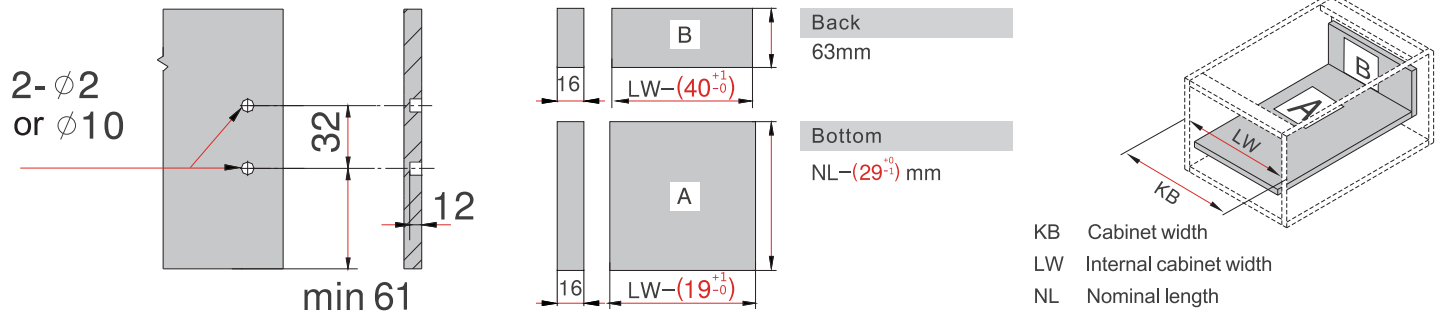
Back Installation

Drawer Front Drilling



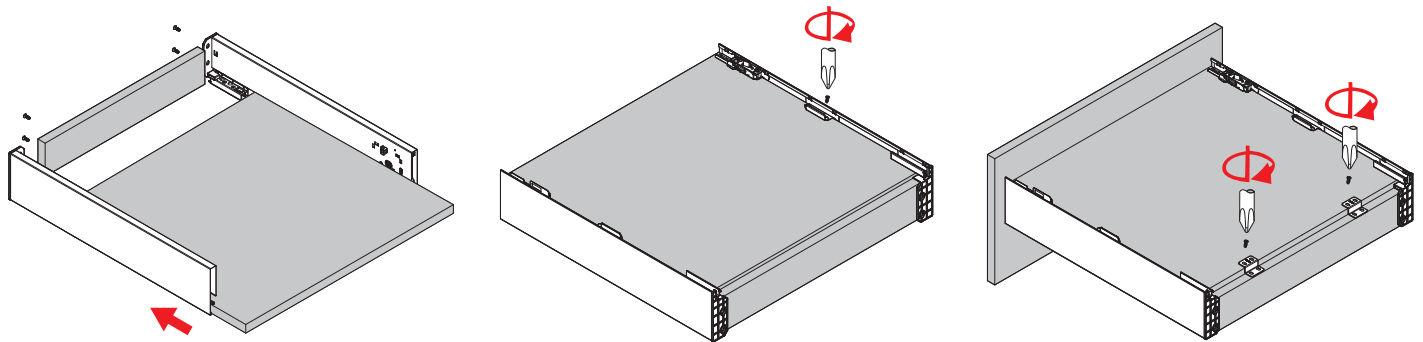


Drawer Front, Back & Bottom Dimensions

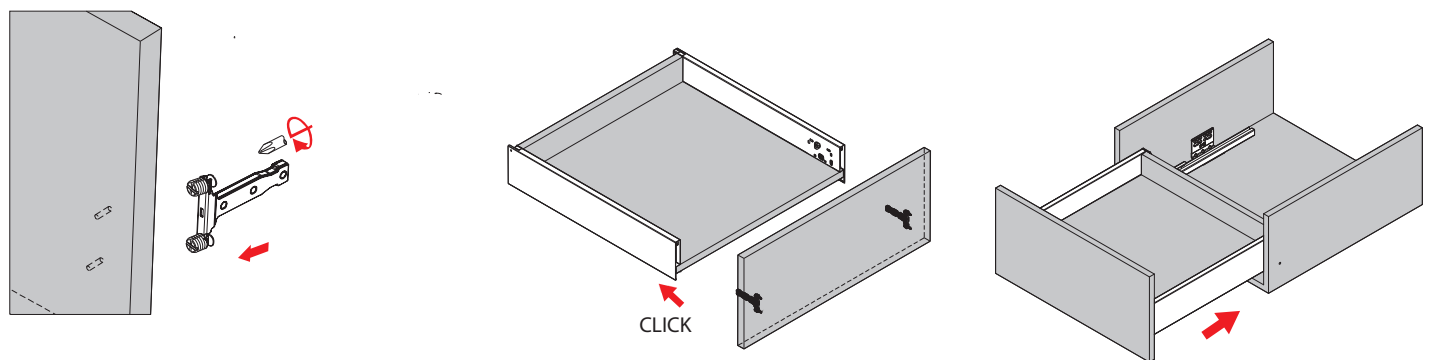


Bottom & Back Assembly

Front Bracket Assembly



Drawer Front Assembly



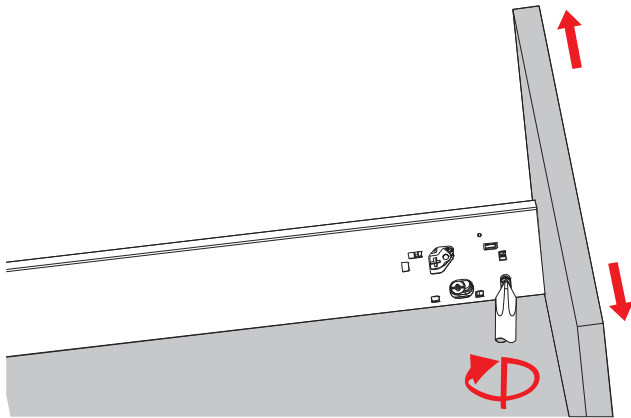
Fixing-Brackets Assembly

Drawer Front Assembly

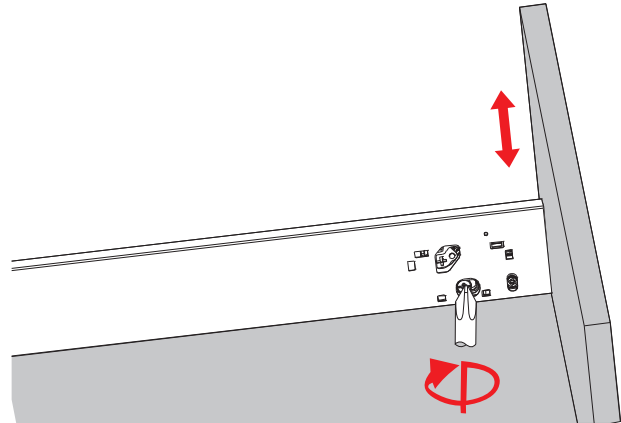
Slide Into the cabinet



Adjustment

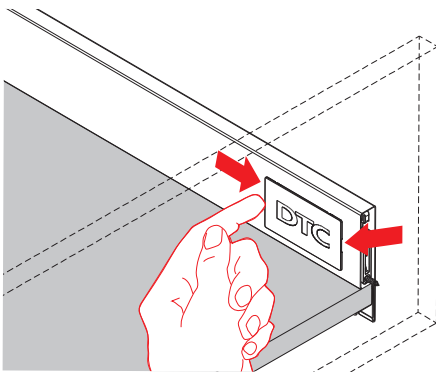


Left & Right Adjustment

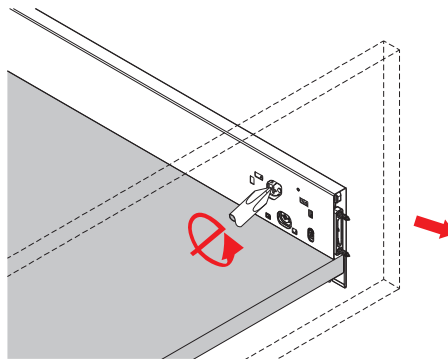


Up & Down Adjustment

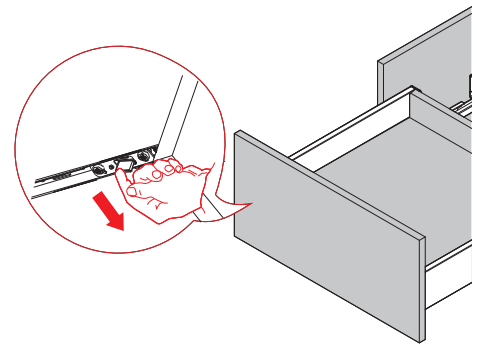
Removal



Remove the cover cap



Turn screw driver to release the drawer front



Press the locking device under the drawer box and pull out the drawer