

M-Series AEON20 Undermount



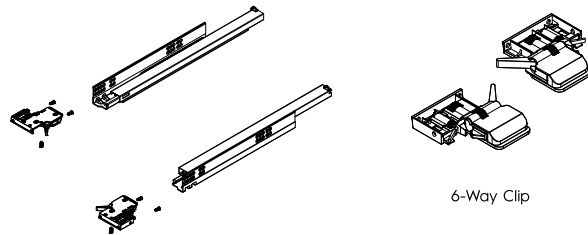
Product Features

The M-Series Aeon20 full-extension soft-close undermount slide comes with a 6-way adjustment clip for total installation freedom and carries a load capacity of 35kg (77lbs). An optional 2-way adjustment clip is also available for narrow drawers.

- Full-extension for complete access to drawer interior
- 9 lengths available (250mm-600mm)
- Adjustable soft-close
- Includes 6-way adjustment clip: Height 0-3mm, Side +/- 2mm, Depth 0-2mm.
- Optional 2-way adjustment clip: Height 0-3mm.

What's In the Box

- 10 sets of undermount slides
- 10 sets of 6-way front locking clip



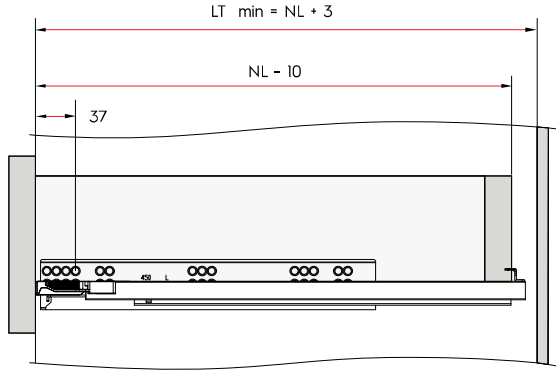
AEON20 Undermount Ordering Guide

Length (mm/inch)	Part#	Set/Box
250mm (10")	115-AE20-250	10
270mm (11")	115-AE20-270	10
300mm (12")	115-AE20-300	10
350mm (14")	115-AE20-350	10
400mm (16")	115-AE20-400	10
450mm (18")	115-AE20-450	10
500mm (20")	115-AE20-500	10
550mm (22")	115-AE20-550	10
600mm (24")	115-AE20-600	10

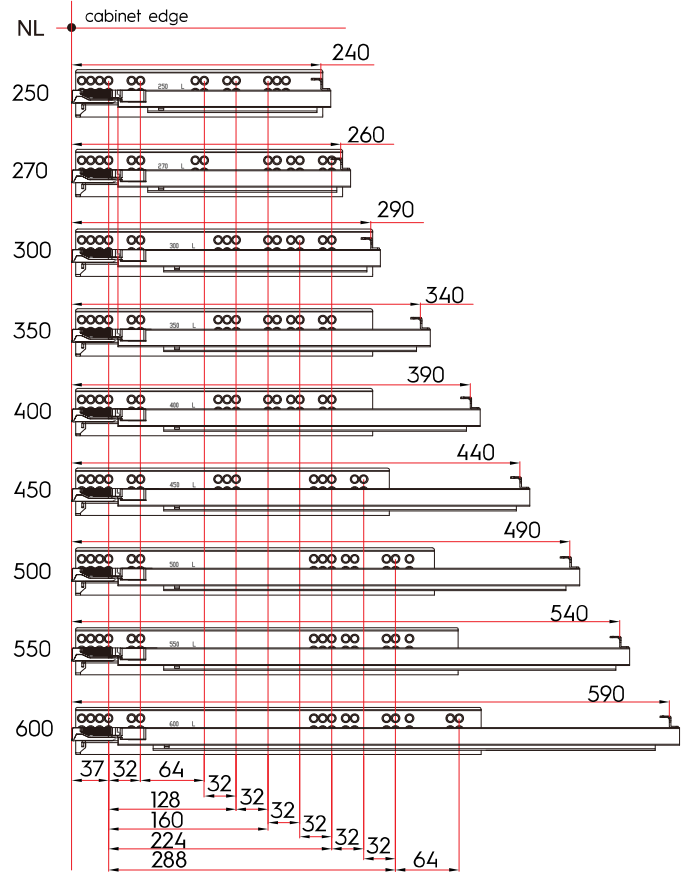
Locking Clips Ordering Guide

Description	Part#	Set/Box
6-way Adjustable locking clips (Included)	115-AE20-AE30-3D	50
2-way Adjustable locking clips (Sold Separately)	115-AE20-AE30-1D	50

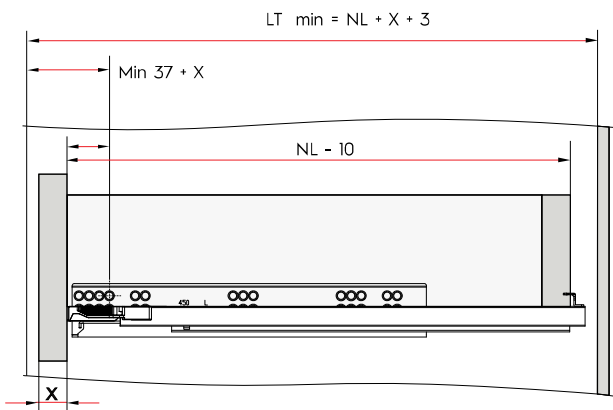
Overlay Installation Dimensions



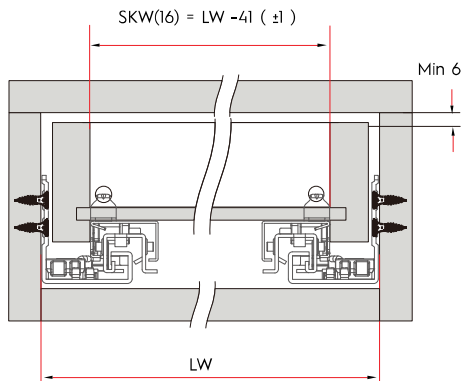
Drilling Pattern



Inset Installation Dimensions

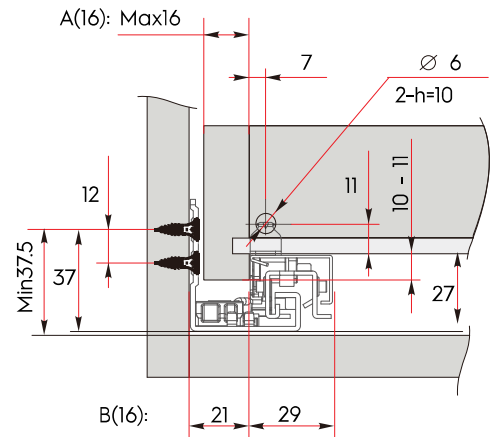


Back Assembly



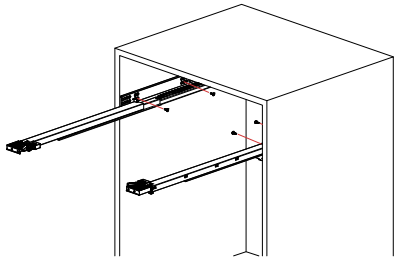
LW - Cabinet inner width
SKW(16) - Drawer inner width (S16mm drawer side thickness)

Slide Rail Dimensions

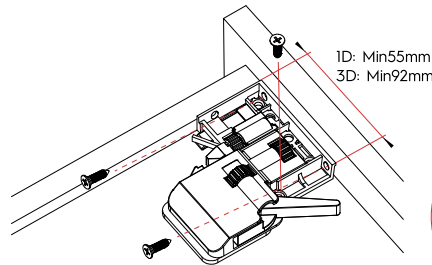


A(16) / B(16) - Maximum drawer side thickness: 16mm

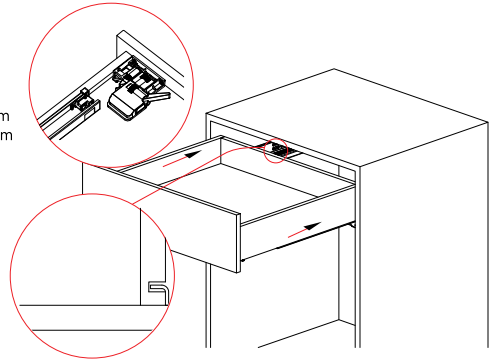
Drawer Assembly



Install the slides onto the cabinet

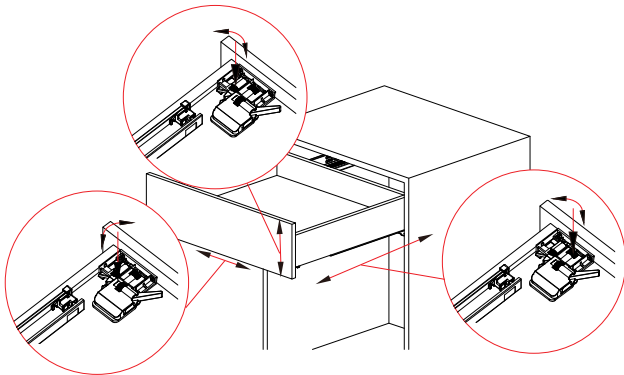


Fix left/right clip to the front of the drawer

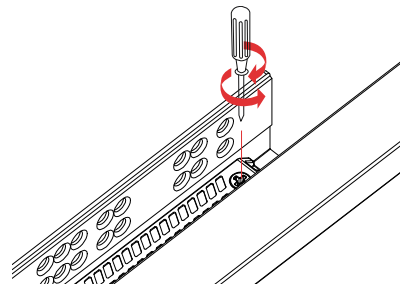


Install the drawer on the slides, slide hooks insert into the pre-drilled holes on the drawer back panel

Slide Adjustment

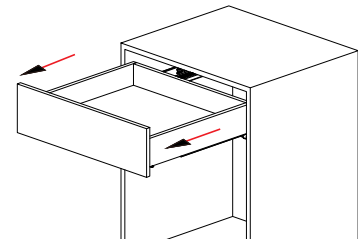
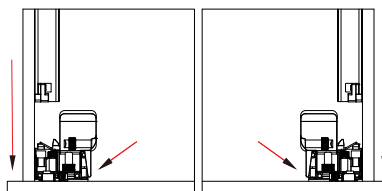
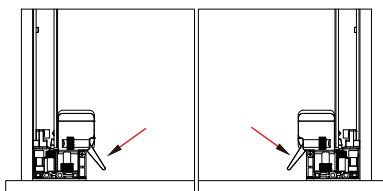


Adjust the front panel with plastic wheel on the handle
 1D & 3D (Up and down adjustment + 3 mm.)
 3D (Front and back adjustment ± 2 mm.)
 3D (Left and right adjustment ± 2 mm.)



Adjustable opening and closing mechanism:
 When the drawer requires more than a 20kg dynamic load capacity, adjust the eccentric screw on the damper. Up to 25% more strength will be applied, to create a smooth motion.

Drawer Removal



Push the handle lever to unlock the drawer, then pull out the drawer