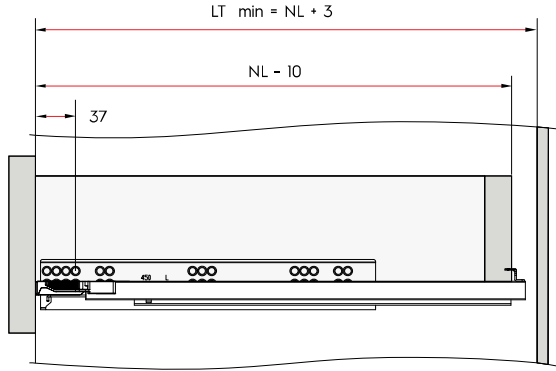
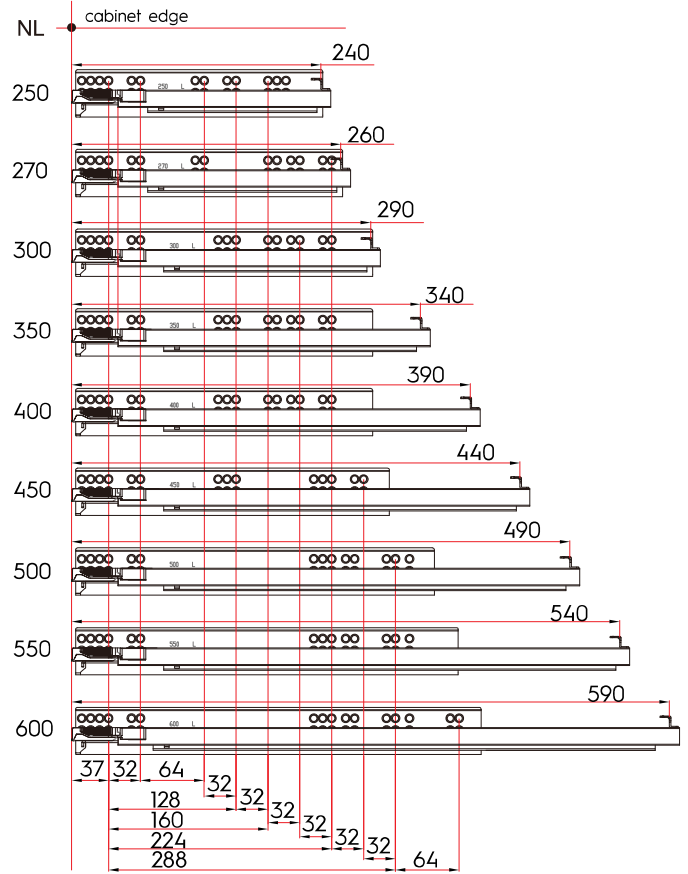


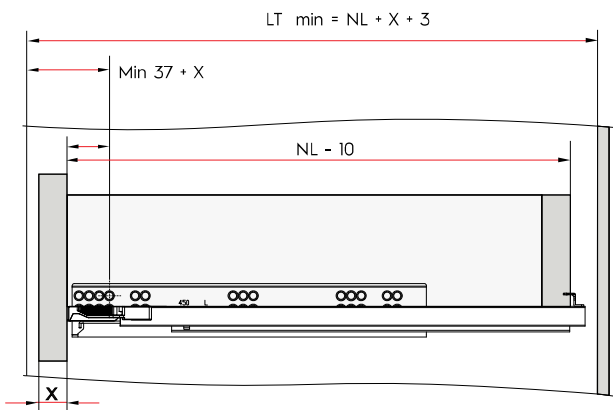
Overlay Installation Dimensions



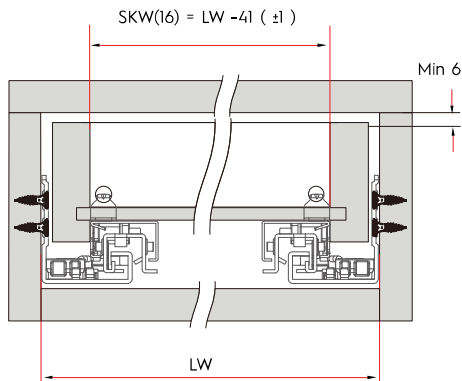
Drilling Pattern



Inset Installation Dimensions

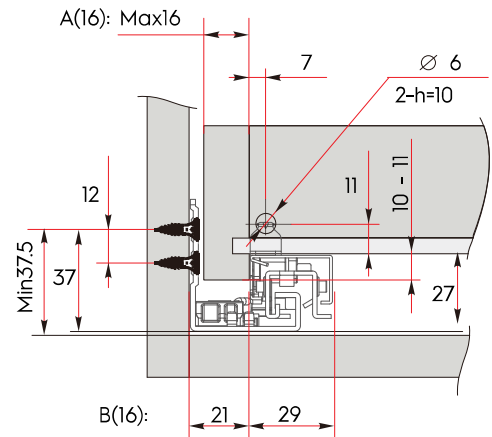


Back Assembly



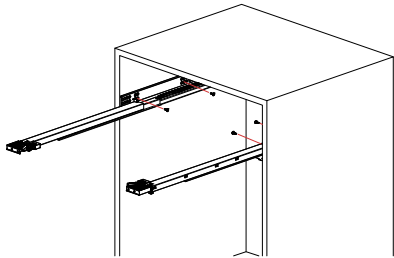
LW - Cabinet inner width
SKW(16) - Drawer inner width (S16mm drawer side thickness)

Slide Rail Dimensions

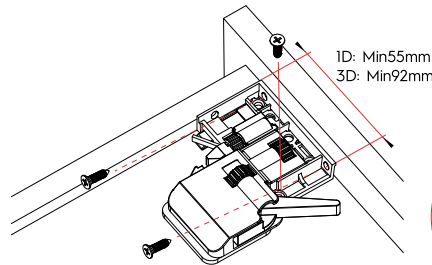


A(16) / B(16) - Maximum drawer side thickness: 16mm

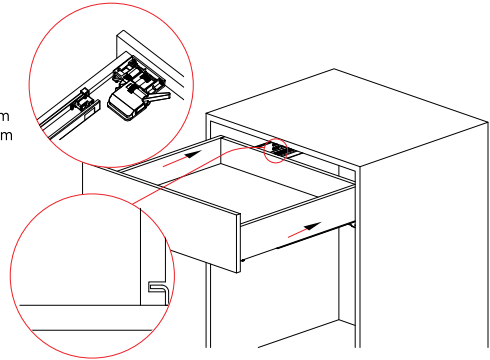
Drawer Assembly



Install the slides onto the cabinet

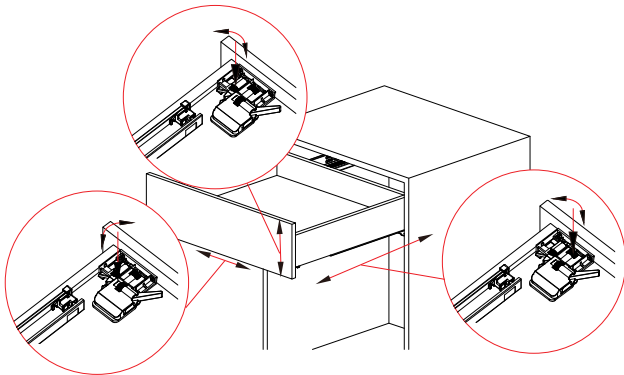


Fix left/right clip to the front of the drawer

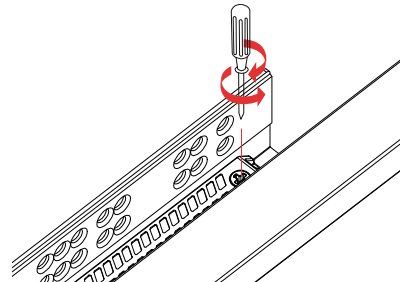


Install the drawer on the slides, slide hooks insert into the pre-drilled holes on the drawer back panel

Slide Adjustment

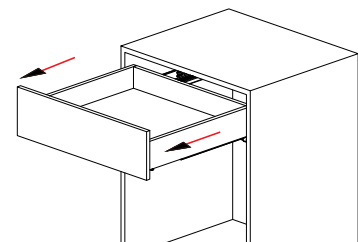
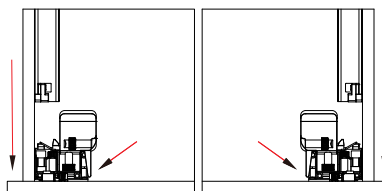
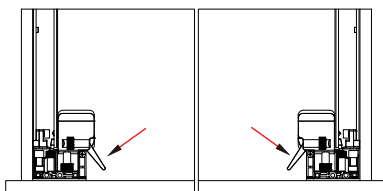


Adjust the front panel with plastic wheel on the handle
 1D & 3D (Up and down adjustment + 3 mm.)
 3D (Front and back adjustment \pm 2 mm.)
 3D (Left and right adjustment \pm 2 mm.)



Adjustable opening and closing mechanism:
 When the drawer requires more than a 20kg dynamic load capacity, adjust the eccentric screw on the damper. Up to 25% more strength will be applied, to create a smooth motion.

Drawer Removal



Push the handle lever to unlock the drawer, then pull out the drawer