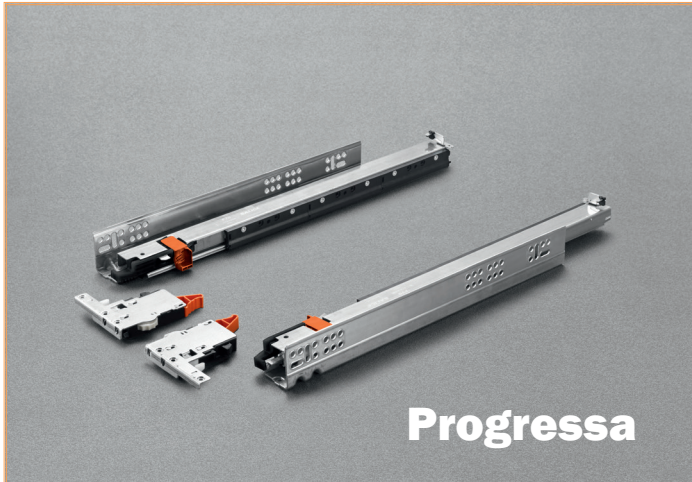


Progressa

by **SALICE**



- Progressa slides **meet and exceed Ansi BHMA A156.9-2020 Grade 1 standard**
- Full extension with a synchronized mechanism. Available in **Soft Close, integrated Push-to-Open** and **Shelf** version
- Tool free **height adjustments + 2.5 mm**
Tool free **depth adjustments +/- 3 mm**
Tool free **side adjustments +/- 1.5 mm**
- Lifetime warranty, 100% Made in Italy

**Technical
catalog**

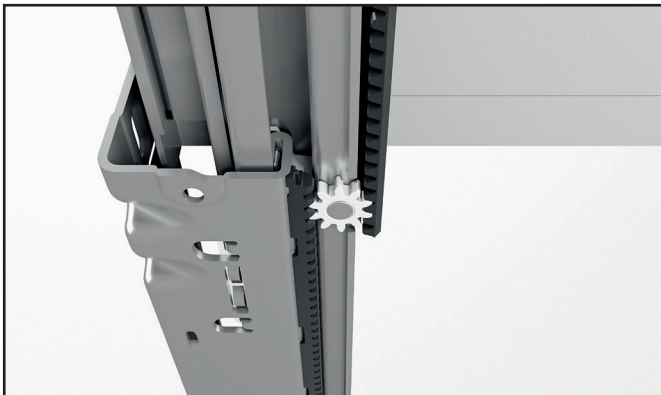


Progressa, a cutting-edge generation of high-performance, full extension undermount drawer runners that redefine precision and durability.

- **True progressive action**
- **Static** load capacities ranging from **55 kg** on Progressa to **78 kg** on Progressa+
Dynamic loads spanning from **45 kg** on Progressa to **70 kg** on Progressa+
- **Length range from 350 mm to 750 mm** in 50 mm increments
- **No additional stabilizer bar needed**
- **Compatible with drawer side material thicknesses between 13 mm (1/2") and 16 mm (5/8")**

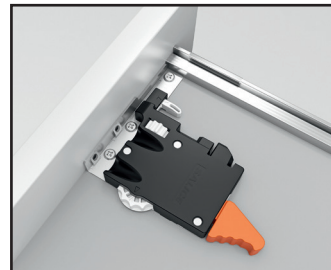


S-Drive System



All versions and lengths of Progressa have an integrated **rack and pinion system**, which synchronizes the sliding elements and guarantees a **true progressive action**, excellent lateral stability and a perfectly silent movement.

Front Locking Devices



AFCGXX3B

Standard mount -
6-way adjustable



AFCEX56B

Standard mount -
2-way clip, with
side fixing

For any further information and requests:

info.salice@salicecanada.com
www.salicecanada.com

Part Numbers & Packaging

Progressa Smove

16 mm (5/8") drawer - Soft close for 13 mm (1/2") to 16 mm (5/8") material thickness

SMOVE	LENGTH	BOX	PALLET
A6555/25	250 mm	6 cp	240 cp
A6555/30	300 mm	6 cp	240 cp
G5E6S350XXF6	350 mm	6 cp	192 cp
G5E6S400XXF6	400 mm	6 cp	192 cp
G5E6S450XXF6	450 mm	6 cp	192 cp
G5E6S500XXF6	500 mm	6 cp	192 cp
G5E6S550XXF6	550 mm	6 cp	192 cp

Progressa+ Smove

16 mm (5/8") drawer - Soft close for 13 mm (1/2") to 16 mm (5/8") material thickness

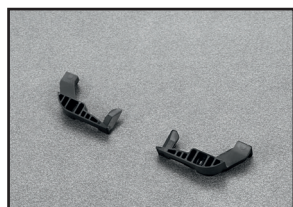
SMOVE	LENGTH	BOX	PALLET
G7E6S350XXF6	350 mm	6 cp	192 cp
G7E6S400XXF6	400 mm	6 cp	192 cp
G7E6S450XXF6	450 mm	6 cp	192 cp
G7E6S500XXF6	500 mm	6 cp	192 cp
G7E6S550CXF6	550 mm	6 cp	192 cp
G7E6S600XXF2	600 mm	2 cp	128 cp
G7E6S650XXF2	650 mm	2 cp	128 cp
G7E6S700XXF2	700 mm	2 cp	128 cp
G7E6S750XXF2	750 mm	2 cp	128 cp

Progressa+ Push to open

16 mm (5/8") drawer - Push system for 13 mm (1/2") to 16 mm (5/8") material thickness

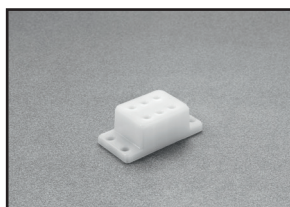
PUSH	LENGTH	BOX	PALLET
G7E6P350XXF6	350 mm	6 cp	192 cp
G7E6P400XXF6	400 mm	6 cp	192 cp
G7E6P450XXF6	450 mm	6 cp	192 cp
G7E6P500XXF6	500 mm	6 cp	192 cp
G7E6P550XXF6	550 mm	6 cp	192 cp
G7E6P600XXF2	600 mm	2 cp	128 cp
G7E6P650XXF2	650 mm	2 cp	128 cp
G7E6P700XXF2	700 mm	2 cp	128 cp
G7E6P750XXF2	750 mm	2 cp	128 cp

Accessories



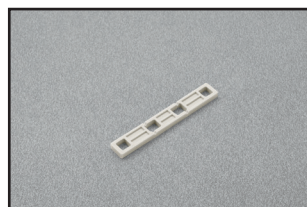
AGLRXX3F

Tilt adjustment lever



ASPAKERFUT

Side spacer



AFSFXXB

Spacer for 1/2" drawer sub-fronts



APKF7X51150

Push Synchronizer bar