

Salice Progressa+



Product Features

The Salice Progressa+ is proudly 100% made in Italy. This advanced drawer slide is designed to deliver exceptional performance and reliability. Ideal for drawers throughout the home, it excels in applications requiring a high load capacity, making it perfect for kitchens, bathrooms, and any other areas where robust storage solutions are essential. The precision engineering of Progressa+ ensures smooth and synchronized operation, enhancing the functionality and durability of your drawers.

- Full-extension, featuring the S-Drive synchronized rack and pinion mechanism
- Available in soft-close and push-open versions
- Available in 9 lengths: 350mm - 750mm
- Tool free side adjustments: +/- 1.5mm, depth adjustments: +/- 3mm, height adjustments: +2.5mm and optional tilt adjustment: +3mm
- Elongated holes for added depth and height adjustment
- Optional synchronizer kit for push-open, optimizes the opening movement of wider drawers
- Static load capacity: 77kg (170lbs)
- Dynamic load capacity: 70kg (154lbs)

What's In the Box

- Set of left and right side slides
- Sold Separately - Front fixing brackets
- Optional:
 - Tilt adjustment levers
 - Push synchronizer kit



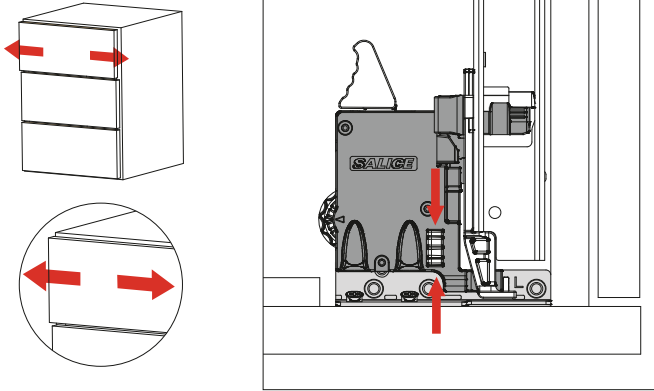
Progressa+ Ordering Guide

Length	Soft-Close Part#	Push-Open Part#	Qty/Box
350mm	SG7E6S350XXB	SG7E6P350XXB	6
400mm	SG7E6S400XXB	SG7E6P400XXB	6
450mm	SG7E6S450XXB	SG7E6P450XXB	6
500mm	SG7E6S500XXB	SG7E6P500XXB	6
550mm	SG7E6S550XXB	SG7E6P550XXB	6
600mm	SG7E6S600XXB	SG7E6P600XXB	4
650mm	SG7E6S650XXB	SG7E6P650XXB	4
700mm	SG7E6S700XXB	SG7E6P700XXB	4
750mm	SG7E6S750XXB	SG7E6P750XXB	4

Accessory Ordering Guide

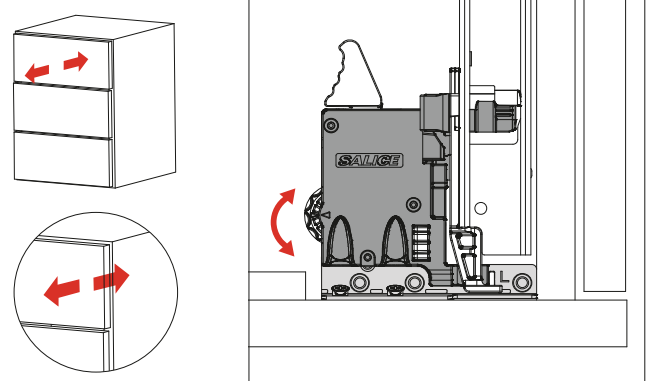
Part#	Description	Qty/Box
SAFCEX43B	Salice F45/F70 Narrow Clip L/R	pair
SAFCGX3B	Salice F45/F70 Clip Standard Mount L/R	pair
SAGLRXX3F	Salice F45/F70 Tilt Adjustment Lever L/R	pair
SAPKF7X51150	Salice F70 Push Synchronizer Kit	1

Side Adjustment +/- 1.5mm



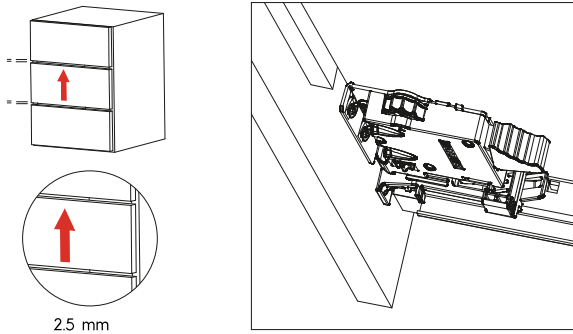
Rotate the white wheel towards the drawer front to adjust left.
Rotate the white wheel towards the drawer back to adjust right.

Depth Adjustment +/- 3mm



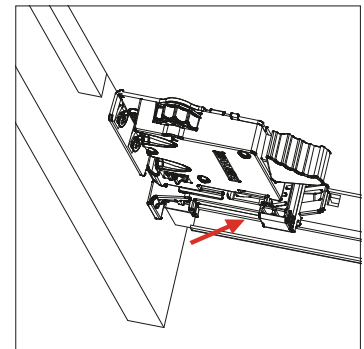
Rotate the white wheel towards the outside of the drawer to increase the gap between the drawer front and gable.
Rotate the white wheel towards the inside of the drawer to reduce the gap between the drawer front and gable.

Height Adjustment +2.5mm



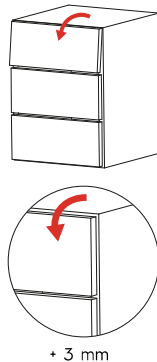
2.5 mm

Push the lever towards the inside of the drawer to adjust height.
This operation is tool free.

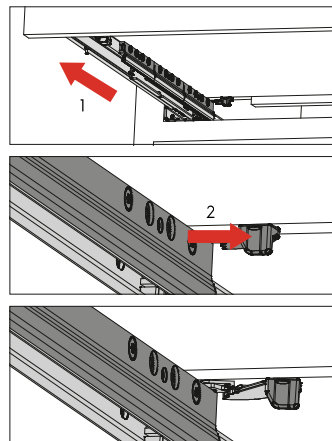


Tilt Adjustment +3mm

Open the drawer and press the lever to adjust tilt.
This operation is tool free.

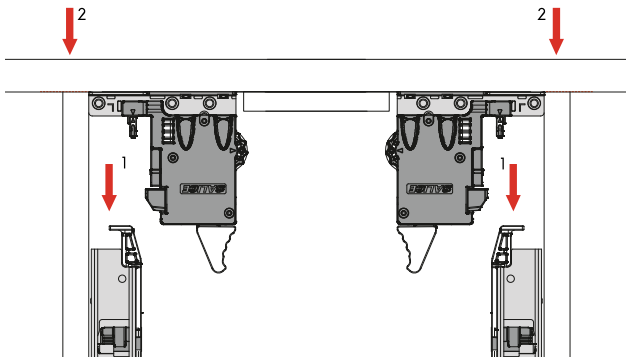
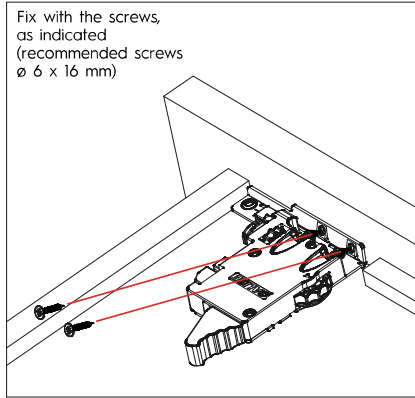
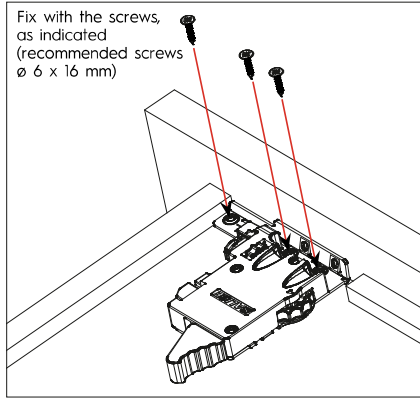


+ 3 mm

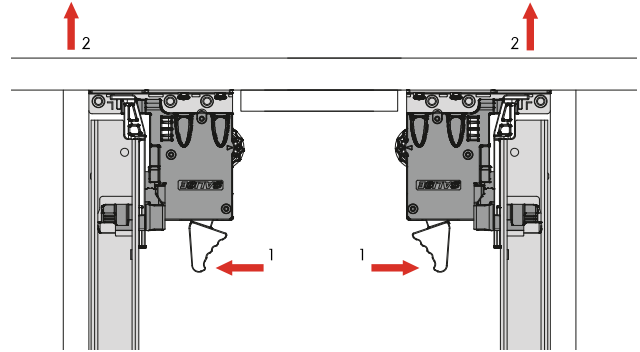




Drawer Assembly & Removal



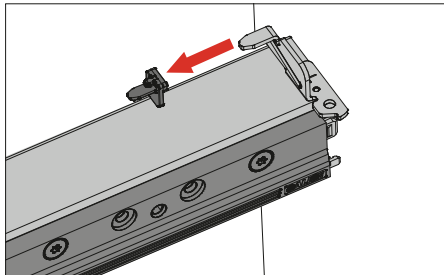
Drawer Assembly



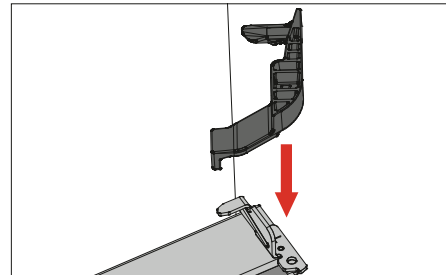
Drawer Removal

Assembly of Tilt Adjustment Lever (Optional)

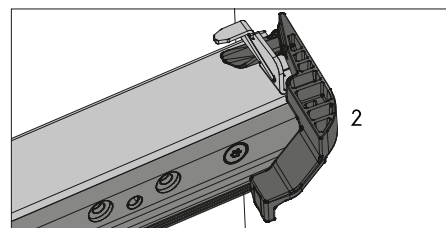
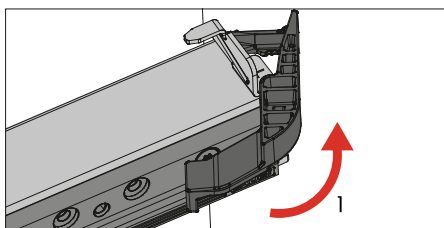
Pull out the drawer and remove the plastic insert



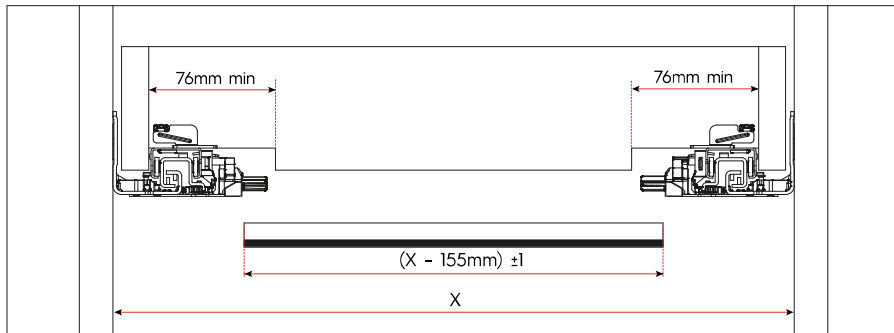
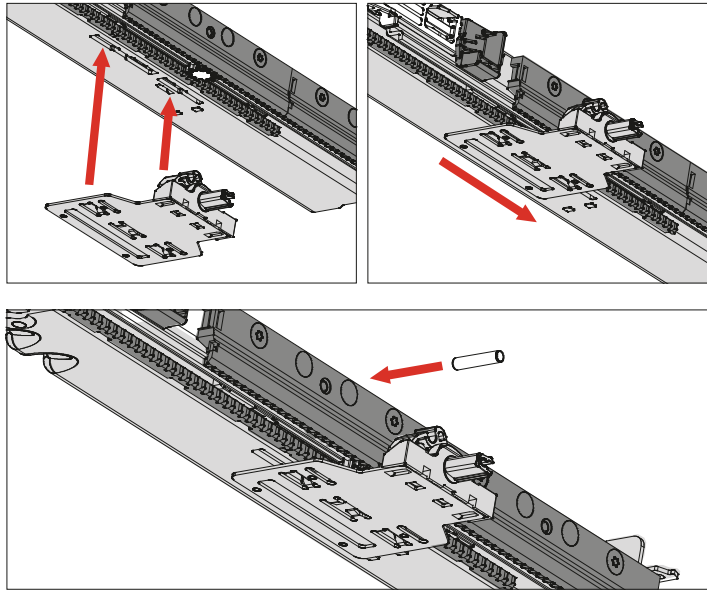
Insert the tilt adjustment levers, both right and left



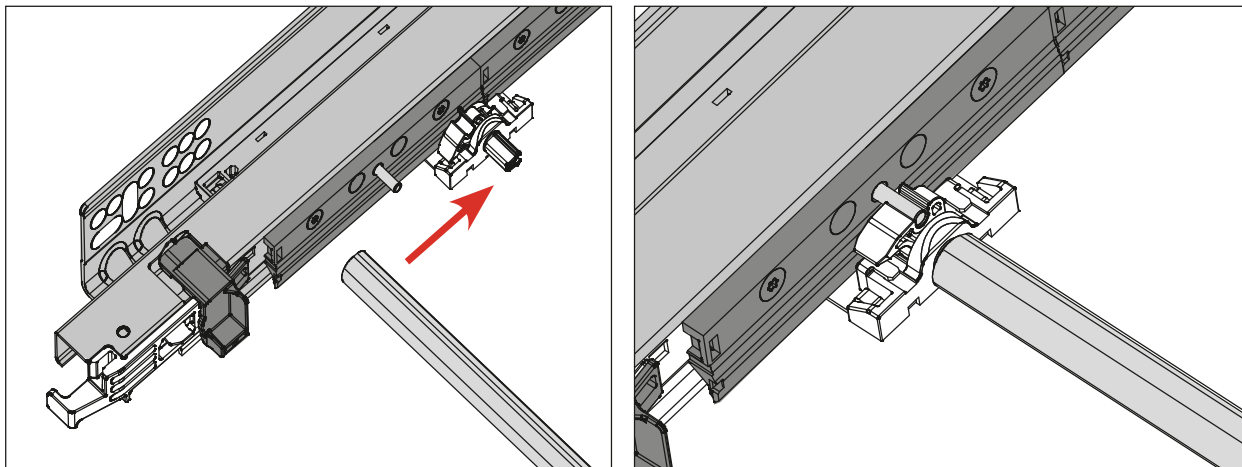
Rotate the lever to achieve the required adjustment



Assembly of Push Synchronizer Kit (Optional)



X = Internal width of the cabinet



Applying pressure on any part of the drawer front is sufficient for the drawer to open