

Accessories

Push Synchronizer bar

The synchronization system for Push-to-Open **Progressa+** slides has been developed to ensure that wider drawers can be opened with minimum effort, regardless of where pressure is applied. The system links the two runners, which then become a single element; applying pressure on any part of the drawer front (even at the extremities), is sufficient for the Push devices to release and consequently for the drawer to open.

The synchronization can be used with any drawer width; its functionality is at its best with drawers wider than 762 mm (30").

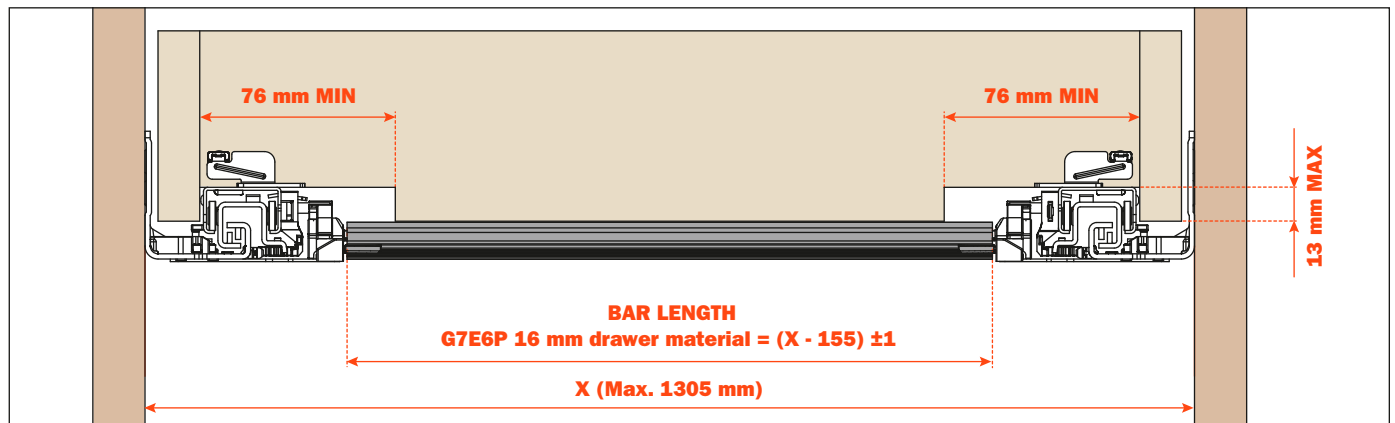
PRODUCT FEATURES:

- frameless or blocked out face frame applications
- smooth and progressive running action
- slide load capacity remains unchanged
- available on any **Progressa+** drawer length
- minimum opening (X) = 280 mm
- maximum opening (X) = 1305 mm
- bar length = 1150 cut to size



Technical information - Formula for cutting the bar to length

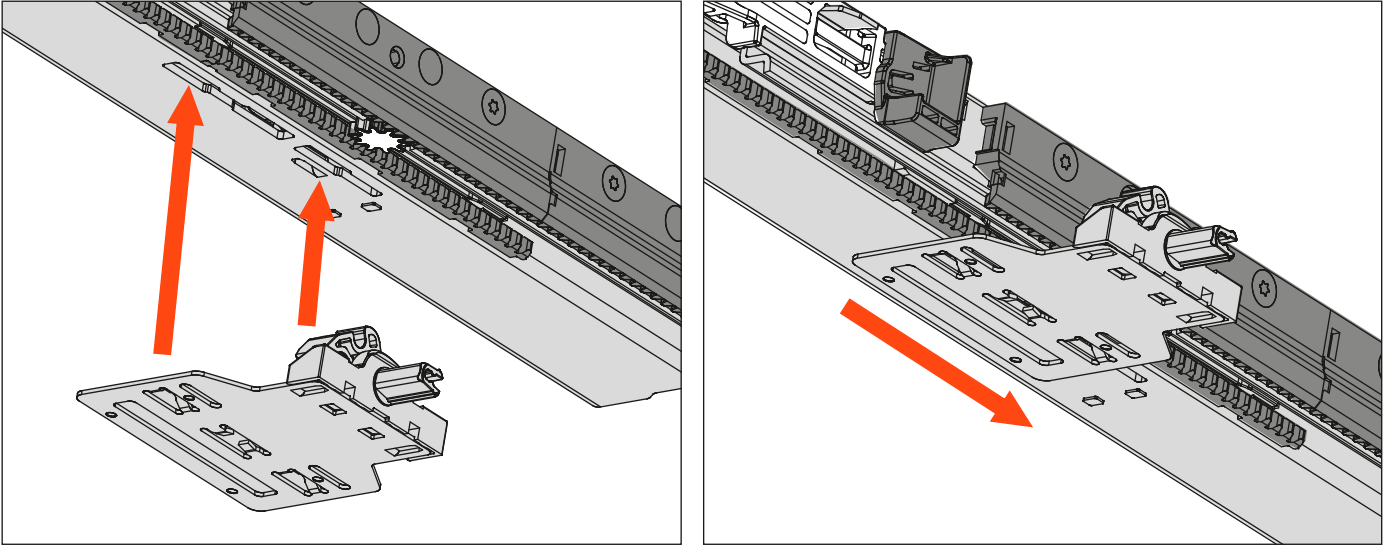
The assembly of the synchronizer requires a minimum 76 mm notch in the rear of the drawer



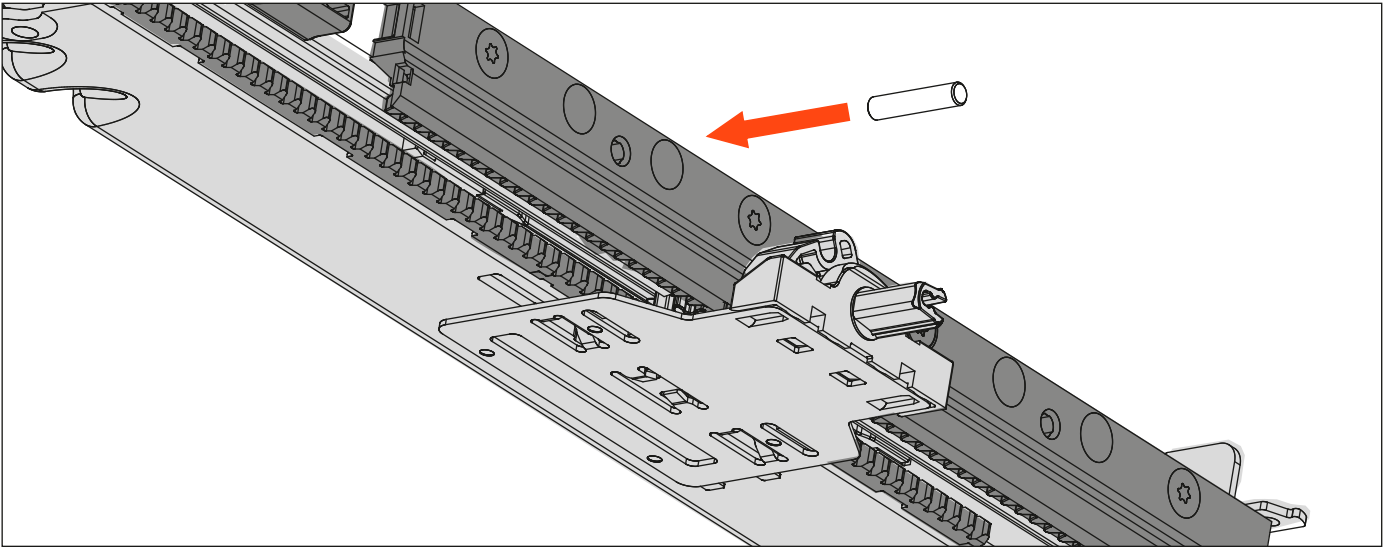
X = Internal width of the cabinet

Assembly instructions

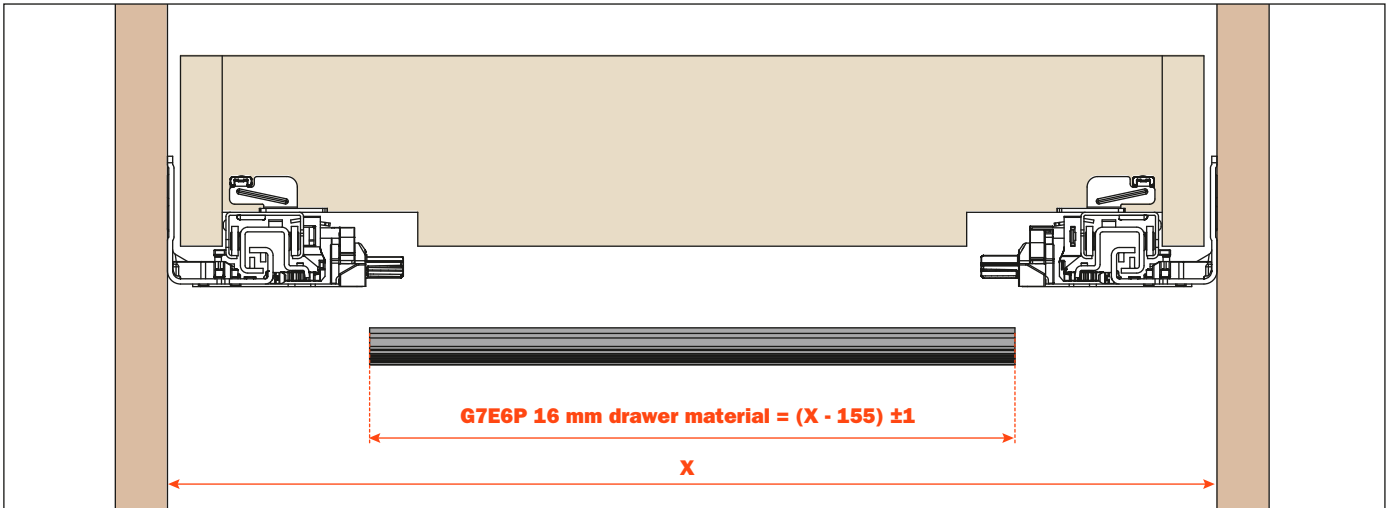
Insert and slide the carrier plates into position on the runners in the direction indicated by the arrows



Fitting the driver pins to the runners

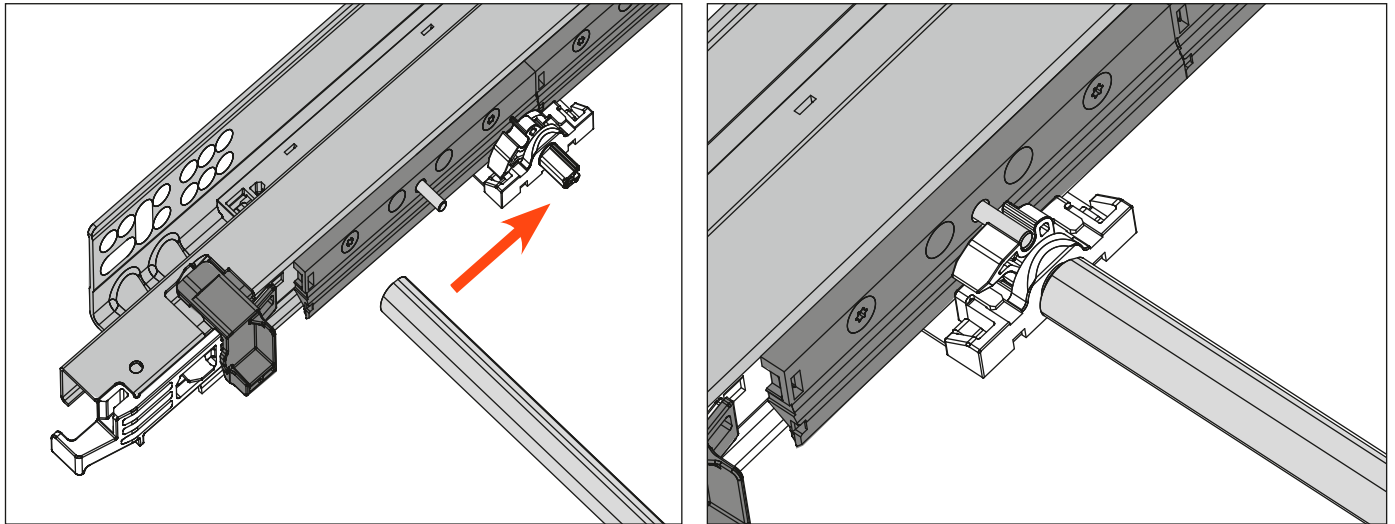


Cut the synchronizer bar to length

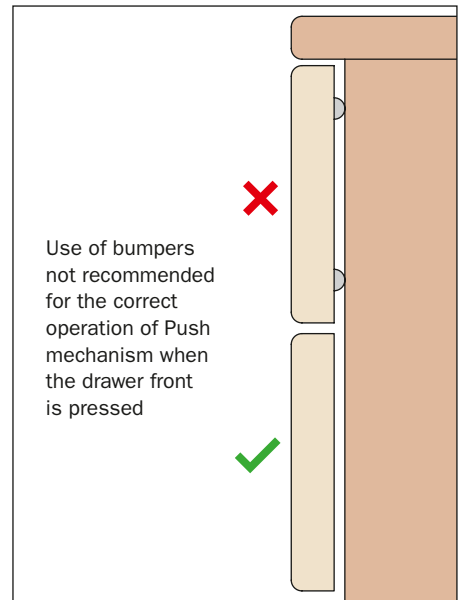


F70 Push synchronizer - Assembly instructions

Fix the bar to the plates and insert the drawer



Applying pressure on any part of the drawer front is sufficient for the drawer to open



Packaging

SINGLE KIT PACKAGING

APKF7X51150

PACKAGING

1 box = 20 single kits

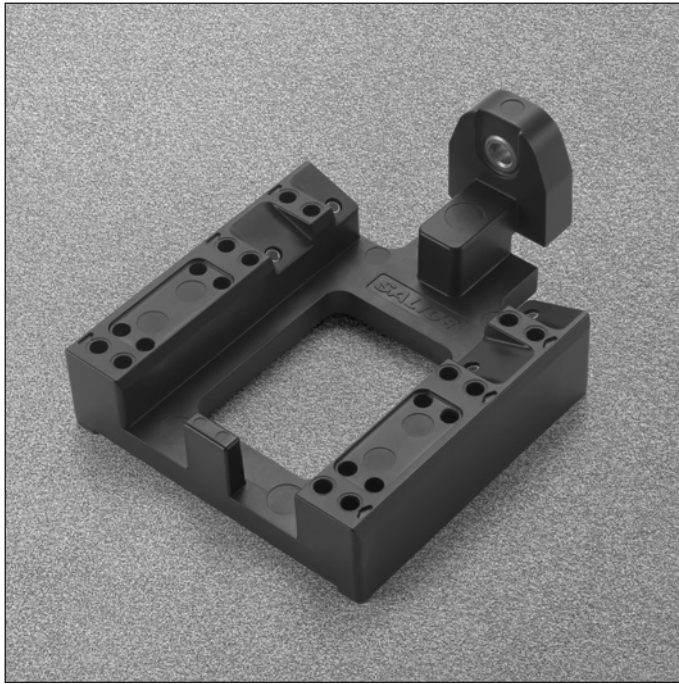
1 KIT CONTAINS:

- 1 stabilizer bar
- 2 driver pins
- 1 right carrier plate and 1 left carrier plate

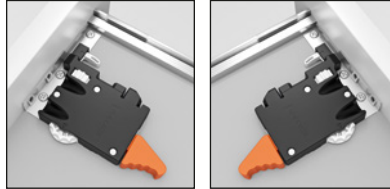


Drilling templates for drawers - For all Progressa, Progressa+ and Progressa+ Shelf slides

Pre-drilling for the clips reduces the possibility of splitting the wood, thus assuring the correct and level installation of the clips.
The correct and level mounting assures a smooth assembly and operation of the drawer slide.



Front locking device
AFCGXX3B
Right and left

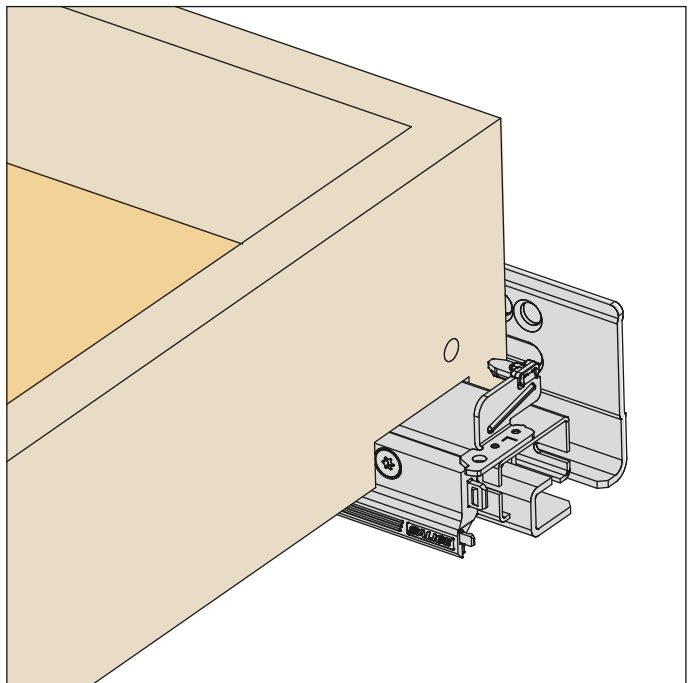
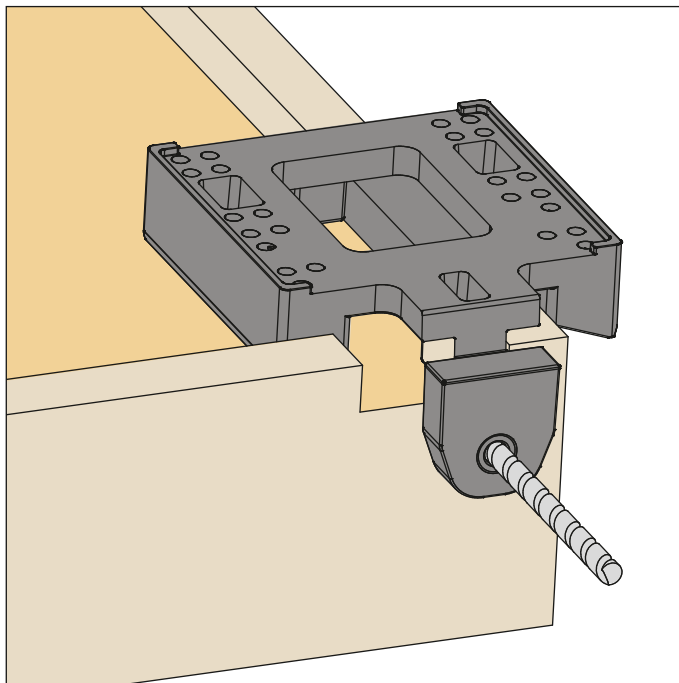


Drilling template
ASGD704U3XA

PACKAGING
1 box = 1 pc.

Back drilling for hook

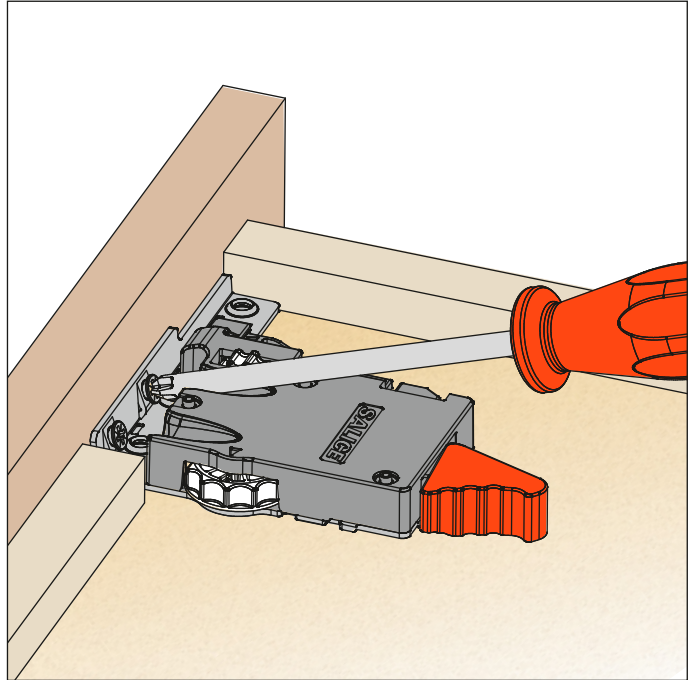
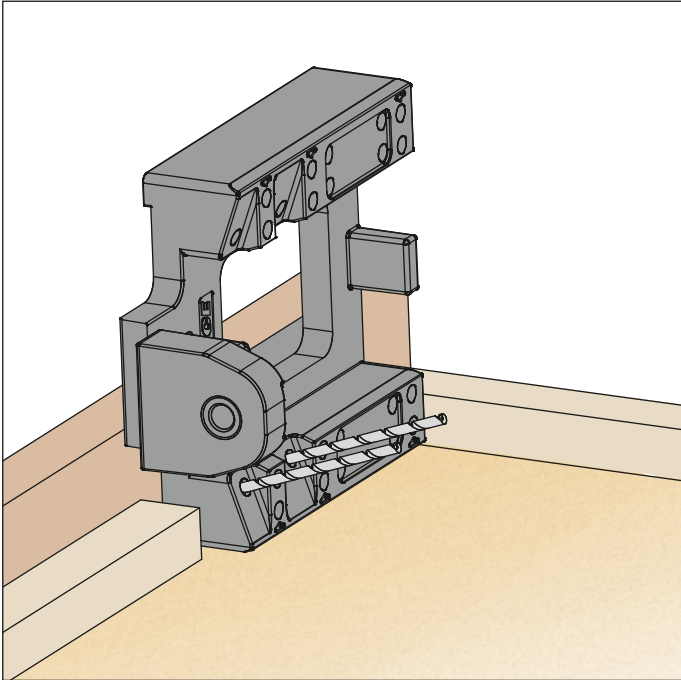
Pre-bore for rear hook for proper alignment and depth (min. depth = 10 mm)



Use a \varnothing 6 mm drill bit
Technical information, see page 10.

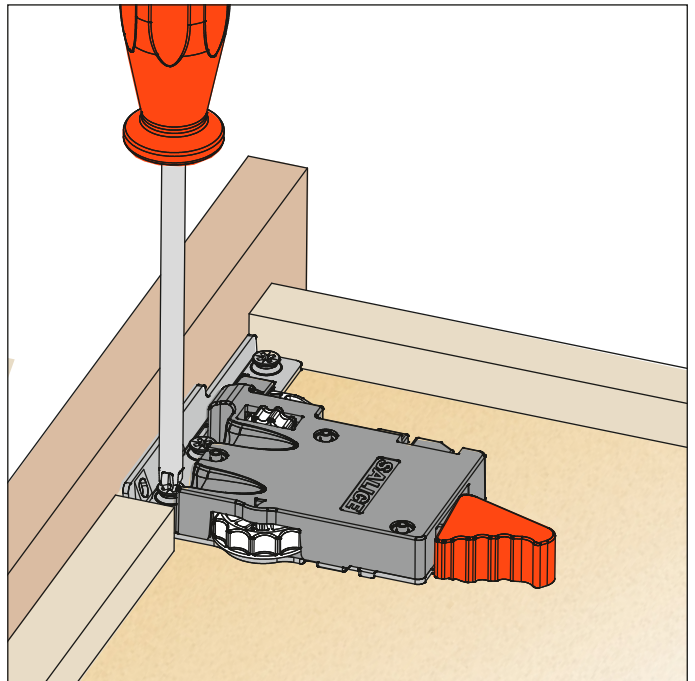
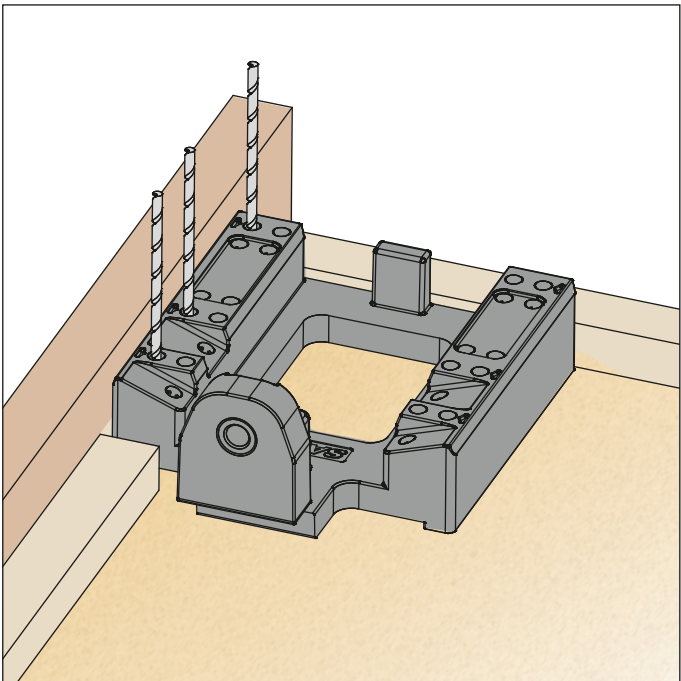
Drilling templates for drawers

Pre-drilling \varnothing 2.5 mm, to assemble the clips to the front of the drawer



Use a \varnothing 2.5 mm drill bit

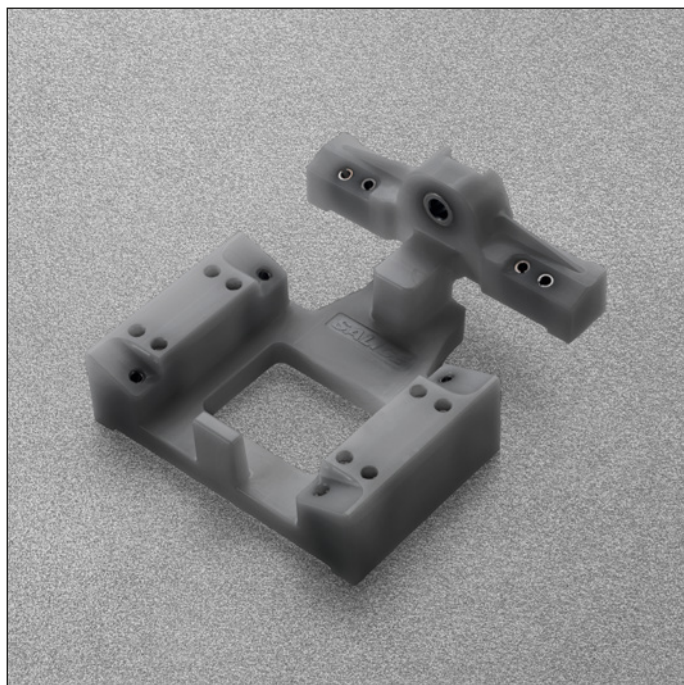
Pre-drilling \varnothing 2.5 mm, to assemble the clips to the drawer bottom



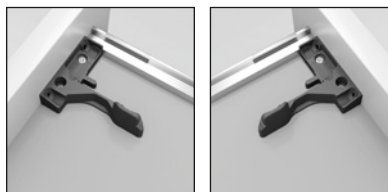
Use a \varnothing 2.5 mm drill bit

Drilling templates for drawers - For all Progressa, Progressa+ and Progressa+ Shelf slides

Pre-drilling for the clips reduces the possibility of splitting the wood, thus assuring the correct and level installation of the clips.
The correct and level mounting assures a smooth assembly and operation of the drawer slide.



Front locking device
AFCEX56B
Right and left

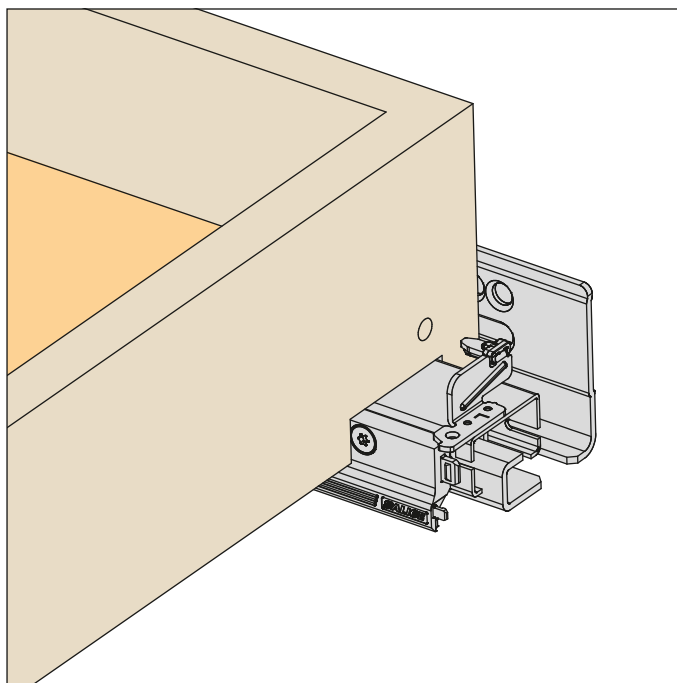
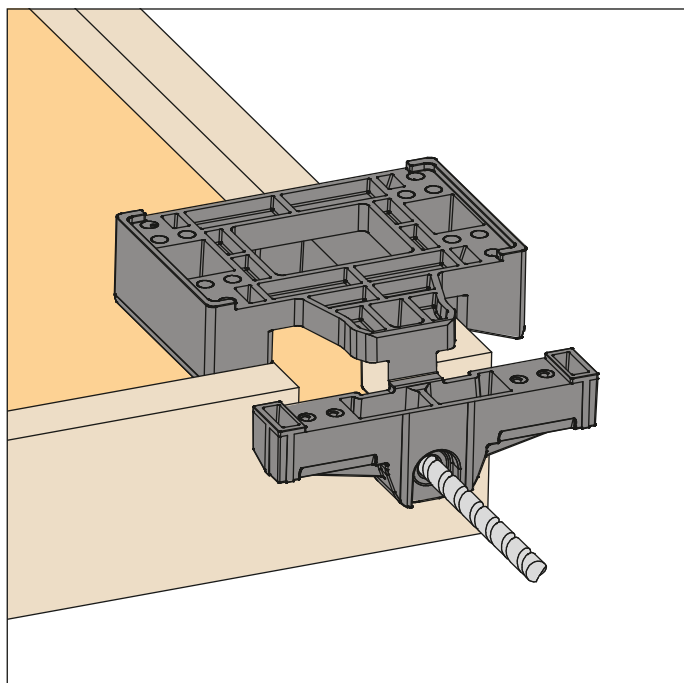


Drilling template
ASGD504U6XA

PACKAGING
1 box = 1 pc.

Back drilling for hook

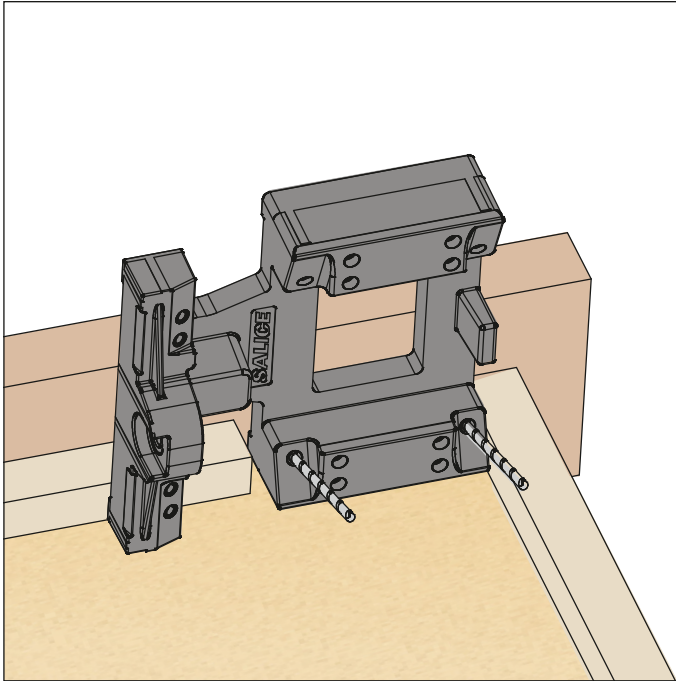
Pre-bore for rear hook for proper alignment and depth (min. depth = 10 mm)



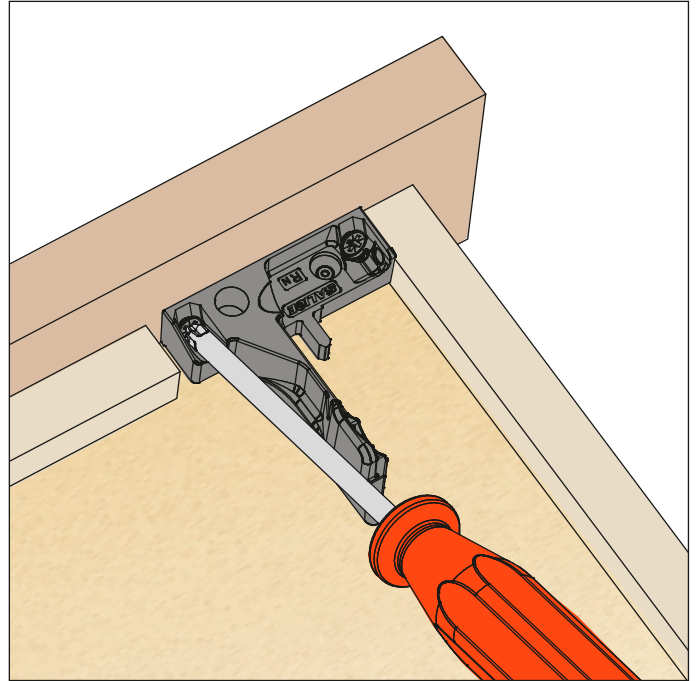
Use a \varnothing 6 mm drill bit
Technical information, see page 10.

Drilling templates for drawers

Fixing the clip on the drawer member

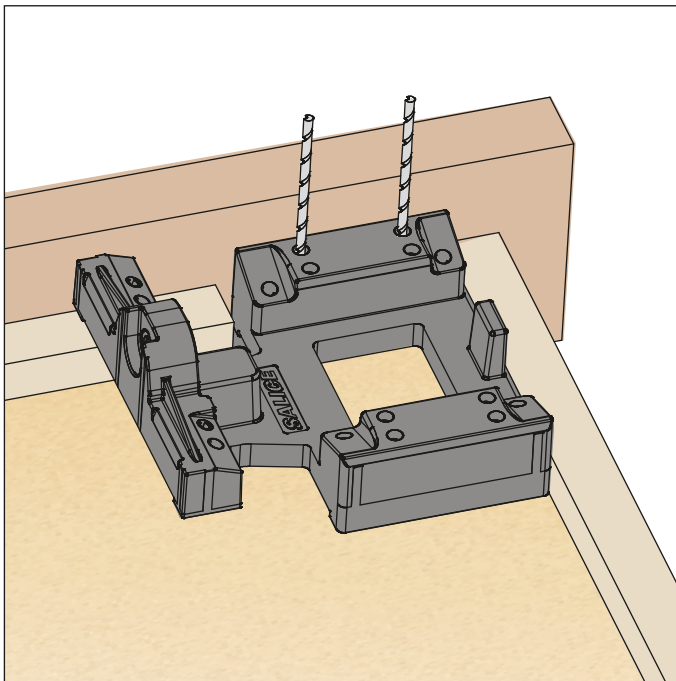


Use a \varnothing 2.5 mm drill bit

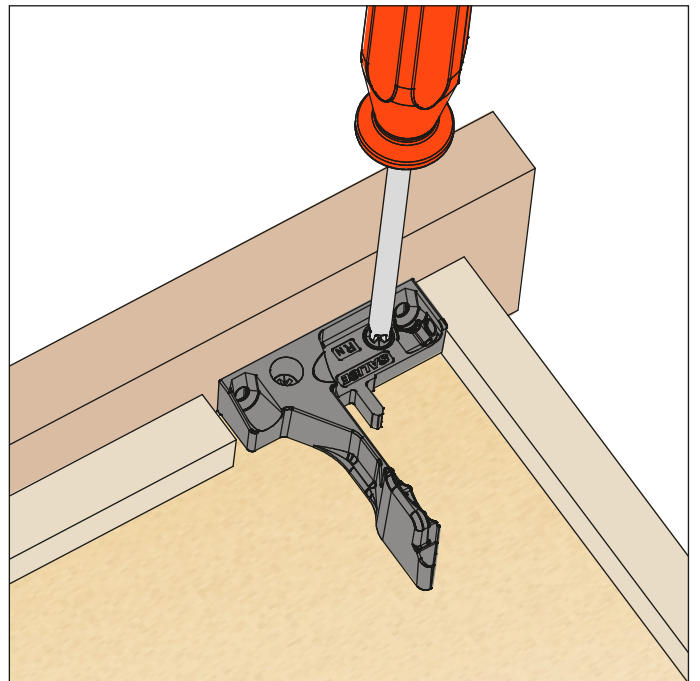


The use of \varnothing 6 x 16 mm screws is recommended for a correct operation of the clips

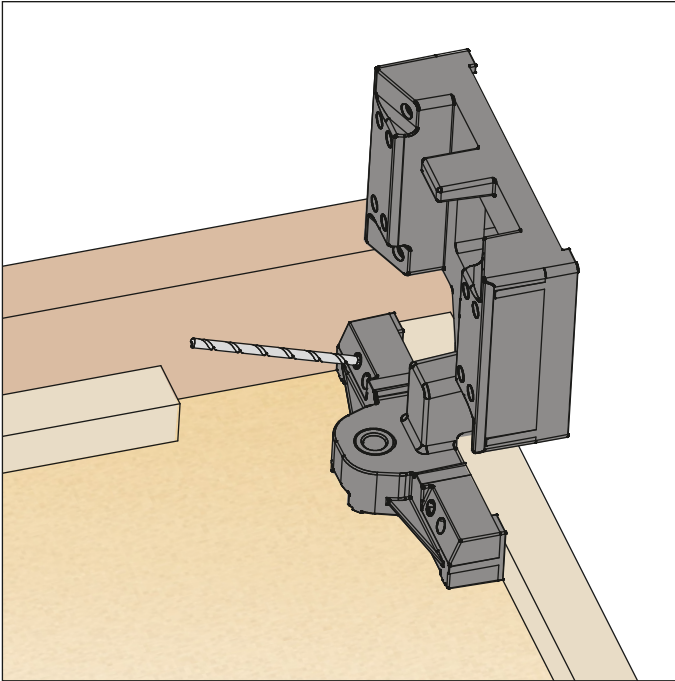
Vertical drilling for clips, fixing on the bottom



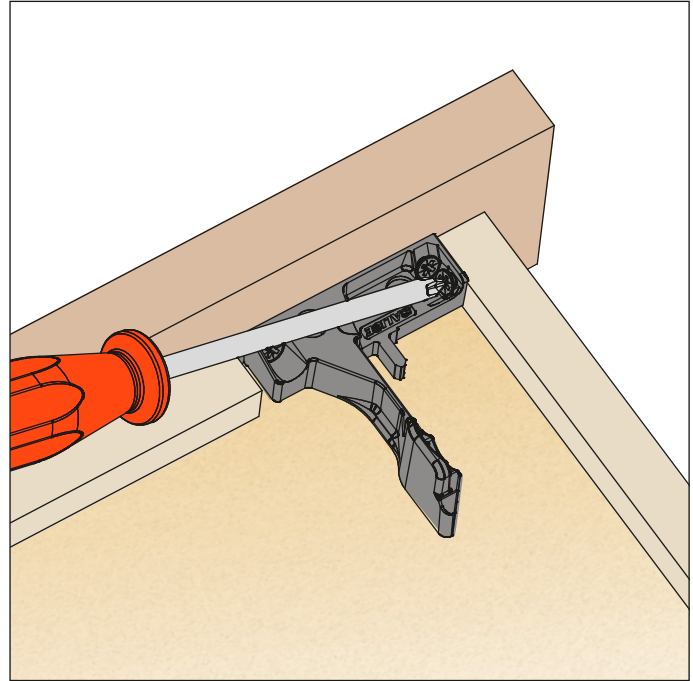
Use a \varnothing 2.5 mm drill bit



Optional lateral fixing



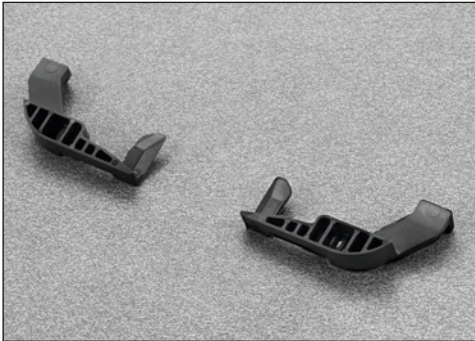
Use a \varnothing 2.5 mm (3/32") drill bit



The use of \varnothing 6 x 16 mm screws is recommended for a correct operation of the clips

Accessories - For all Progressa and Progressa+ slides

Tilt adjustment lever

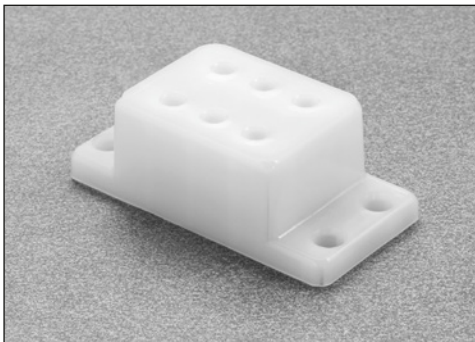


AGLRXX3F

PACKAGING
1 box = 12 pcs right / 12 pcs left

Technical information, see page 25.

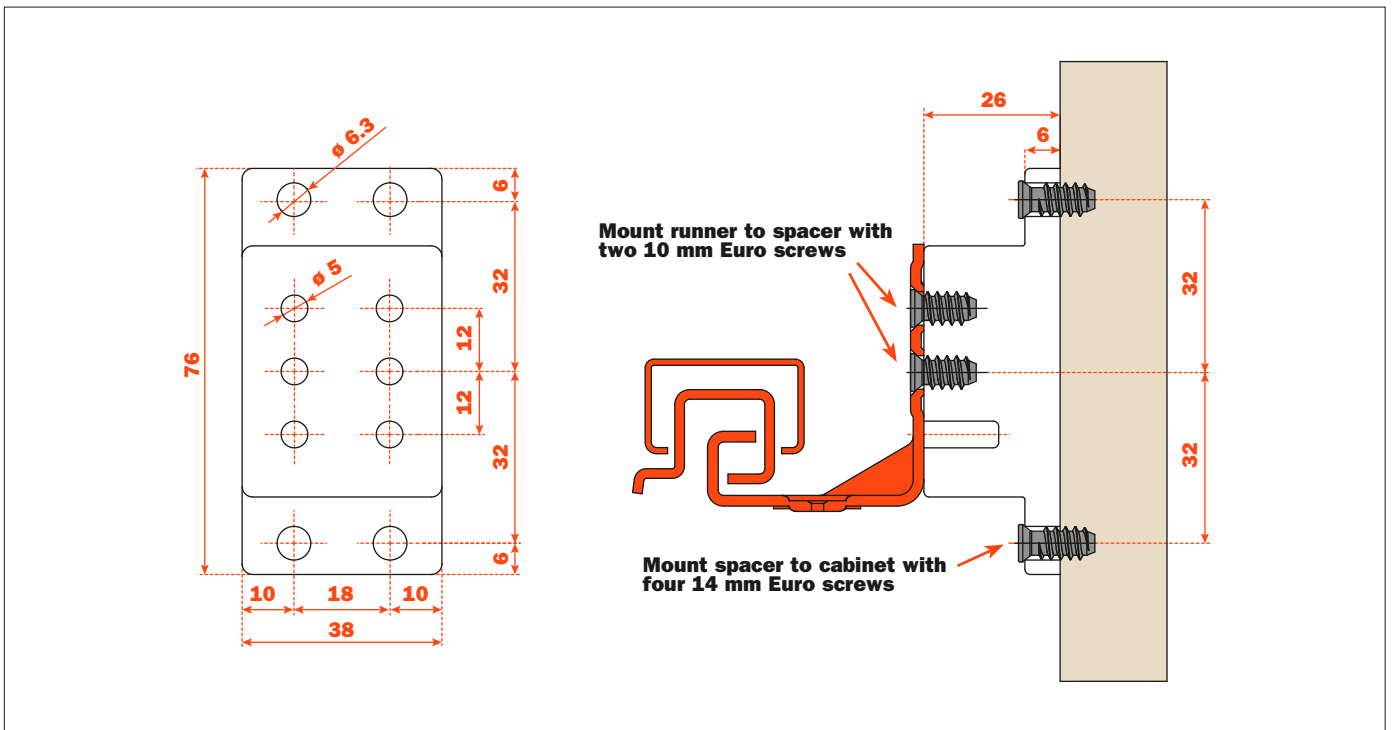
Side spacer



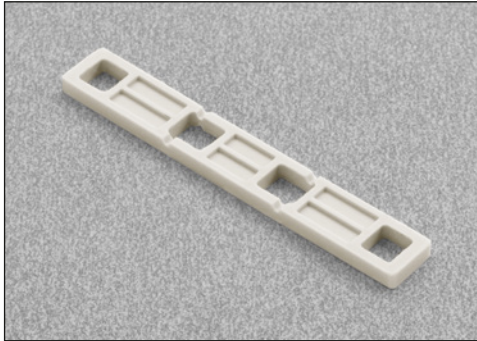
ASPACERFUT

For spacing out Progressa runners for clearance on interior roll-outs.

PACKAGING
1 box = 100 pcs



Spacer for 1/2" drawer sub-fronts



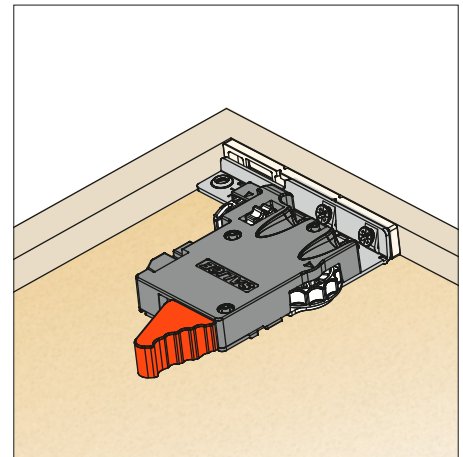
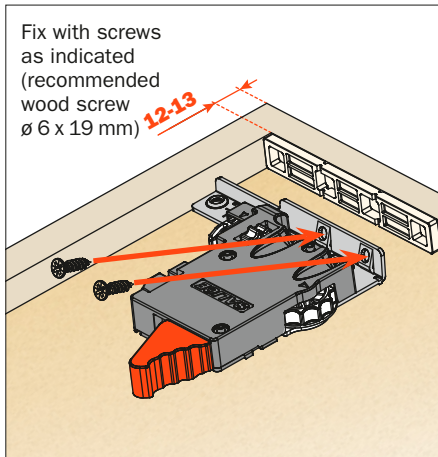
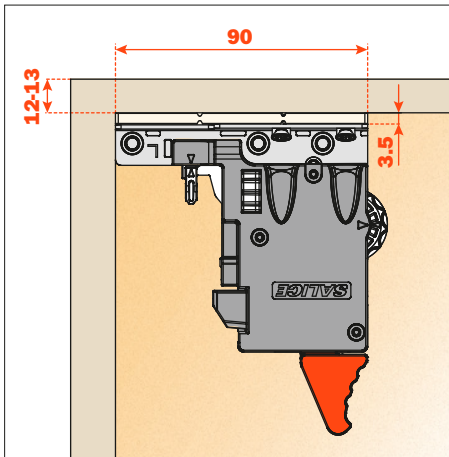
AFSFXXB

For drawer sides with sub-fronts between 12 and 13 mm (1/2"), we recommend the use of the build-up spacer

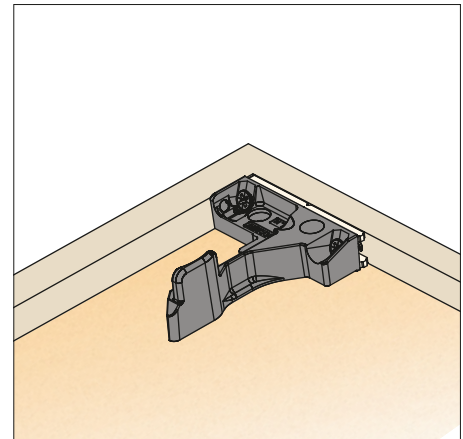
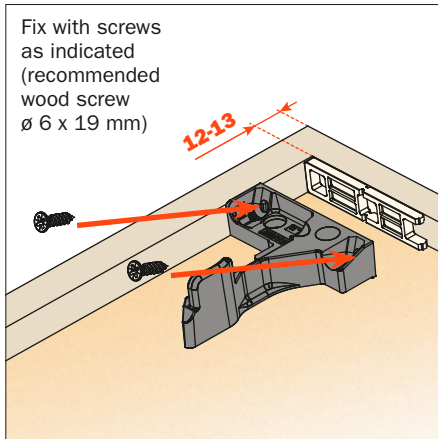
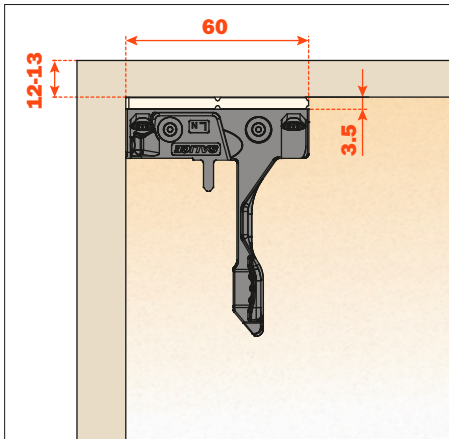
PACKAGING

1 box = 100 pcs

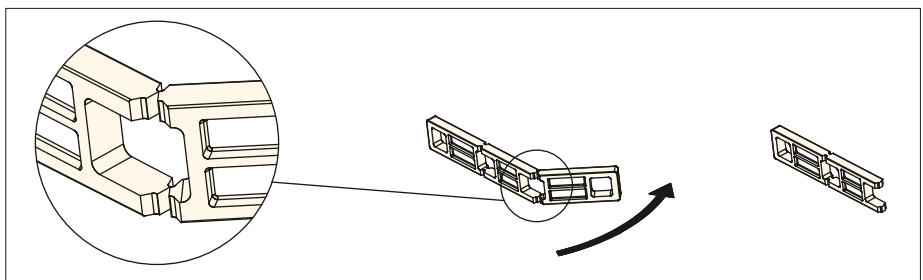
To be used with **AFCGX3B** front locking device (right and left)



To be used with **AFCGX56B** front locking device (right and left)



Spacer can be fit to any size by breaking tabs



Accessories - For all Progressa, Progressa+ and Progressa+ Shelf slides

Wood screw



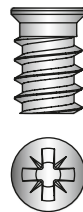
V234X164

Wood screw # 6 x 16 mm (5/8")

PACKAGING

1 box = 100 pcs

Euro screw

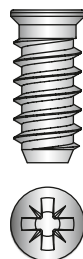


V136X114

Euro screw # 6 x 11 mm (7/16")

PACKAGING

1 box = 100 pcs



V136X154

Euro screw # 6 x 14.5 mm (9/16")

PACKAGING

1 box = 100 pcs

Pozi driver



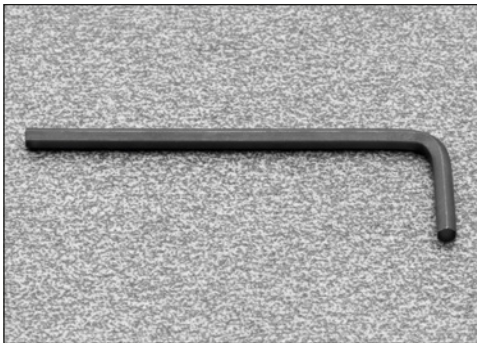
D2A7XCXCP

PACKAGING

1 box = 100 pcs

Accessories - For all Progressa, Progressa+ and Progressa+ Shelf slides**∅ 6 mm drill bit for rear hook****TDB7406R**

PACKAGING 1 box = 1 pc.

Hex key to lock the stop collar set screw onto the 6 mm drill bit**TLKEY332**

PACKAGING 1 box = 1 pc.

Drill bit stop collar for 6 mm bit**TSC06MM**PACKAGING
1 box = 1 pc.