

Accessories

F70 Push synchronizer

The synchronization system for Push-open F70 runners has been developed to ensure that drawers of any width can be opened with minimum effort.

The system links the two runners, which then become a single element; applying pressure on any part of the drawer front (even at the extremities), is sufficient for the Push devices to release and consequently for the drawer to open.

The synchronizer can be used with any drawer width; its functionality is at its best with drawers wider than 80 cm.

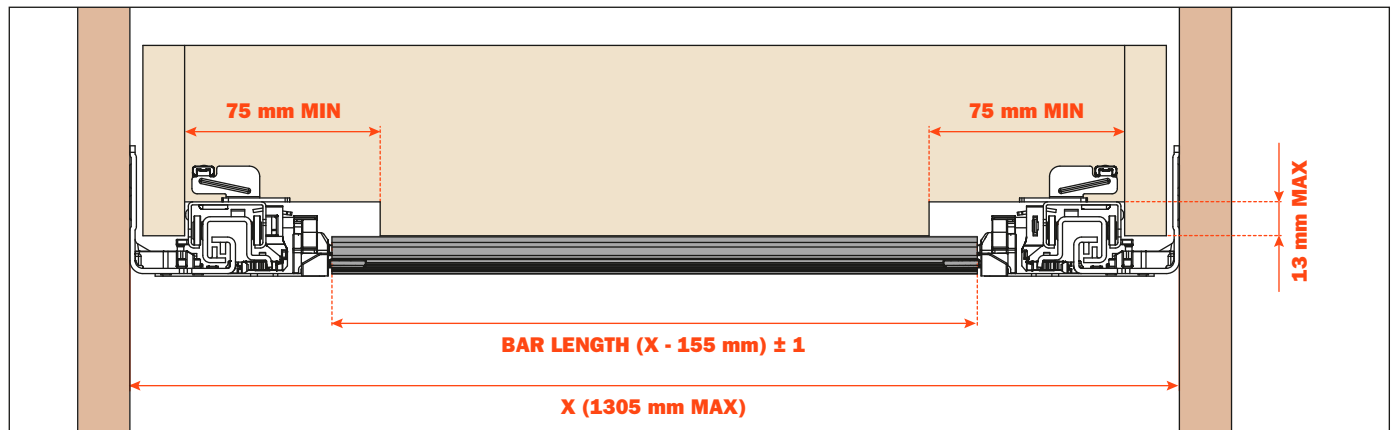
PRODUCT FEATURES:

- perfectly silent sliding movement
- load capacity of the runner remains unchanged
- available on all runner lengths
- min. cabinet width (X) = 280 mm
- max. cabinet width (X) = 1305 mm
- bar length = 1150 mm (to cut to length)



Technical information - Formula for cutting the bar to length

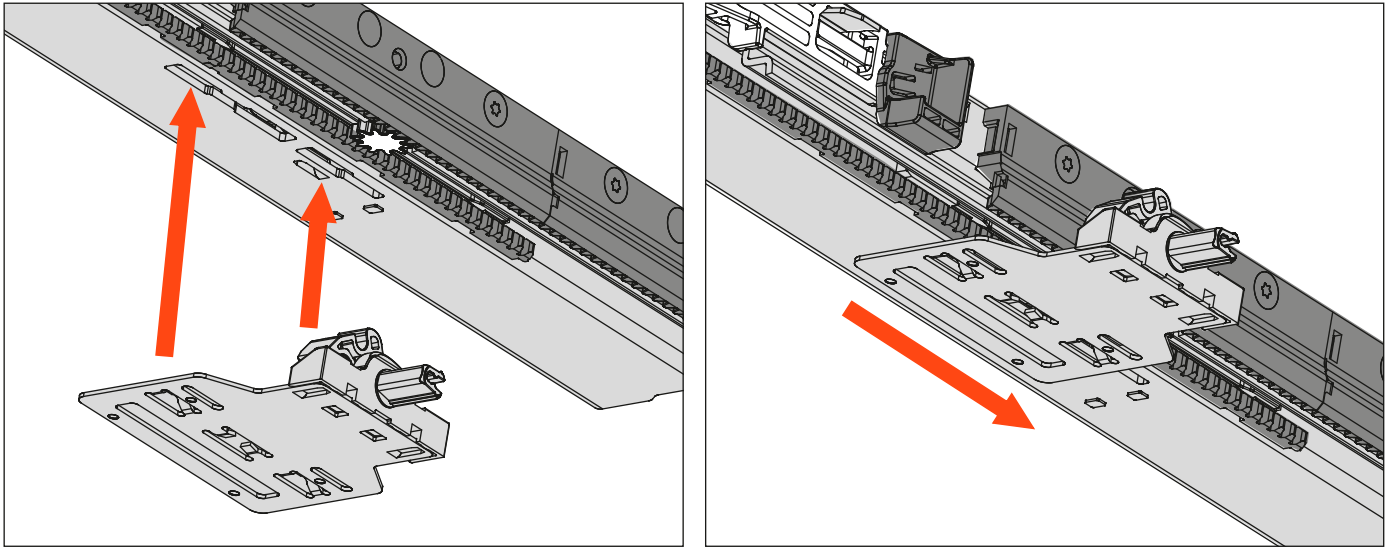
The assembly of the synchronizer requires a minimum 75 mm notch in the rear of the drawer



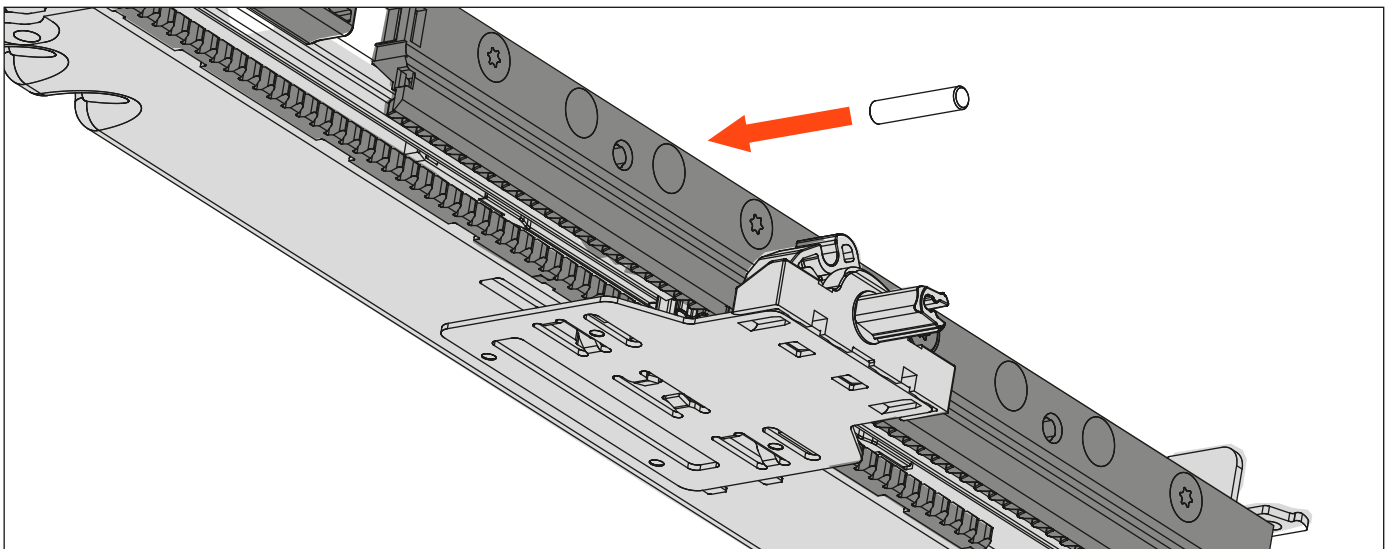
X = Internal width of the cabinet

Assembly instructions

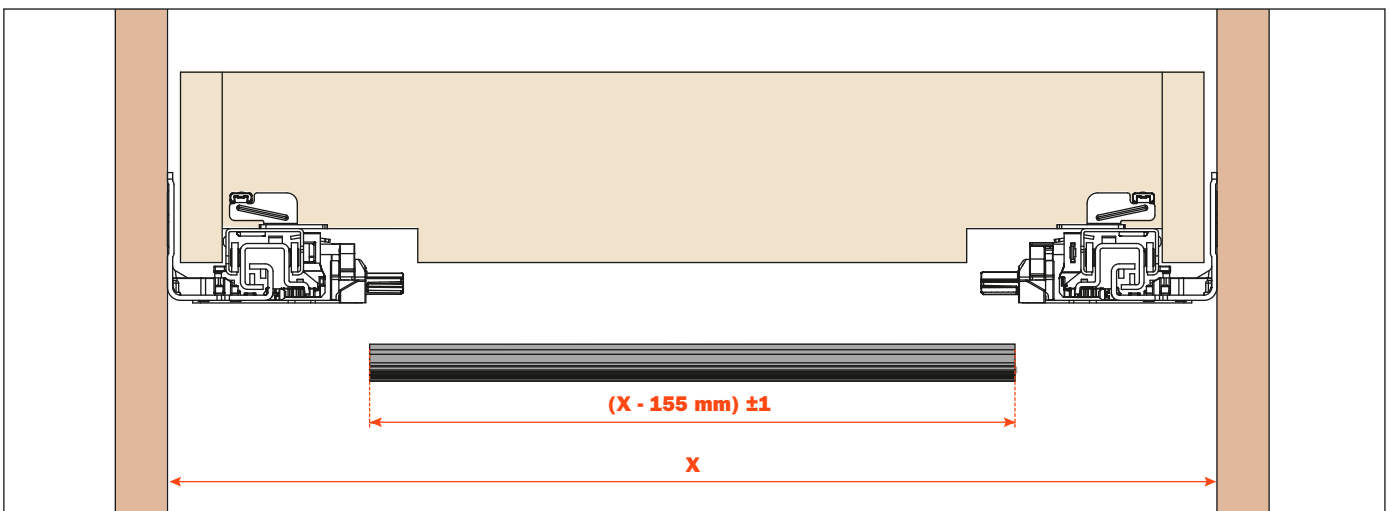
Insert and slide the carrier plates into position on the runners in the direction indicated by the arrows



Fitting the driver pins to the runners

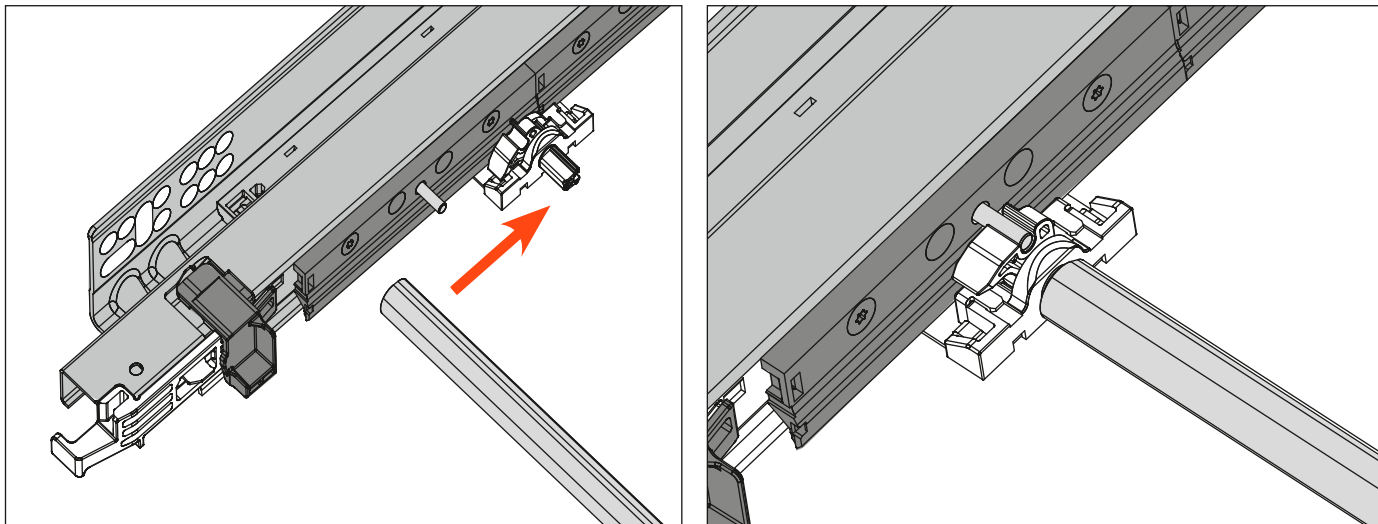


Cut the synchronizer bar to length

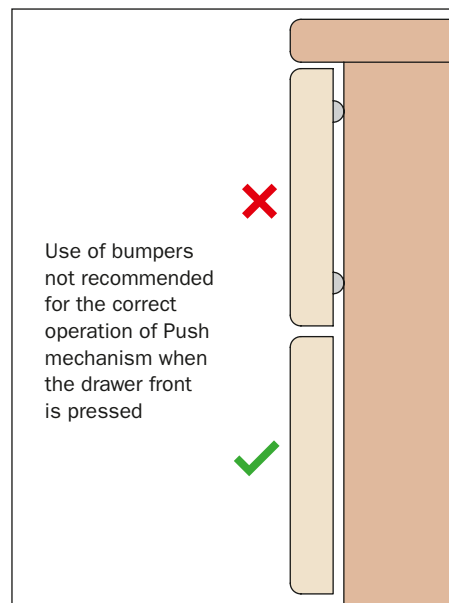


F70 Push synchronizer - Assembly instructions

Fix the bar to the plates and insert the drawer



Applying pressure on any part of the drawer front is sufficient for the drawer to open



Packaging

SINGLE KIT PACKAGING

APKF7X51150

PACKAGING

1 box = 20 single kits

1 KIT CONTAINS:

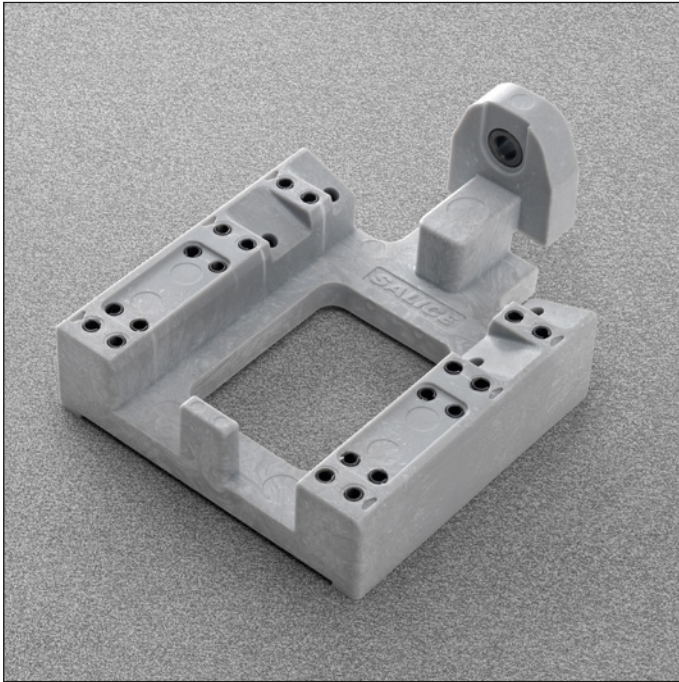
- 1 stabilizer bar
- 2 driver pins
- 1 right carrier plate and 1 left carrier plate



Drilling templates for drawers

Pre-drilling for the clips reduces the possibility of splitting the wood, thus assuring the correct and level installation of the clips.

The correct and level mounting assures a smooth assembly and operation of the drawer slide.

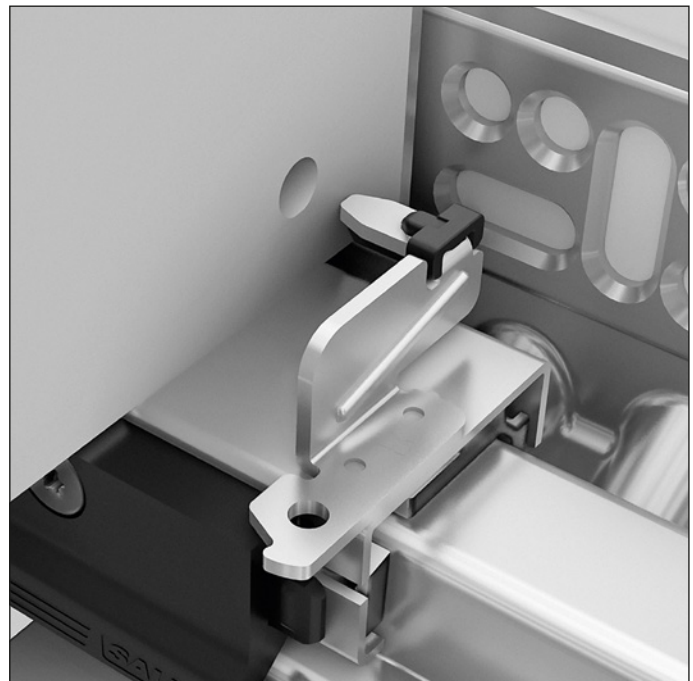
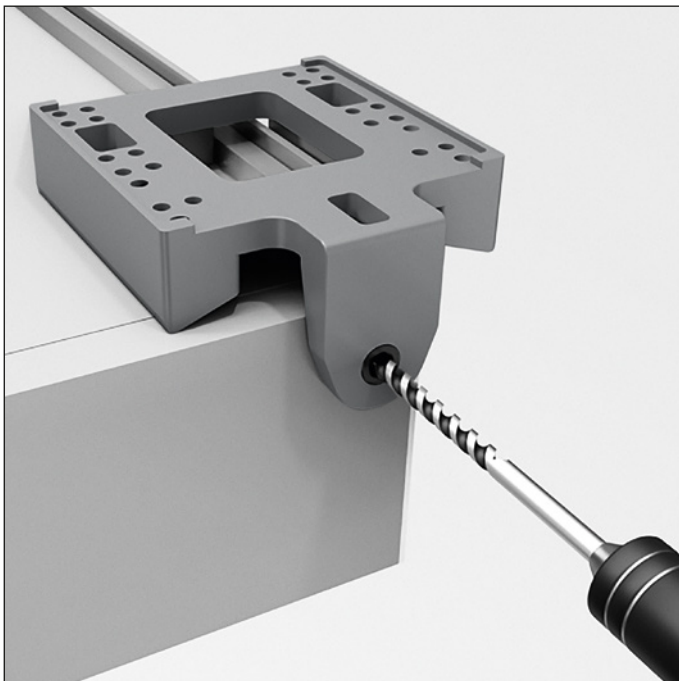


SGD704UGXA

PACKAGING
1 box = 20 pcs.

Back drilling for hook

Pre-bore for rear hook for proper alignment and depth (min. depth = 10 mm)

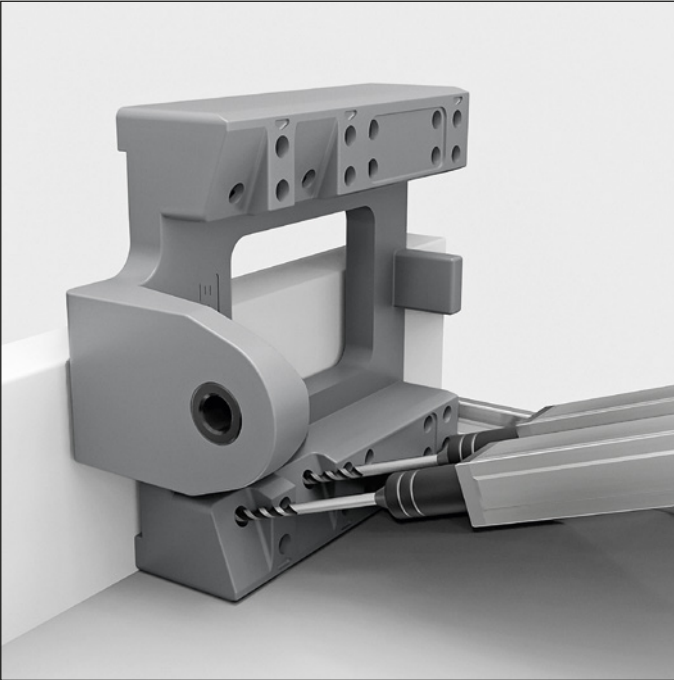


Use a \varnothing 6 mm drill bit

Technical information, see page 10

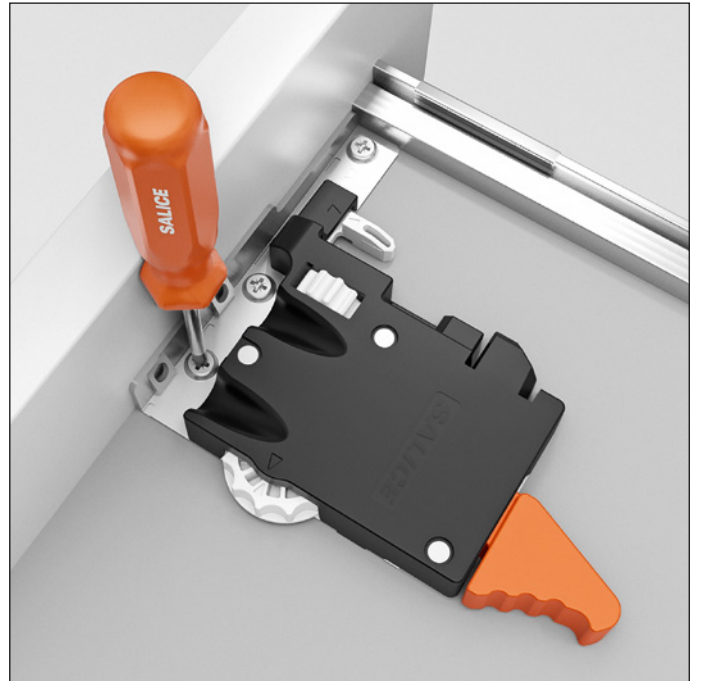
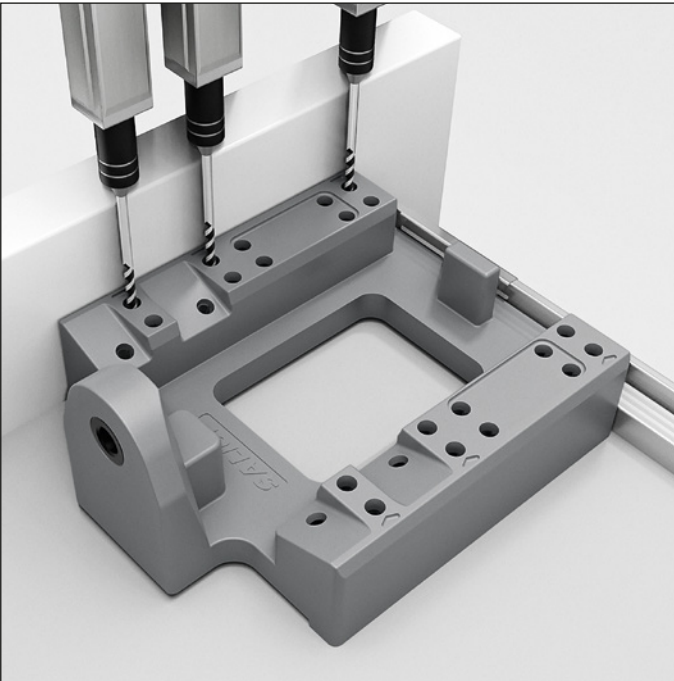
Drilling templates for drawers

Pre-drilling \varnothing 2,5 mm, to assemble the clips to the front of the drawer



Use a \varnothing 2,5 mm drill bit

Pre-drilling \varnothing 2,5 mm, to assemble the clips to the drawer bottom



Use a \varnothing 2,5 mm drill bit

Tilt adjustment lever



AGLRXX3F

PACKAGING

1 large box = 10 boxes (120 pairs)

1 box = 12 right pcs. and 12 left pcs.

Technical information, see page 21

Wood screw



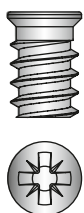
V234X164I

ø 4 x 16 mm

PACKAGING

1 box = 20.000 pcs

Euro screws

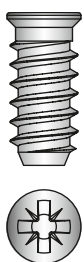


V136X114I

drilling ø 5 x 10 mm

PACKAGING

1 box = 10.000 pcs



V136X154I

drilling ø 5 x 14 mm

PACKAGING

1 box = 5.000 pcs

Pozi driver



D2A7XCXCP

PACKAGING

1 box = 100 pcs