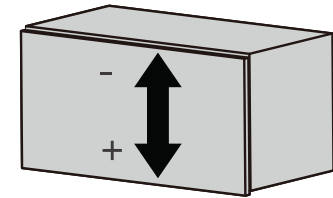
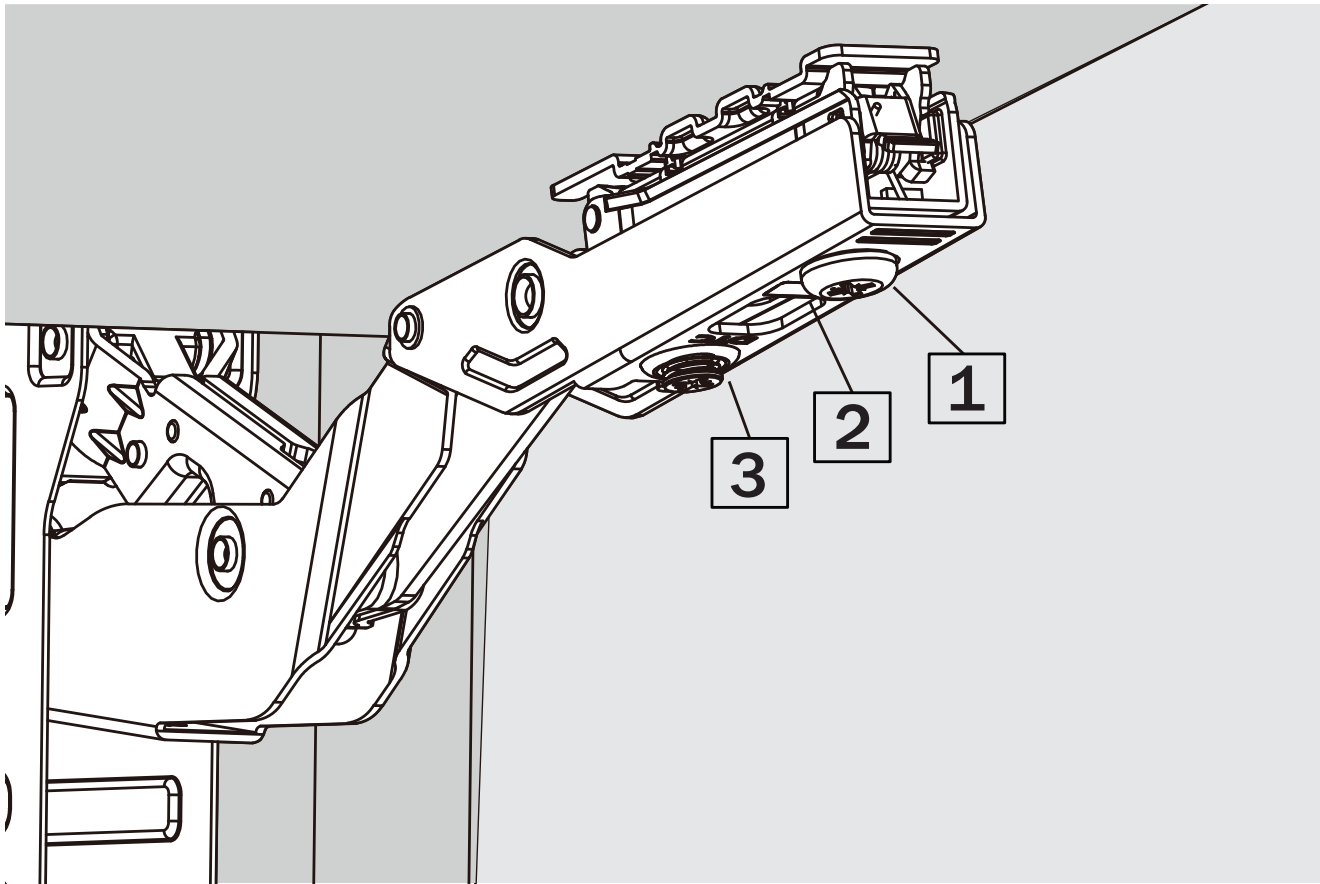
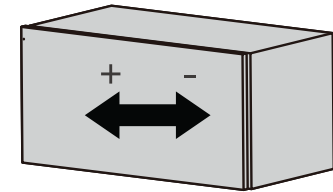


Door Position Adjustment



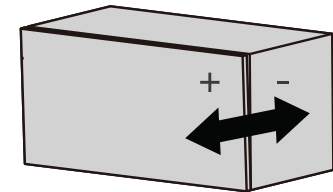
1

± 2mm



2

± 2mm



3

± 2mm

1 Height: Door Up and Down Adjustment

2 Lateral: Door Left and Right Adjustment

3 Depth: Door In and Out Adjustment