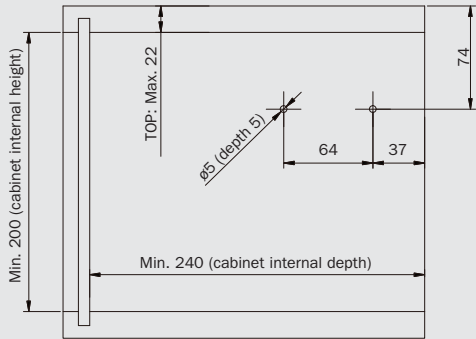


# Top Stays Lift System

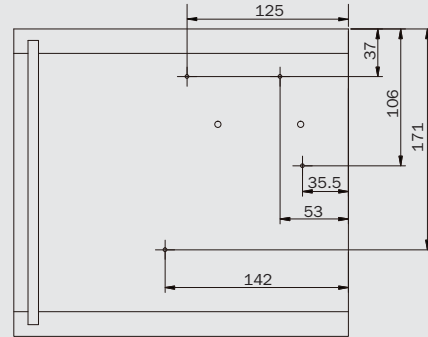
## Installation Planning

Installation Dimensions (all shown in mm)

### Drilling for Guidance Peg Position



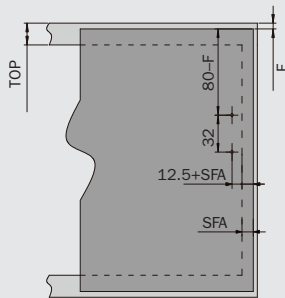
### Fixing Screw Positions



TOP: top panel thickness

4 wooden screws included (ø4x38mm)

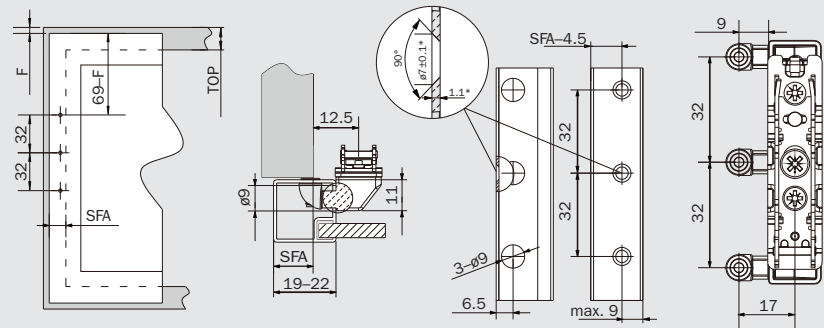
### Door Drillings - for Wooden and Wide Aluminum Frame Doors



4 wooden screws for wooden doors (ø4x16mm)  
4 screws for wide alum. frames (M4x11mm)

SFA: door overlay on the side panel  
F: Top gap

### Door Drillings - for Narrow Aluminum Frame Doors

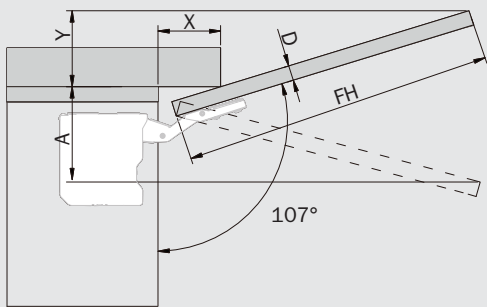


Frame Width (mm)	19	20	21	22
SFA (mm)	15-19	16-20	17-21	18-22

10 countersunk screws for narrow alum. frames (ø3.5x8.5mm)

\* When changing material thickness, adjust the assembly dimensions accordingly

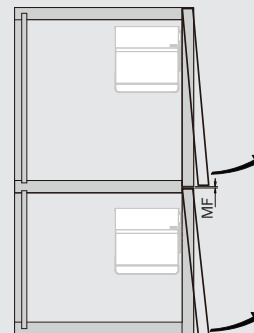
### Cornice/Crown Moulding Clearance



D (mm)	16	19	22	26	28
X (mm)	70	58	49	35	26
Opening angle stop	Space requirement (mm)				
none	$Y = FH \times 0.29 - 15 + D$				
100°	$Y = FH \times 0.17 - 15 + D$				
75°	$A = FH \times 0.26 + 15 - D$				

D: door panel thickness  
X: Cornice/crown moulding protrusion

### Minimum Gap



MF: Minimum gap 2mm