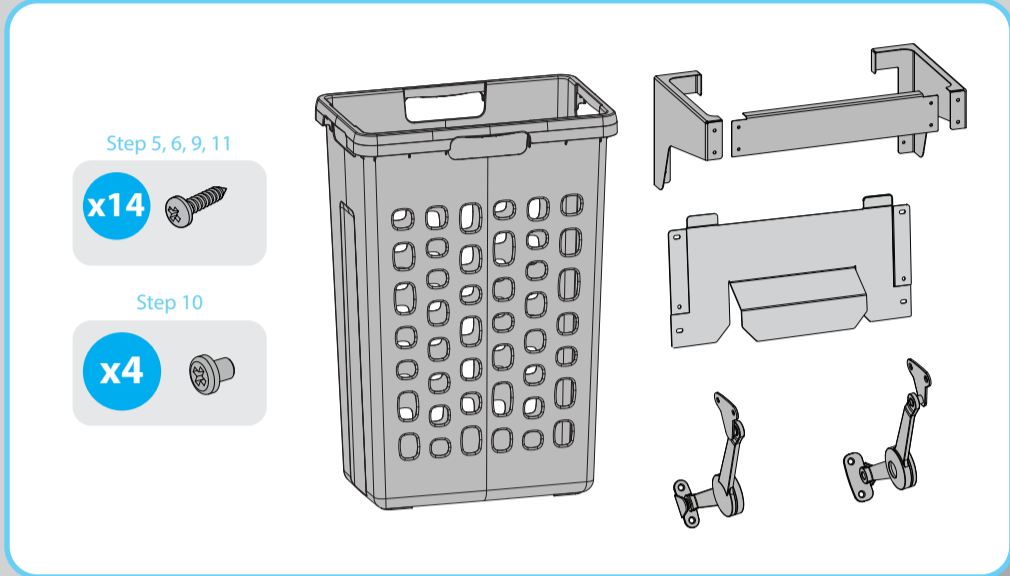
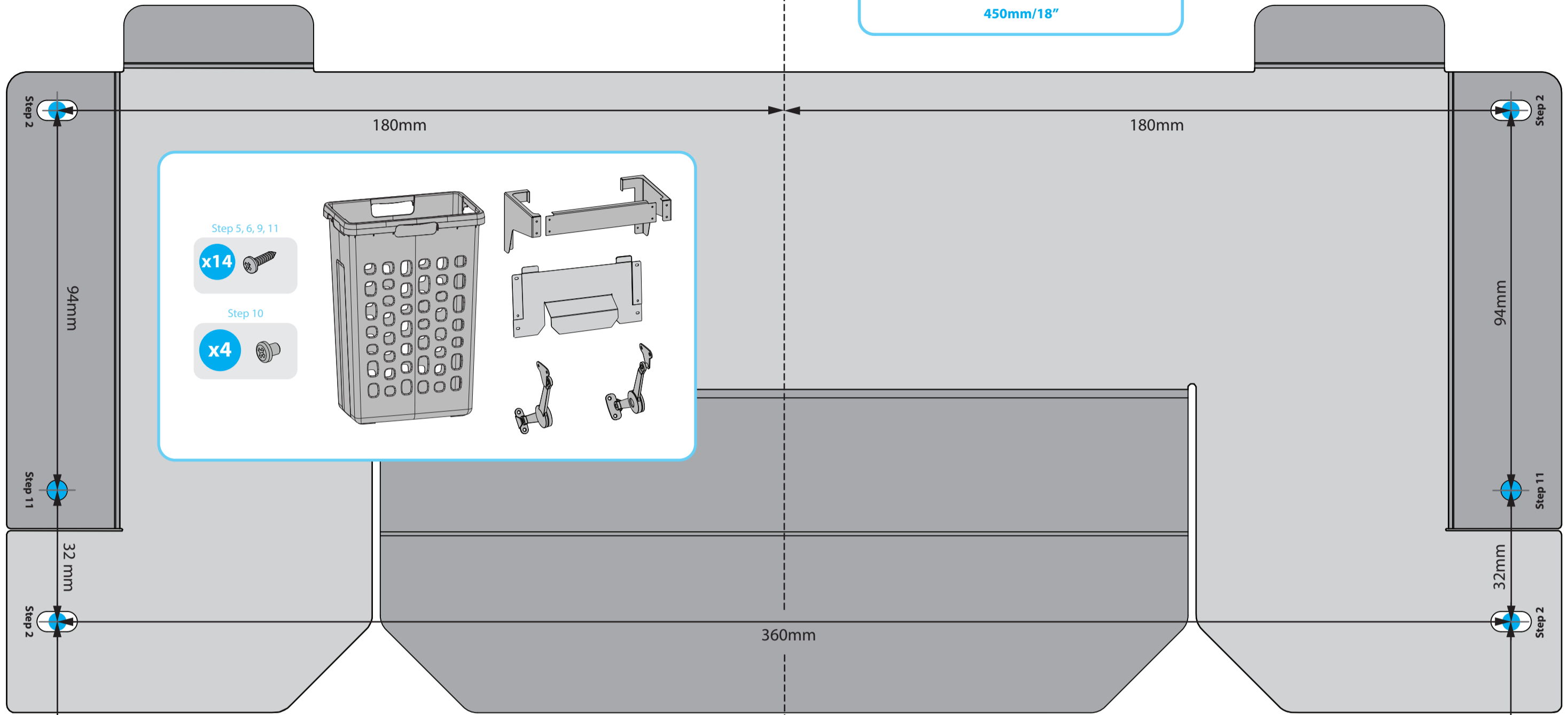
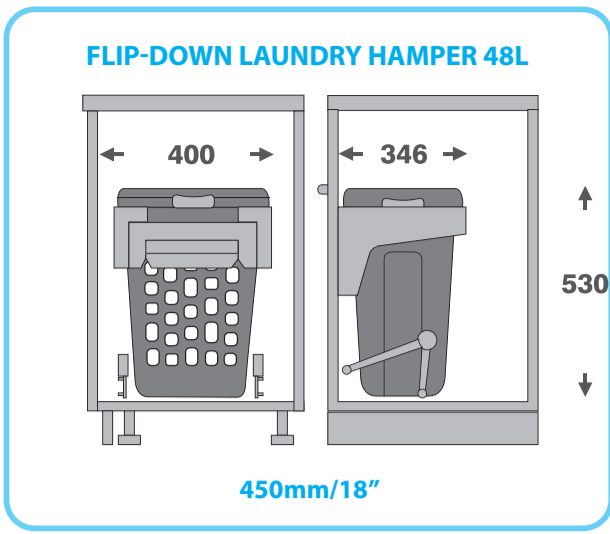


# MARATHON

HARDWARE



**1**

Use Template to mark and drill arm holes on the Left and Right sides of the cabinet.

**2**

Measure the centre of door. Use Template to mark the bin tray holes.

**3**

Use Template to mark arm holes on the door.

**4**

Drill 4x bin tray and 4x arm mount holes in the door.

**5**

Screw bin tray bracket to the door.

**6**

Screw both soft close arms to the door.

**7**

Mount the hinges to the door and cabinet according to the manufacturers instructions (hinges not supplied)

**8**

Make Door adjustments using the lower hinges.

**9**

Screw both soft close arms to cabinet

**10**

Assemble bin tray parts.

**11**

Insert bin tray and screw to the door.

**12**

Insert basket into into the tray. Install bumper assembly inside top right corner of cabinet.

