

FLIP DOWN LAUNDRY HAMPER

Technical Specifications & Assembly

M-Series Laundry Hamper

Product Features

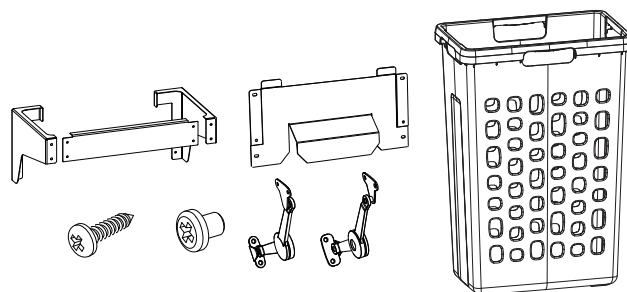


M-Series flip down / tilt out laundry hampers are a convenient laundry storage solution for shallow base cabinets in laundry rooms and closets. This single bin application offers homeowners the choice of a 35L or 48L storage bin with breathable design and integrated handles. The easy-to-remove bin design makes this laundry storage solution perfect for reducing the hassle often associated with laundry day.

- Tailored for slab or shaker style doors with a nominal size of 18"
- Minimal depth for shallow base cabinets in laundry rooms and closets
- Easily removable baskets with breathable design and integrated handles
- Two size baskets: 35L or 48L
- Full size positioning template included
- Load capacity: 10 kg (22 lbs)

What's In the Box - Tilt-out (04-LHF)

- Bin
- Tray
- Screws
- Rails
- Runners
- Brackets

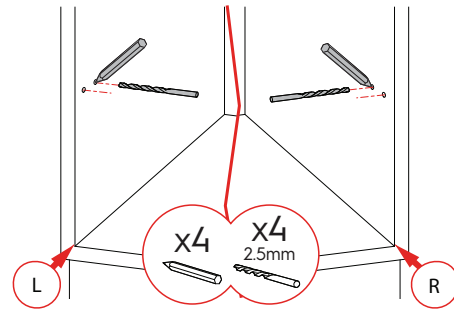
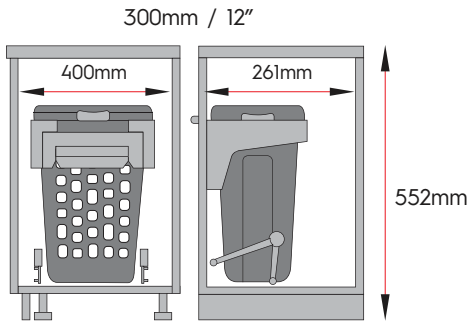


M-Series Flip Down Laundry Hamper Ordering Guide

Part #	Cabinet Width	Capacity	W x H x D mm
04-LHF450-35-W	450mm (17 ¾")	35L	400 x 552 x 261
04-LHF450-48-W	450mm (17 ¾")	48L	400 x 530 x 346

M-Series Flip Down Laundry Hamper Dimensions

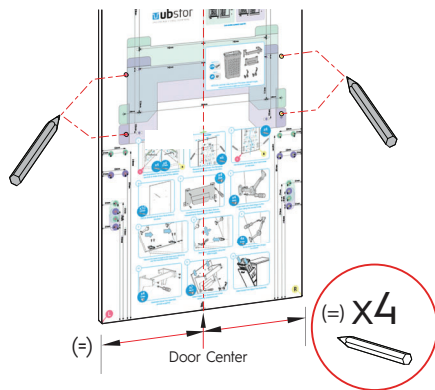
Step #1



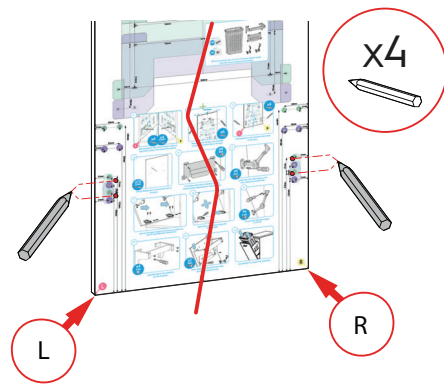
Use template to mark and drill arm holes on the Left and Right sides of the cabinet.

Step #2

Step #3



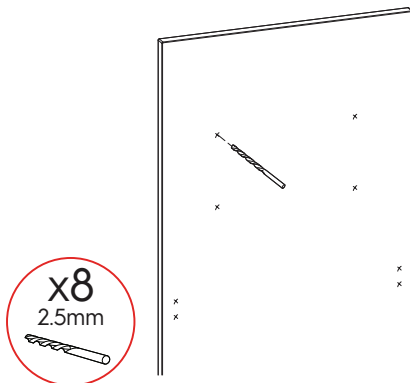
Measure the centre of door. Use template to mark the bin tray holes.



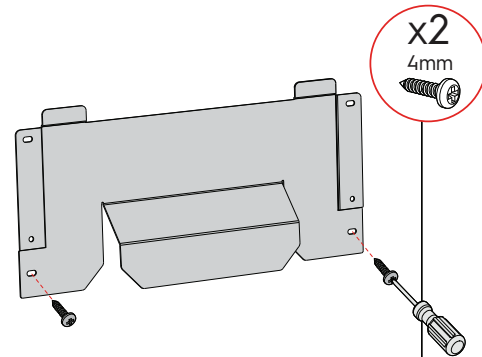
Use template to mark arm holes on the door.

Step #4

Step #5

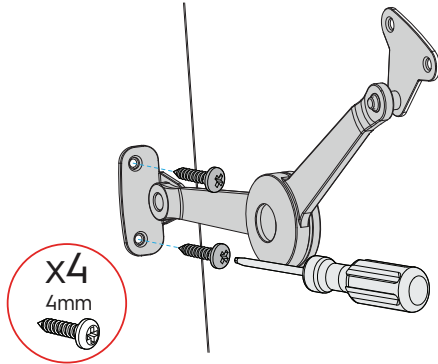


Drill 4x bin tray and 4x arm mount holes in the door.



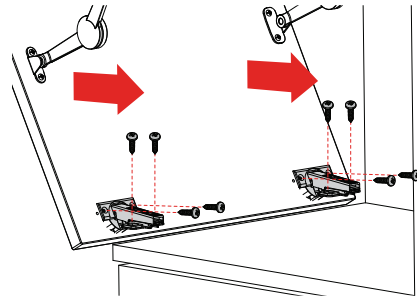
Screw bin tray bracket to the door.

Step #6



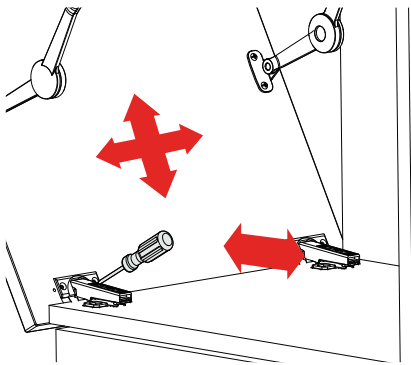
Screw both soft close arms to the door.

Step #7



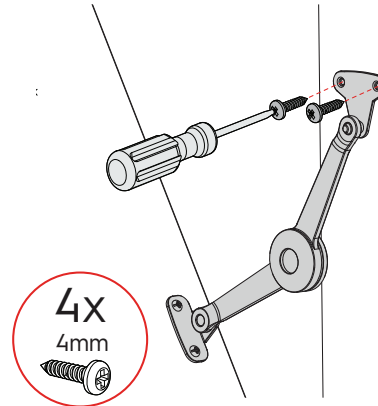
Mount the hinges to the door and cabinet according to the manufacturers instructions (hinges not supplied).

Step #8



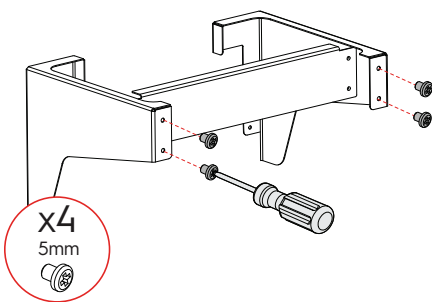
Make door adjustments using the lower hinges.

Step #9



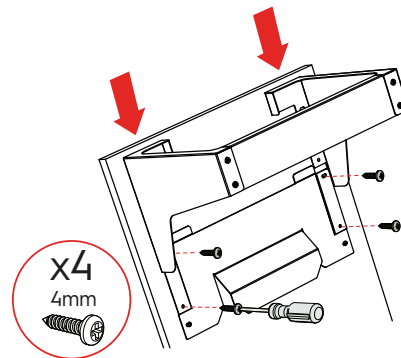
Screw both soft close arms to cabinet.

Step #10



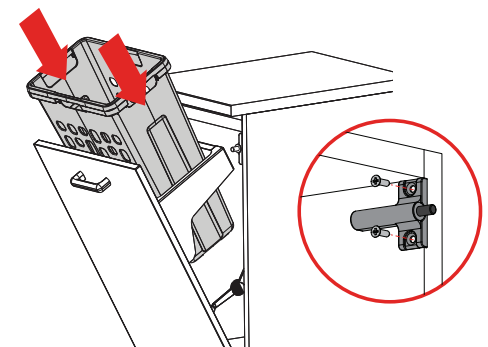
Assemble bin tray parts.

Step #11



Insert bin tray and screw to the door.

Step #10



Insert basket into into the tray. Install bumper assembly inside corner of cabinet. (Sold separately)