

Straight Open Pantry



Product Features

Straight Open Pantry storage solution available in different heights and widths to suit your cabinet design. This pantry storage product features our reversible compact board bottoms with two colour choices - arctic white and anthracite grey .

- Soft-close with full-extension
- Reversible two colour bottoms
- Two cabinet widths available: 300 or 400mm (12" or 16")
- Three adjustable heights supporting a wide range of installations
- Load capacity: 60kg (132lbs)

Short Frame with 4 Baskets

	Description	Part#
W x H x D	247 x 1289 - 1480 x 510mm x (9 3/4 x 50 3/4 - 58 1/4 x 20 1/6")	041-HA131-GW
W x H x D	340 x 1289 - 1480 x 510mm x (13 3/8 x 50 3/4 - 58 1/4 x 20 1/6")	041-HA141-GW

Medium Frame with 5 Baskets

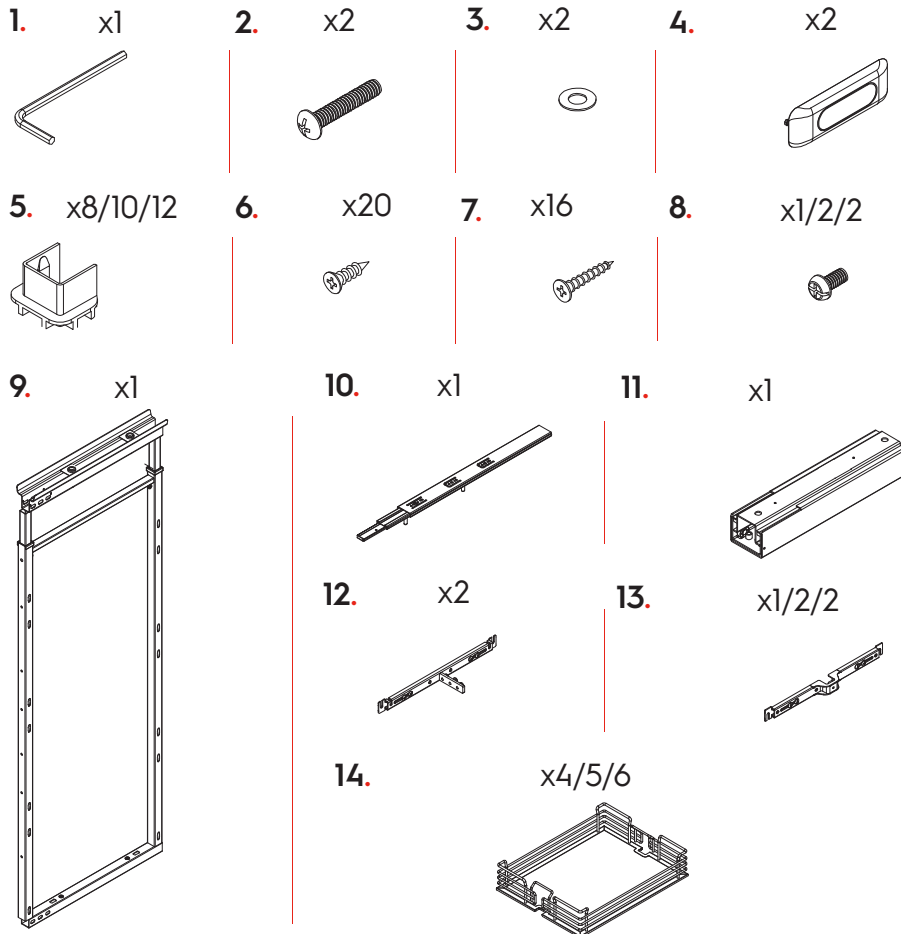
	Description	Part#
W x H x D	247 x 1480 - 1670 x 510mm x (9 3/4 x 58 1/4 - 65 3/4 x 20 1/6")	041-HB131-GW
W x H x D	340 x 1480 - 1670 x 510mm x (13 3/8 x 58 1/4 - 65 3/4 x 20 1/6")	041-HB141-GW

Tall Frame with 6 Baskets

	Description	Part#
W x H x D	247 x 1870 - 2170 x 510mm x (9 3/4 x 73 5/8 - 85 3/8 x 20 1/6")	041-HC131-GW
W x H x D	340 x 1870 - 2170 x 510mm x (13 3/8 x 73 5/8 - 85 3/8 x 20 1/6")	041-HAC41-GW



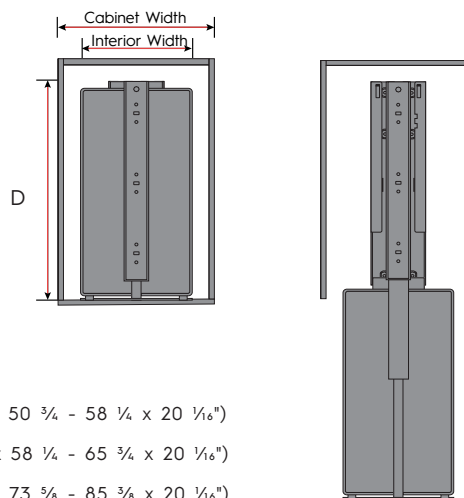
What's In The Box



Minimum Interior Cabinet Dimensions

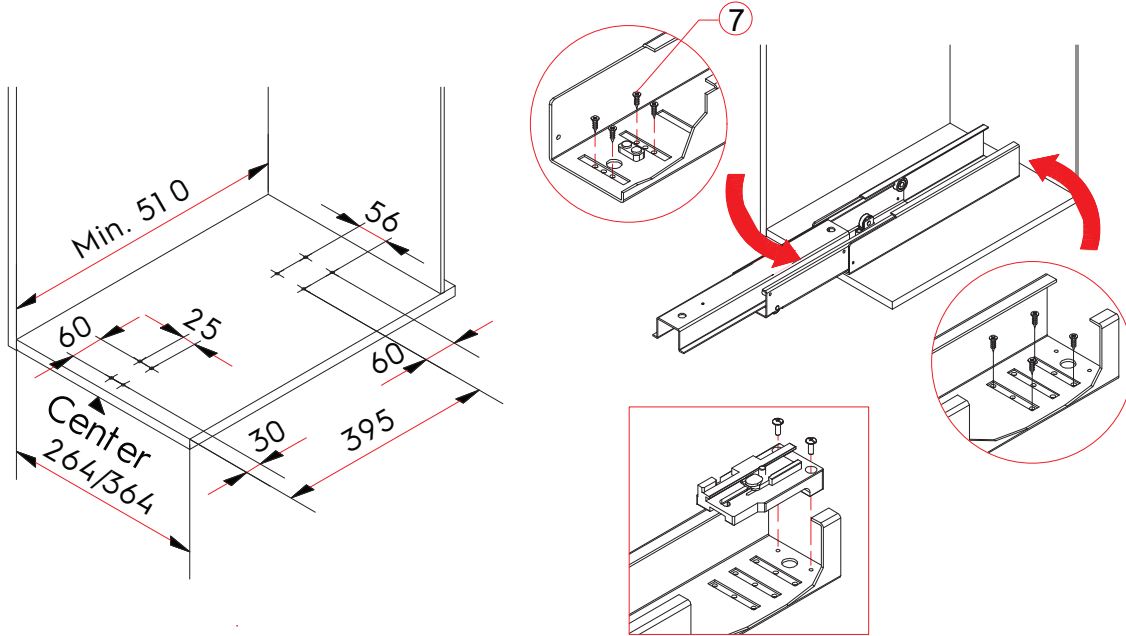
Cabinet Width	Interior Width(IW)
300mm (12")	247mm (9 3/4")
400mm (16")	340mm (13 3/8")

W x H x D	IW x 1289 - 1480 x 510mm (IW x 50 3/4 - 58 1/4 x 20 1/16")
W x H x D	IW x 1480 - 1670 x 510mm (IW x 58 1/4 - 65 3/4 x 20 1/16")
W x H x D	IW x 1870 - 2170 x 510mm (IW x 73 5/8 - 85 3/8 x 20 1/16")

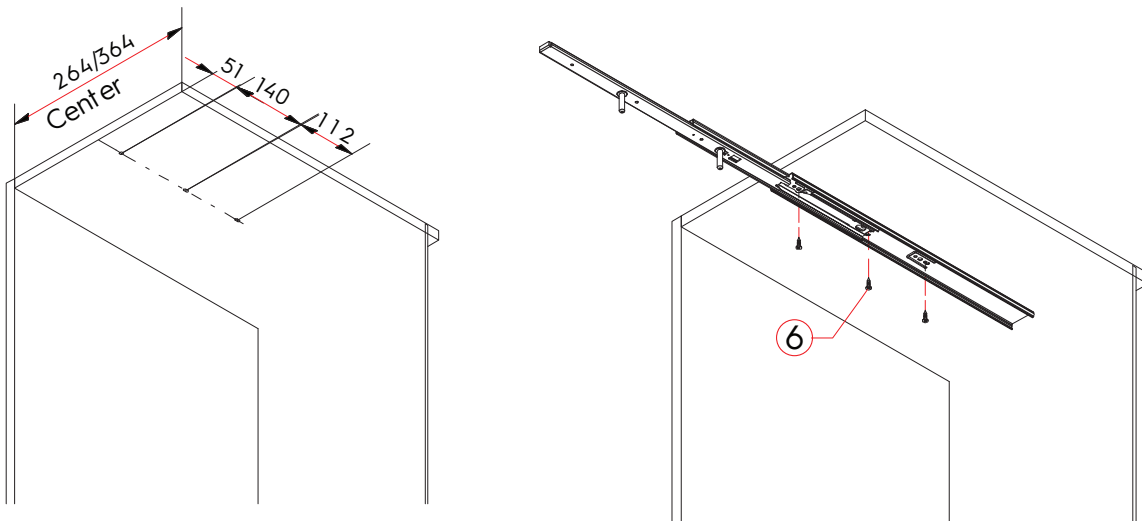




Bottom Slide Installation

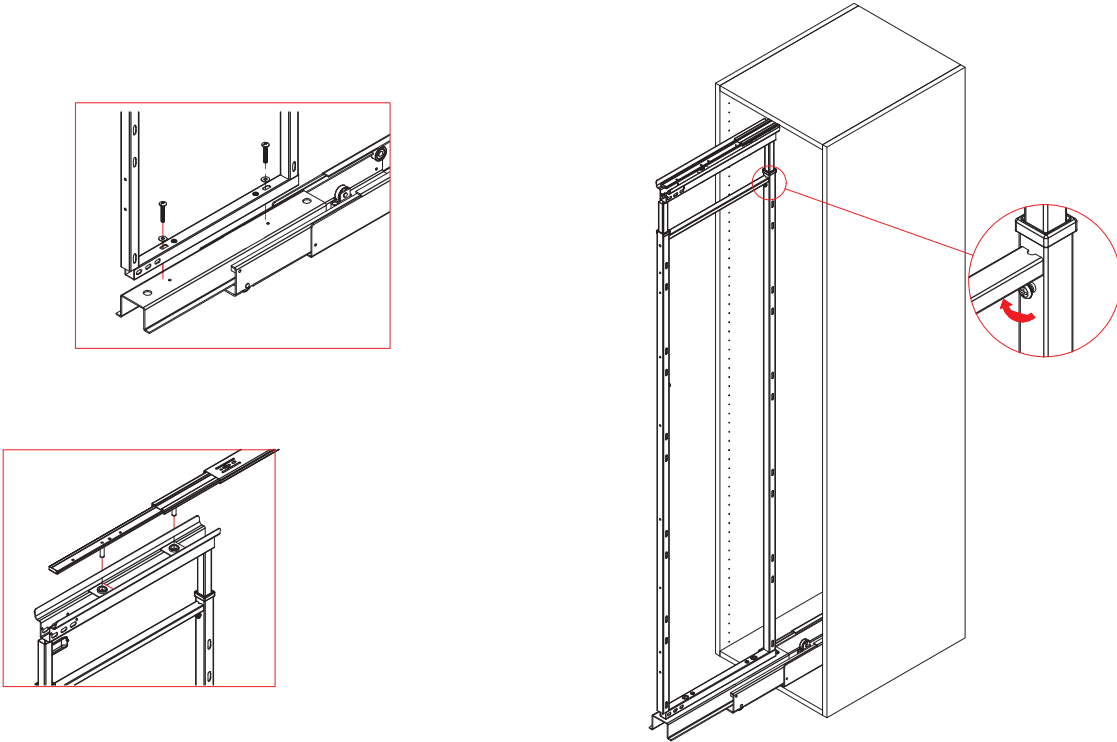


Top Slide Installation

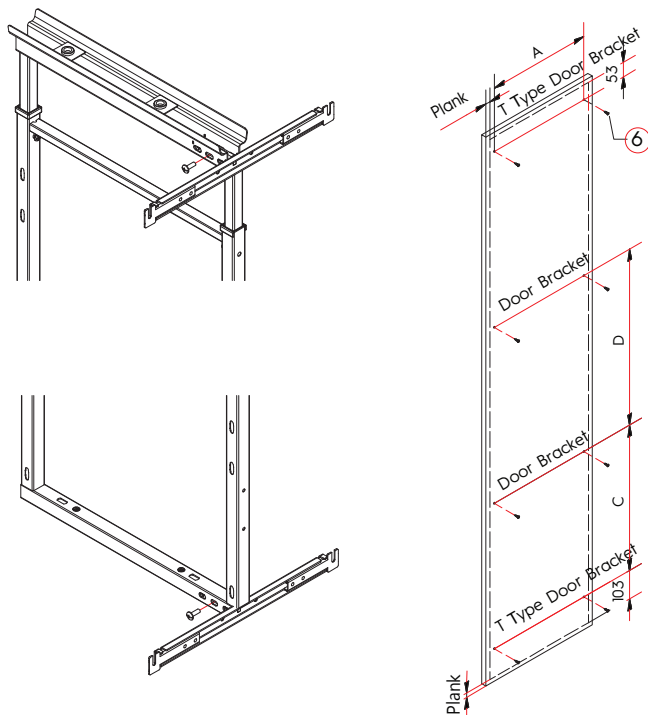




Frame Installation

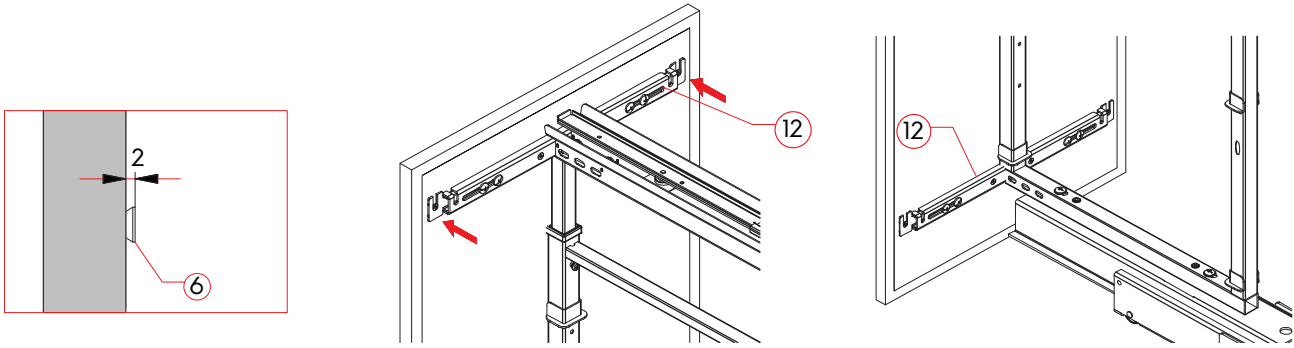


Fix Bracket

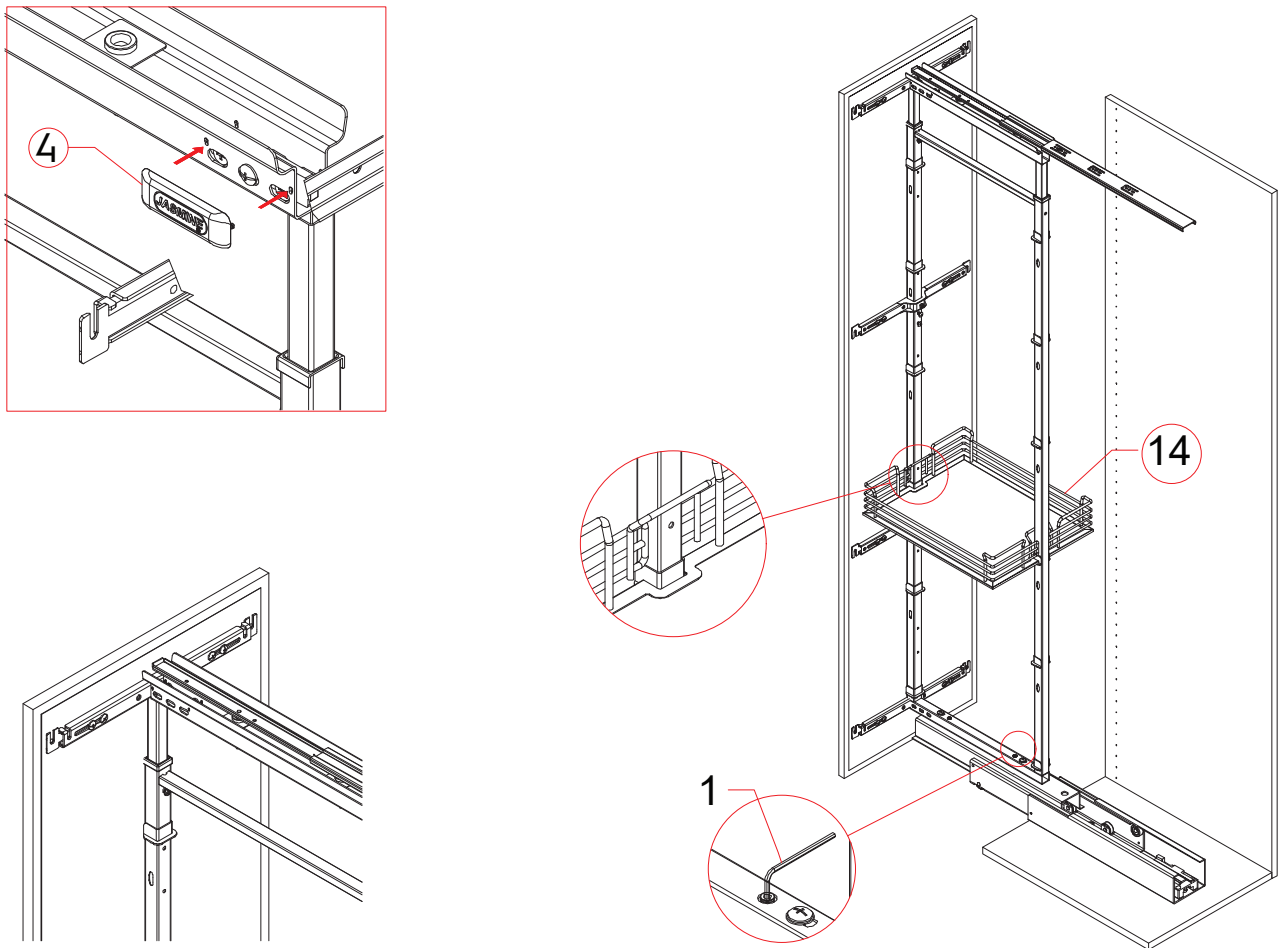




Door Bracket Installation

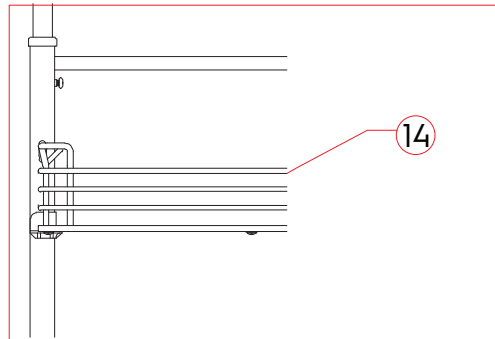
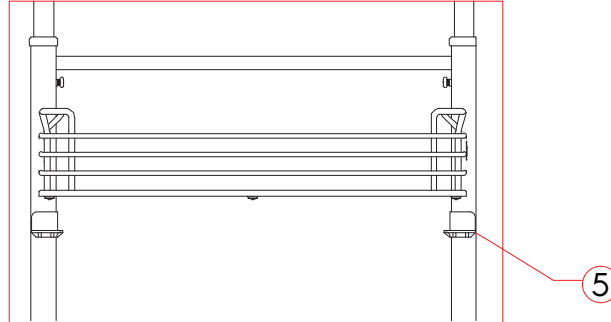


Basket Adjustment





Basket Installation



Door Mount Bracket

