

Galaxy Pantry System



Product Features

The Galaxy Pantry System is a premium quality pantry pullout available in a range of heights and widths, including full-extension, soft-close slides. Two basket finishes Anthracite Grey and White / Chrome - to match or compliment cabinet interiors.

- Full-extension, soft-close slides
- Multiple basket widths support different cabinet widths
- Adjustable height frames suit a wide range of tall cabinets
- Door brackets includes 6-way adjustment
- Anti-slip melamine bottom baskets are TSCA Title VI compliant
- Load capacity: 120kg (265lbs)

Adjustable Height Frame, sold as frame and slides

Description	Finish	Part#
W x H x D 108 x 1060 - 1460 x 487mm (4 ¼ x 41 ¾ - 57 ½" x 19 ⅛")	Anthracite Grey	041-VGSF1205-AG
W x H x D 108 x 1060 - 1460 x 487mm (4 ¼ x 41 ¾ - 57 ½" x 19 ⅛")	Light Grey	041-VSF1204-GCFTM
W x H x D 108 x 1460 - 1860 x 487mm (4 ¼ x 57 ½ - 73 ¼" x 19 ⅛")	Anthracite Grey	041-VGSF1605-AG
W x H x D 108 x 1460 - 1860 x 487mm (4 ¼ x 57 ½ - 73 ¼" x 19 ⅛")	Light Grey	041-VSF1604-GCFTM
W x H x D 108 x 1760 - 2160 x 487mm (4 ¼ x 69 ⅝ - 85 ⅞" x 19 ⅛")	Anthracite Grey	041-VGSF1905-AG
W x H x D 108 x 1760 - 2160 x 487mm (4 ¼ x 69 ⅝ - 85 ⅞" x 19 ⅛")	Light Grey	041-VSF1904-GCFTM
W x H x D 108 x 1960 - 2400 x 487mm (4 ¼ x 77 ¾ - 94 ½" x 19 ⅛")	Anthracite Grey	041-VGSF2105-AG
W x H x D 108 x 1960 - 2400 x 487mm (4 ¼ x 77 ¾ - 94 ½" x 19 ⅛")	Light Grey	041-VSF2104-GCFTM

Elliptical Wire Anti-Slip, sold per each w/ clip-on fittings

Description	Finish	Part#
W x H x D 96 x 93 x 412mm (3 ¾" x 3 ⅞" x 16 ¼")	Anthracite Grey	041-VGBF90-AG
W x H x D 96 x 93 x 412mm (3 ¾" x 3 ⅞" x 16 ¼")	White & Chrome	041-VGBF90-WHC
W x H x D 246 x 93 x 412mm (9 ⅞" x 3 ⅞" x 16 ¼")	Anthracite Grey	041-VGBF240-AG
W x H x D 246 x 93 x 412mm (9 ⅞" x 3 ⅞" x 16 ¼")	White & Chrome	041-VGBF240-WHC
W x H x D 346 x 93 x 412mm (13 ⅝" x 3 ⅞" x 16 ¼")	Anthracite Grey	041-VGBF340-AG
W x H x D 346 x 93 x 412mm (13 ⅝" x 3 ⅞" x 16 ¼")	White & Chrome	041-VGBF340-WHC



Elliptical Wire Anti-Slip, sold per each w/ clip-on fittings

Description	Finish	Part#
W x H x D 396 x 93 x 412mm (15 5/8" x 3 1/8" x 16 1/4")	Anthracite Grey	041-VGBF390-AG
W x H x D 396 x 93 x 412mm (15 5/8" x 3 1/8" x 16 1/4")	White & Chrome	041-VGBF390-WHC
W x H x D 446 x 93 x 412mm (17 5/8" x 3 1/8" x 16 1/4")	Anthracite Grey	041-VGBF440-AG
W x H x D 446 x 93 x 412mm (17 5/8" x 3 1/8" x 16 1/4")	White & Chrome	041-VGBF440-WHC
W x H x D 546 x 93 x 412mm (21 1/2" x 3 1/8" x 16 1/4")	Anthracite Grey	041-VGBF540-AG
W x H x D 546 x 93 x 412mm (21 1/2" x 3 1/8" x 16 1/4")	White & Chrome	041-VGBF540-WHC

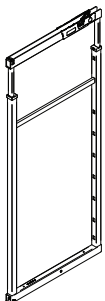
Door Bracket and Screws Kit

Description	Finish	Part#
W x H 100 x 53 (3 7/8" x 2 1/8")	Anthracite Grey	041-VGBR100-AG
W x H 100 x 53 (3 7/8" x 2 1/8")	White & Chrome	041-VGBR100
W x H 250 x 45 (9 7/8" x 1 3/4")	Anthracite Grey	041-VGBR250-AG
W x H 250 x 45 (9 7/8" x 1 3/4")	White & Chrome	041-VGBR250
W x H 350 x 45 (13 3/4" x 1 3/4")	Anthracite Grey	041-VGBR350-AG
W x H 350 x 45 (13 3/4" x 1 3/4")	White & Chrome	041-VGBR350
W x H 400 x 45 (15 3/4" x 1 3/4")	Anthracite Grey	041-VGBR400-AG
W x H 400 x 45 (15 3/4" x 1 3/4")	White & Chrome	041-VGBR400
W x H 450 x 45 (17 3/4" x 1 3/4")	Anthracite Grey	041-VGBR450-AG
W x H 450 x 45 (17 3/4" x 1 3/4")	White & Chrome	041-VGBR450
W x H 550 x 45 (21 5/8" x 1 3/4")	Anthracite Grey	041-VGBR550-AG
W x H 550 x 45 (21 5/8" x 1 3/4")	White & Chrome	041-VGBR550

What's In The Box

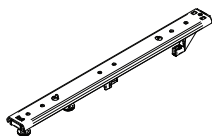
1.

x1



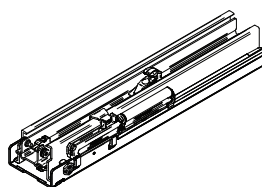
2.

x1



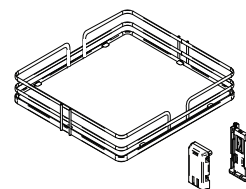
3.

x1



4.

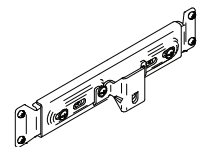
x1



Sold separately

5.

x1

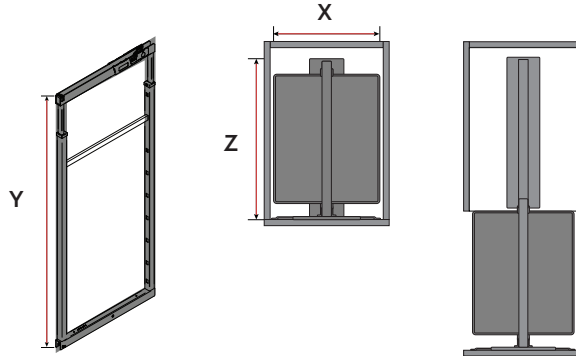


Sold separately

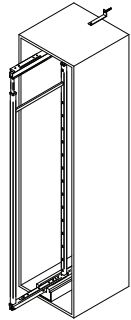


Minimum Interior Cabinet Dimensions

X	Y	Z (mm)
100	1070	x 487
250	1470	
350	1770	
400	1970	
450		
550		

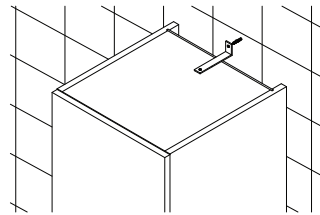


Step #1

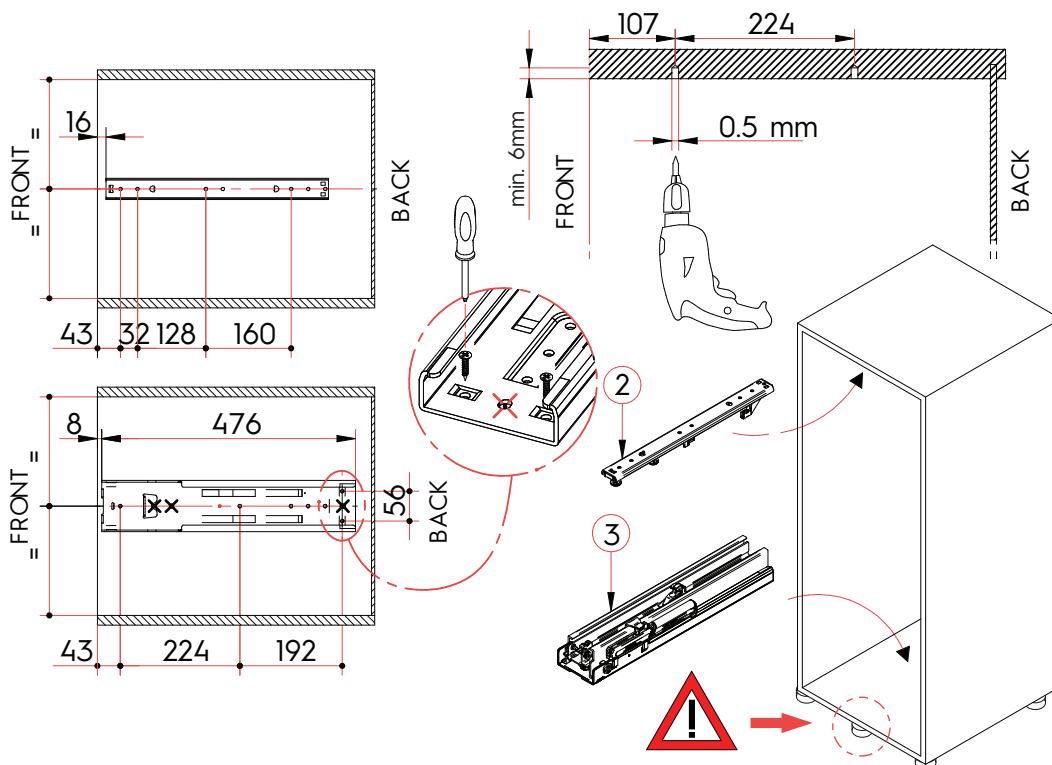


ATTENTION!!

THE LARDER UNIT
MUST BE FIXED TO
THE WALL AS
DESCRIBED HERE
BESIDE

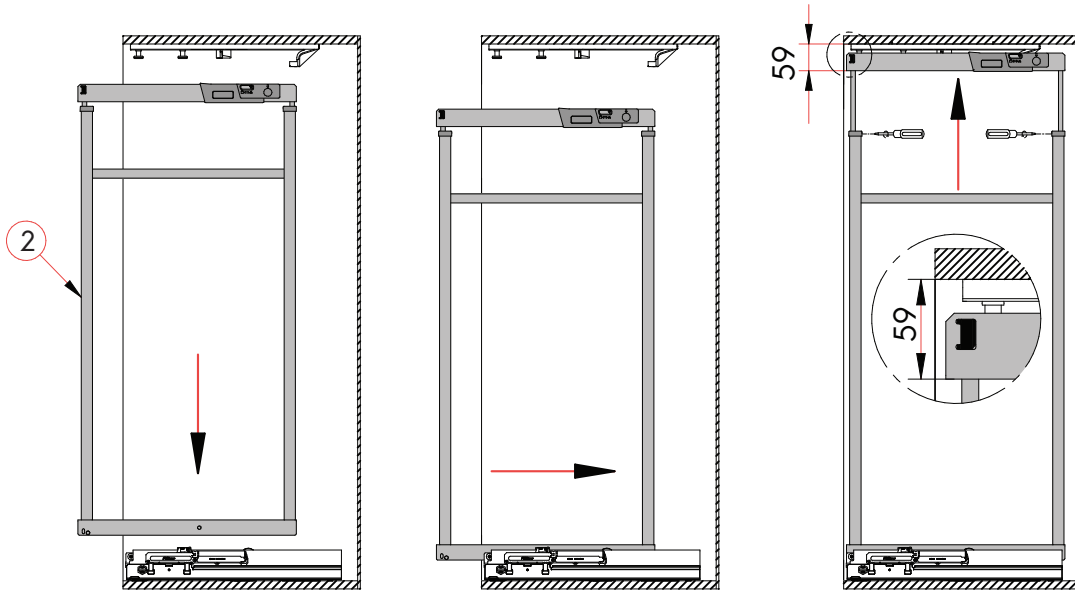


Step #2

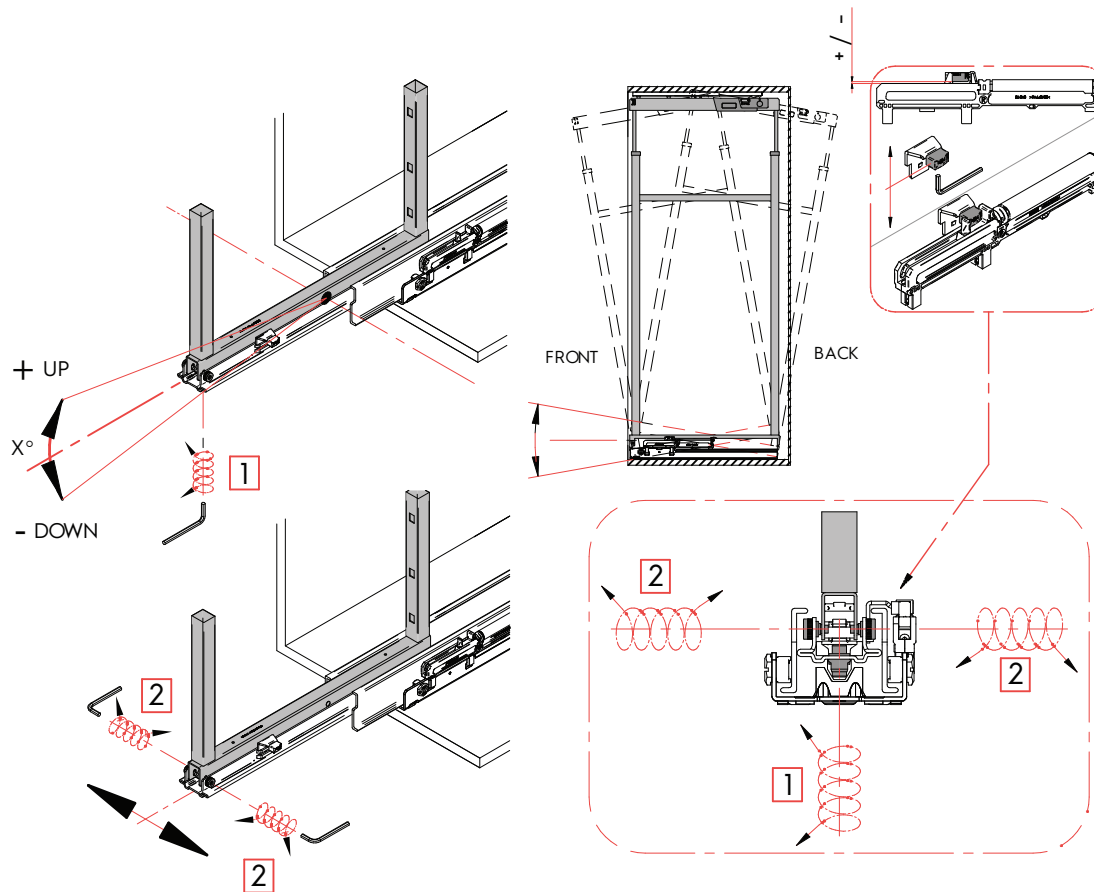




Step #3



Step #4





Step #5

