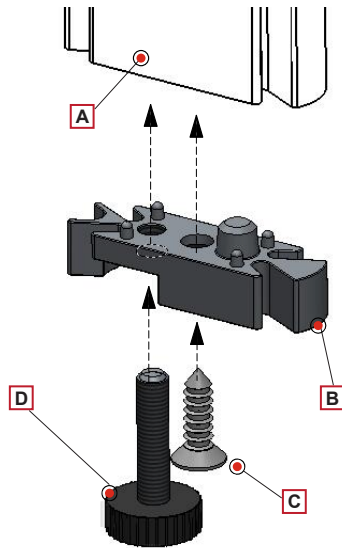


## Adjustable Leveling Leg Installation



- A** x 1 Slim 3m metal profile
- B** x 1 Metal intermediate foot
- C** Self-tapping screws Ø5.5
- D** Adjustable Leveling Leg

1. Insert anti-scratch **E** on its seat.
2. Fasten the shelf holder **A** with **B** with screws **F** on the vertical style after setting them just over the shelf
3. Make sure the two shelf holder **A** and **B** are completely closed against each other without opening.
4. Finally mount the shelf on the shelf holder **A** and **B** and fix it with screws

### Eureka SLIM Adjustable Leveling Legs

Item Description	Part#
Anodized Aluminum	035-3523-AN
Matte Black	035-3523-MB

